



A TEREX BRAND

## **Parts Manual**

Serial Number Range

**GTH-5519**

from SN GTH55M-11700

Part No. 1299880GT  
Rev: B.04  
November 2023

---

## Technical Publications

Genie has endeavored to deliver the highest degree of accuracy possible. However, continuous improvement of our products is a Genie policy. Therefore, product specifications are subject to change without notice.

Readers are encouraged to notify Genie of errors and send in suggestions for improvement. All communications will be carefully considered for future printings of this and all other manuals.

---

## Contact Us:

Internet: [www.genielift.com](http://www.genielift.com)  
e-mail: [awp.techpub@terex.com](mailto:awp.techpub@terex.com)

---

## Find a Manual for this Model

Go to <http://www.genielift.com>


Use the links to locate Operator's, Parts, Maintenance, and Service and Repair Manuals.

---

Copyright © 2019 by Terex Corporation

1299880GT Rev B.04 November 2023  
First Edition, Second Printing

Genie and "GTH" are registered trademark of Terex South Dakota, Inc. in the USA and many other countries.

 Printed on recycled paper

**Genie**  
A TEREX BRAND

MODEL: xxx-xxxx  
SERIAL NUMBER: GTH55M-11700

ATTACHMENT:  
MANUFACTURE DATE: xx/xx/xxxx  
TOTAL TRUCK WEIGHT(LBS): xxxx kg  
MAX LIFT CAPACITY(LBS): xxxx LBS  
TRANSMISSION TYPE: x

LIFT CAPACITY(LBS)  
AT MAX LIFT HEIGHT: xxxx LBS  
OUTRIGGERS UP: xx  
OUTRIGGERS DOWN: xx

COUNTRY OF MANUFACTURE: Italy

MANUFACTURER:  
TEREX Global GmbH  
Muhlenstrasse 26  
8200 - Schaffhausen  
Switzerland

THIS FORKLIFT TRUCK COMPLIES WITH:  
ANSI/ITSDF B56.6-2011  
CSA B335-04

GTH55 M - 11700

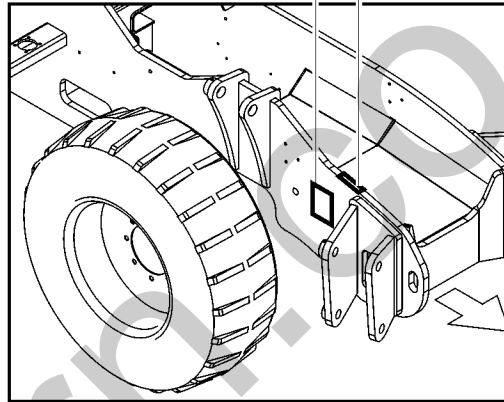
1

2

3

5

4



**Machine data plate**

(On machines destined for the Italian market, the machine data plate is installed in the driving cab, on the right, and is well-visible when the door is opened. On the machines destined for foreign markets, the data plate is applied on the front right side of the chassis)

**1 Model**

**2 Facility code**

**3 Sequence number**

**4 Serial number (stamped on chassis)**

**5 Serial label**

## How to Order Parts

Please be prepared with the following information when ordering replacement parts for your Terex or Genie product.

- Machine model number
- Machine serial number
- Part number
- Part description and quantity
- Purchase order number
- "Ship to" address
- Desired method of shipment
- Name and telephone number of the authorized distributor in your area

Use the Service Parts Fax Order Form on the next page and fax your order to our Parts Department.

If you don't know the name of your authorized distributor, or if your area is not currently serviced by an authorized distributor, please call Terex or Genie Industries.

## Machine Information

\_\_\_\_\_

Model

\_\_\_\_\_

Serial Number

\_\_\_\_\_

Date of Purchase

\_\_\_\_\_

Authorized Genie Distributor

\_\_\_\_\_

Phone Number

### North America

Telephone (425)881-1800

Toll Free (800)536-1800 in US and Canada

Fax (425)556-8659

Toll Free fax (888)274-6192

Email [AWP.PartsSalesPO@terex.com](mailto:AWP.PartsSalesPO@terex.com)

<http://genielift.com/en>

### EMEAR (Europe, Middle East, Africa and Russia)

Telephone (31)(165)519 313

Fax (31)(165)511 148

<http://genielift.co.uk>

### Asia Pacific (Genie Singapore)

Telephone +65 6692 7777

Fax +65 6261 8893

<http://genielift.com.sg/>

### Australia

Telephone (61)(7)3456 4444

Fax (61)(7)3456 4466

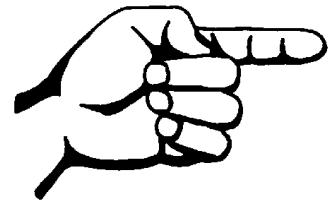
<http://genielift.com.au>

### South America

Telephone (55)(11)4082 5600

Fax (55)(11)4082 5630

Please refer to section 001 for the Recommended  
Spare Parts List.



This page intentionally left blank.



### Service Parts Fax Order Form

Fax to: (425) 556-8659 or Toll Free: 888-274-6192  
International: +1-425-556-8659

**Please fill out completely**

Date _____	Account Number _____
Your Name _____	Your Fax Number _____
_____	Your Phone Number _____
Bill To _____	Ship To _____
_____	_____
_____	_____
Purchase Order Number _____	Ship Via _____

Model(s) \_\_\_\_\_ Serial No.(s) \_\_\_\_\_

Optional Equipment \_\_\_\_\_

Part Number	Description	Quantity	Price

All back-ordered parts will be shipped when available via the same ship method as the original order unless Noted below:

- Ship complete order only - No back orders
- Ship all available parts and contact customer on disposition of back-ordered parts
- Other (please specify)

<b>Description</b>	<b>Page</b>
<b>001 Parts Stocking List .....</b>	<b>10</b>
001.1 Parts Stocking List .....	10
<b>100 Decals .....</b>	<b>12</b>
101.1 Decals, View 1 .....	12
102.1 Decals, View 2 .....	16
<b>200 Drive Chassis Components.....</b>	<b>18</b>
201.1 Rear Chassis .....	18
202.1 Left Chassis .....	22
203.1 Right Chassis .....	26
204.1 Hydraulic Oil Tank .....	30
205.1 Drive Chassis And Wheels .....	34
206.1 Front Axle - Differential .....	38
207.1 Front Axle - Pinion Housing .....	42
208.1 Front Axle - Differential Group .....	44
209.1 Front Axle - Piston Group .....	46
210.1 Front Axle - Brake Group .....	48
211.1 Front Axle - RH Steering Wheel Assy .....	50
212.1 Front Axle - LH Steering Wheel Assy .....	52
213.1 Front Axle - Reduction Gearbox .....	54
214.1 Rear Axle - Differential .....	58
215.1 Rear Axle - Pinion Housing .....	62
216.1 Rear Axle - Differential Group .....	64
217.1 Rear Axle - RH Steering Wheel Assy .....	66
218.1 Rear Axle - LH Steering Wheel Assy .....	68
<b>300 Engine Components .....</b>	<b>70</b>
301.1 Cooling System .....	70
302.1 Exhaust System, Injection, Accelerator - Stage IIIB Engine .....	76
303.1 Hydraulic Pumps (to SN GTH55M-15671, Excluded GTH55M-15503, 15549, 15659) .....	80
303.2 Hydraulic Pumps Transmission Type D (from SN GTH55M-15672) .....	86
303.3 Hydraulic Pumps Transmission Type B (from SN GTH55M-15672, Included GTH55M-15503, 15549, 15659) .....	92
<b>400 Cab Components .....</b>	<b>98</b>
401.1 Closed Cab, View 1 .....	98
402.1 Closed Cab, View 2 .....	102
403.1 Open Cab .....	108
404.1 Dashboard, View 1 .....	112
405.1 Dashboard, View 2 .....	116

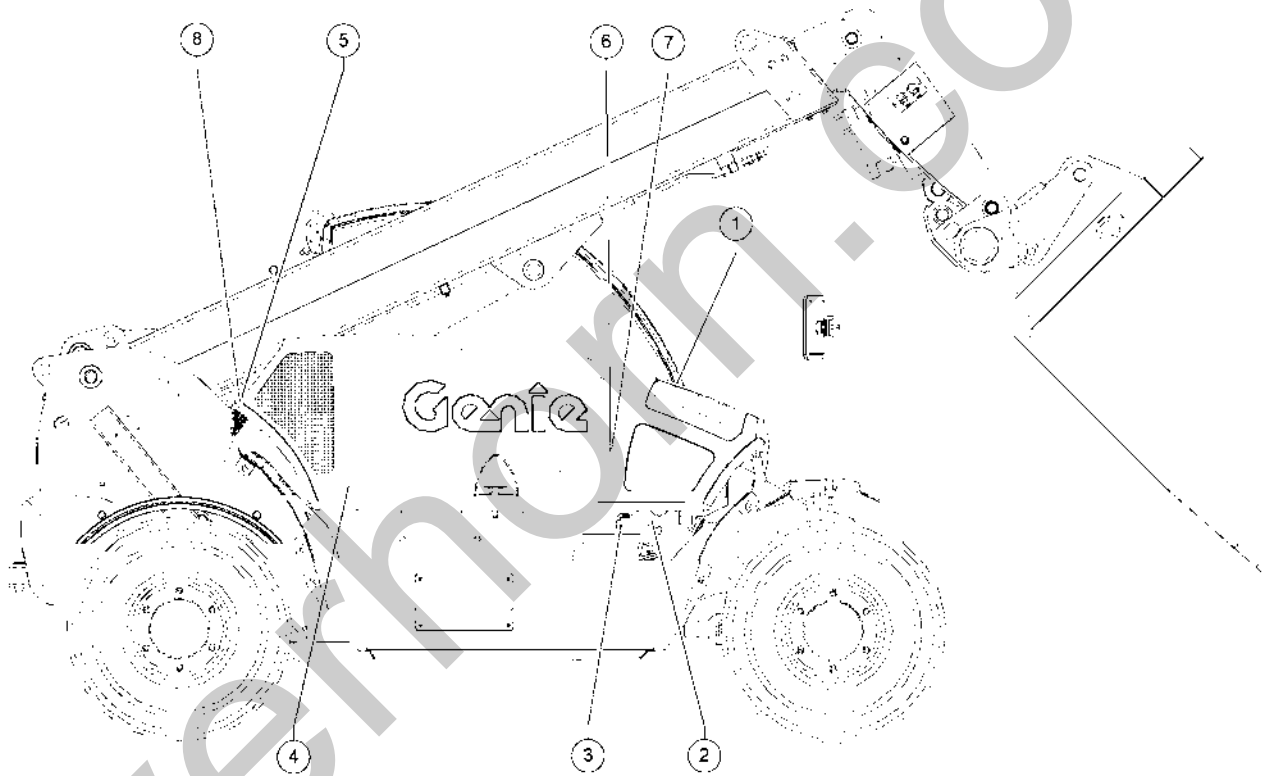
## Table of Contents

<b>Description</b>	<b>Page</b>
406.1 Joystick .....	120
<b>500 Boom Components .....</b>	<b>122</b>
501.1 607932 Boom (1st - 2nd Telescopic Element) .....	122
502.1 607933 Manual Fork Attachments .....	126
503.1 607968 Forks .....	128
504.1 607934 Cylinders .....	130
505.1 607935 First Section Pipes And Clamps .....	132
<b>600 Hydraulic System .....</b>	<b>134</b>
601.1 Valve Block .....	134
602.1 Fork Balancing .....	136
603.1 Auxiliary Circuits .....	138
604.1 Boom Extension .....	140
605.1 Boom Lifting .....	142
606.1 Radiator - IIIB Engine (to SN GTH55M-15671, Excluded GTH55M-15503, 15549, 15659) .....	144
606.2 Radiator - IIIB Engine Transmission Type D (from SN GTH55M-15672) .....	146
606.3 Radiator - IIIB Engine Transmission Type B (from SN GTH55M-15672, Included GTH55M-15503, 15549, 15659) .....	148
607.1 Test Port (to SN GTH55M-15671, Excluded GTH55M-15503, 15549, 15659) .....	150
607.2 Test Port Transmission Type D (from SN GTH55M-15672) .....	152
607.3 Test Port Transmission Type B (from SN GTH55M-15672, Included GTH55M-15503, 15549, 15659) ..	154
608.1 Transmission (to SN GTH55M-15671, Excluded GTH55M-15503, 15549, 15659) .....	156
608.2 Transmission Type D (See Serial Label for transmission Type) (from SN GTH55M-15672) .....	158
608.3 Transmission Type B (from SN GTH55M-15672, Included GTH55M-15503, 15549, 15659) .....	160
609.1 Hydraulic Piloting Line Main Valve .....	164
610.1 Joystick .....	166
611.1 Power Steering System .....	168
612.1 Brake System (to SN GTH55M-14915) .....	172
612.2 Brake System (from SN GTH55M-14916 to GTH55M-15187) .....	174
612.3 Brake System (from SN GTH55M-15188) .....	178
613.1 Main Valve .....	180
<b>700 Electric Installation .....</b>	<b>182</b>
701.1 Fuse Box .....	182
702.1 Wirings - View 1 .....	184
703.1 Wirings - View 2 (to SN GTH55M-15671, Excluded GTH55M-15503, 15549, 15659) .....	186
703.2 Wirings - View 2 Transmission Type D (from SN GTH55M-15672) .....	188
703.3 Wirings - View 2 Transmission Type B (from SN GTH55M-15672, Included GTH55M-15503, 15549, 15659) ..	190
704.1 Wirings - View 3 (to SN GTH55M-15671, Excluded GTH55M-15503, 15549, 15659) .....	192
704.2 Wirings - View 3 Transmission Type D (from SN GTH55M-15672) .....	194



<b>Description</b>	<b>Page</b>
704.3 Wirings - View 3 Transmission Type B (from SN GTH55M-15672, Included GTH55M-15503, 15549, 15659)	196
<b>800 Optionals</b> .....	<b>198</b>
801.1 Cab Heater .....	198
802.1 Hydraulic Quick Coupling And 1 Aux Circuit (Electric Part) .....	200
803.1 Hydraulic Quick Coupling And 1 Aux Circuit (Hydraulic Part) .....	202
804.1 Work Lights .....	206
805.1 Road Lights - Part 1 .....	208
806.1 Road Lights - Part 2 .....	210
807.1 Front Protection Grid .....	212
808.1 Rear Proximity Alarm .....	214
809.1 Air Conditioning - Part 1 .....	216
810.1 Air Conditioning - Part 2 .....	220
811.1 Air Conditioning - Part 3 .....	222
812.1 Access Manager Option .....	224
<b>Part Number Index</b> .....	<b>226</b>

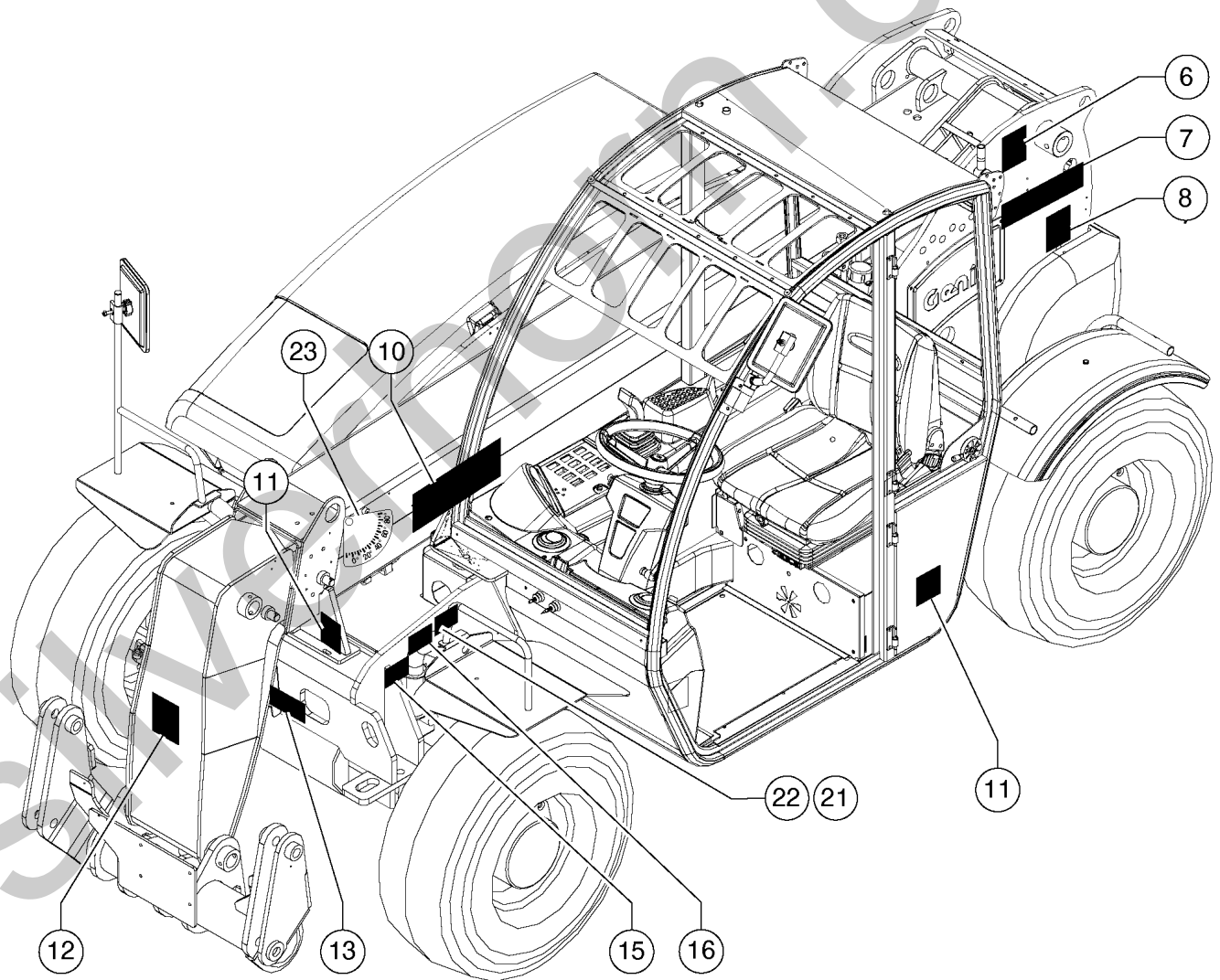
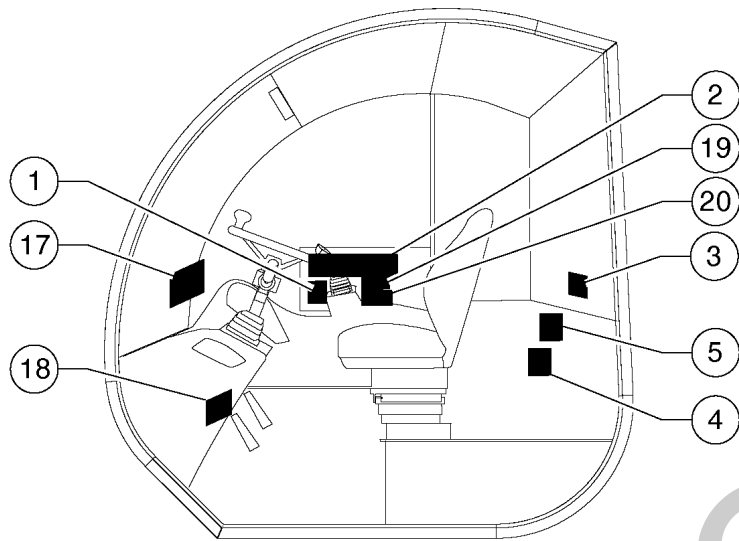
001.1 Parts Stocking List



<i>Item</i>	<i>Part No.</i>	<i>Description</i>	<i>Qty.</i>
1	57.0009.0808GT	OPERATOR'S MANUAL .....	
2	214228GT	FILTER, FUEL SPIN-ON, DEUTZ .....	
3	07.4501.0285GT	FUEL PRE-FILTER .....	
4	07.4501.0067GT	FILTER,OIL .....	
5	07.0700.0023GT	OIL FILTER,CARTRIDGE .....	
6	07.0700.0040GT	Main Air Filter Element .....	
7	07.0700.0041GT	Secondary Air Filter Element .....	
8	09.4604.0073GT	Filter .....	

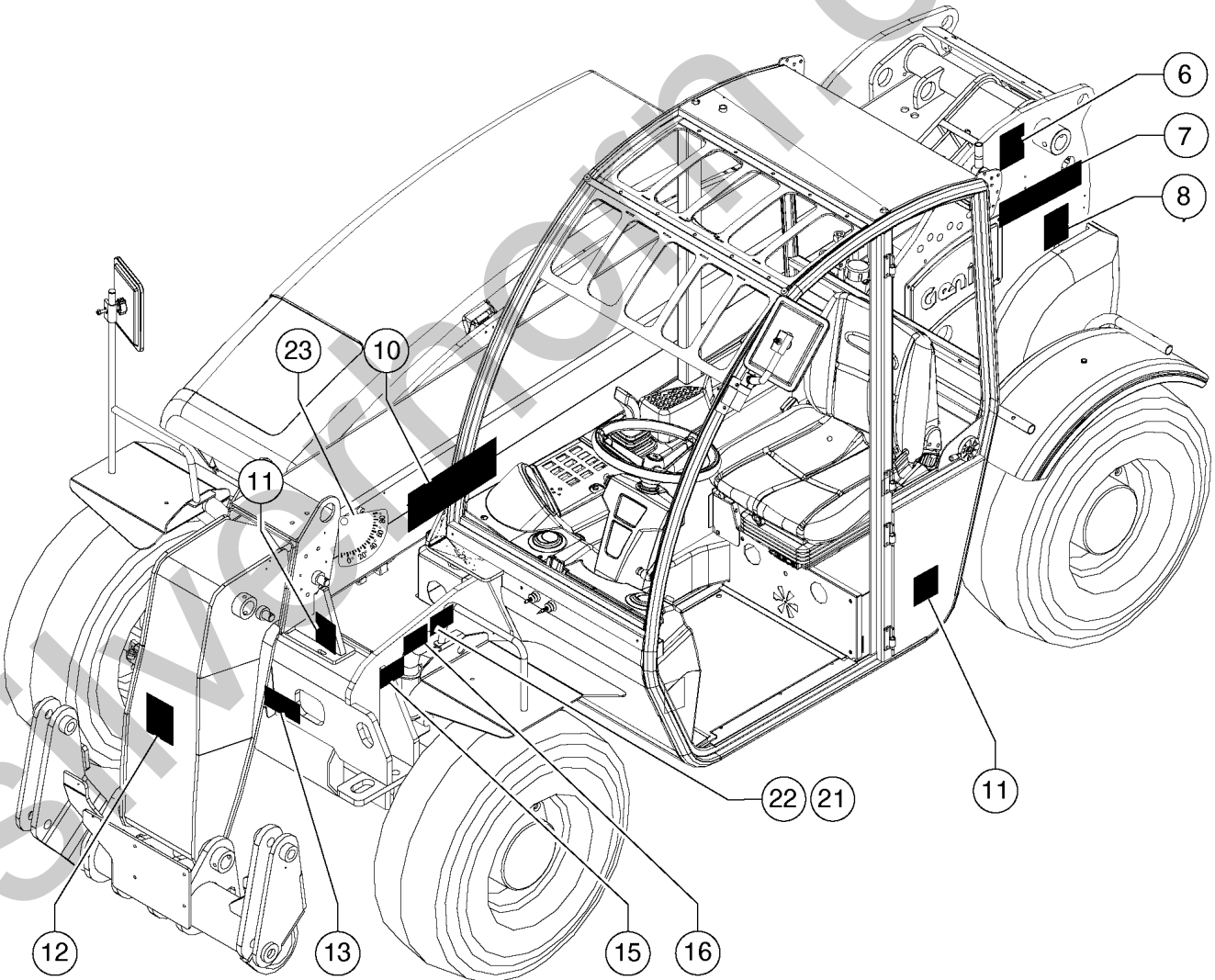
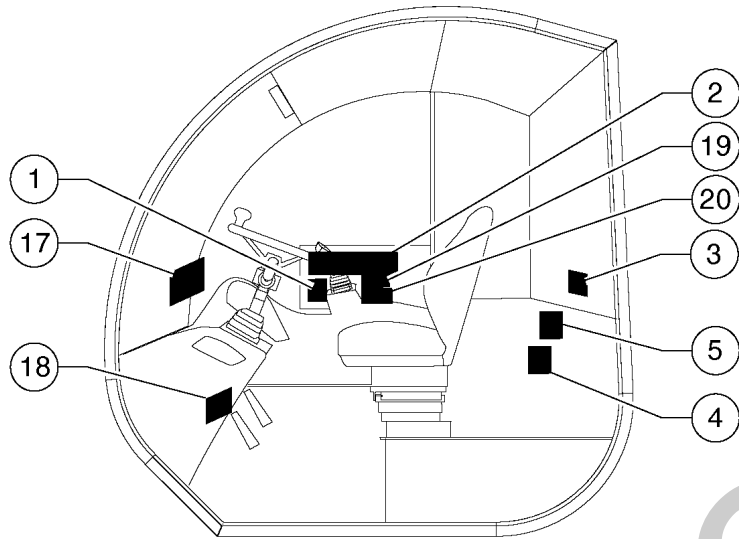
Silverhorn.CO.UK

101.1 Decals, View 1



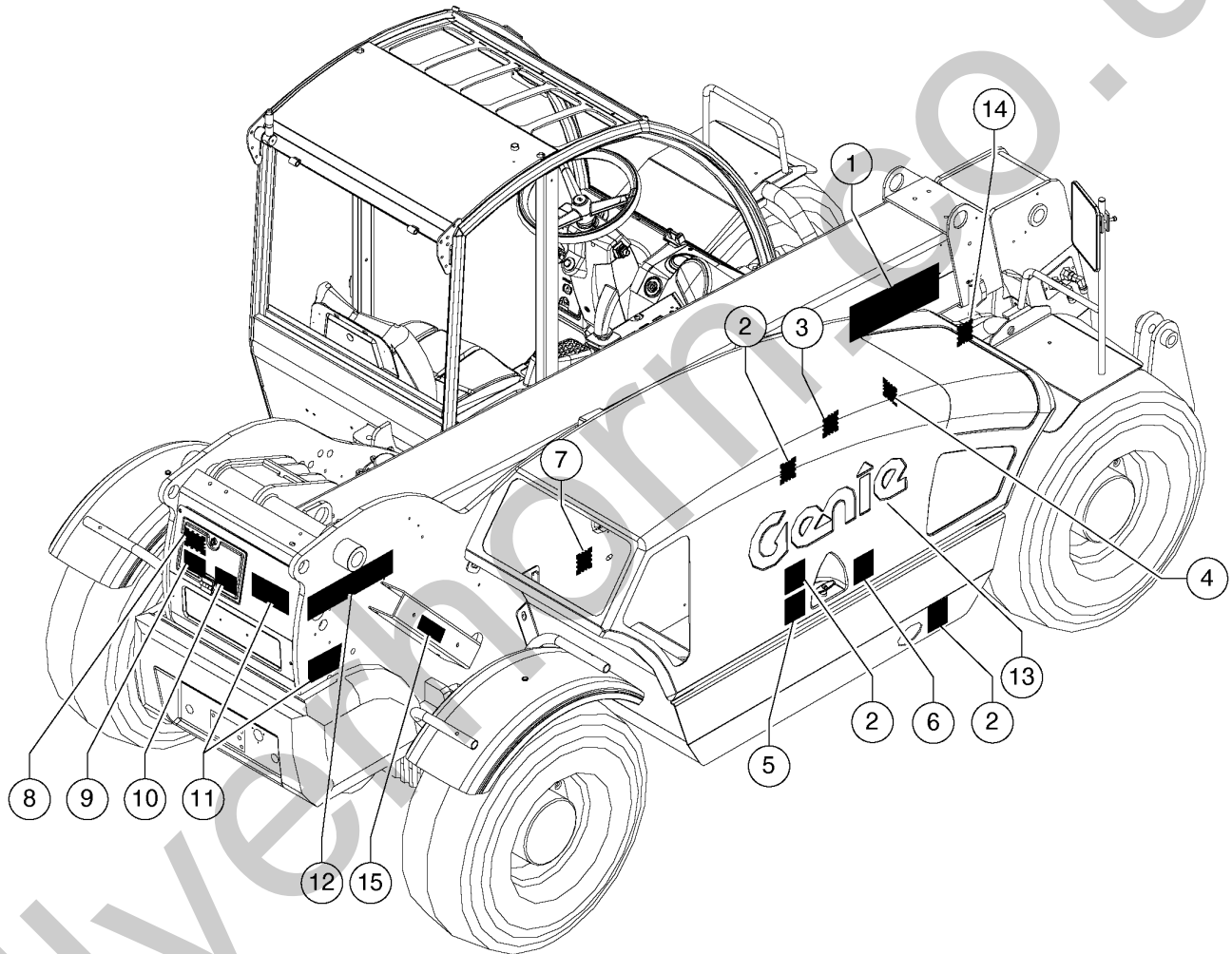
Item	Part No.	Description	Qty.
1	09.4618.1688GT	Label - Control Lever .....	1
1	09.4618.1775GT	Label - Control Lever - French Decal .....	1
2	09.4618.1622GT	Danger/Warning – 7 Decal Combination .....	1
2	09.4618.1774GT	Danger/Warning – 7 Decal Combination - French Decal .....	1
3	09.4618.1742GT	Label - Emergency Exit Handles .....	1
4	09.4618.1025GT	DECAL,UPPR DOOR EXT UNLOCK SYS .....	1
5	09.4618.0776GT	DECAL,UPPER DOOR UNLOCK SYS .....	1
6	82558GT	DECAL,SKIN INJECTION .....	1
6	82558FRGT	DECAL,SKIN INJECTION - FRENCH DECAL .....	1
7	09.4618.0644GT	DECAL,COSMETIC,GTH-5519 .....	1
8	237598GT	DECAL,BODY CRUSH,ROLLING MACHINE .....	1
8	237598FRGT	DECAL,CRUSH HAZARD - FRENCH DECAL .....	1
10	09.4618.0643GT	Cosmetic - Genie GTH-5519 .....	1
11	214418GT	DECAL,DANGER/WARNING .....	2
12	215268GT	DECAL,FALL HAZARD,WORK PLAT .....	1
12	215268FRGT	DECAL,FALL HAZARD,WORK PLAT - FRENCH DECAL .....	1
13	09.4618.1690GT	DECAL,LIFTING AND ANCHORING .....	1
15	09.4618.1691GT	DECAL, TEST PORT .....	1
16	215267GT	Label - Product Registration .....	1
16	215267FRGT	Label – Product Registration - French Decal .....	1
17	55.0700.0166GT	Load Charts Standard KIT .....	1
17A	09.4618.0801GT	Load Chart - 60" And 66" Bucket .....	1
17B	09.4618.0802GT	Load Chart - Scrap Grapple Bucket .....	1
17C	09.4618.0803GT	Load Chart - 60" Forks, Optional 48" Forks, 48" Cubing Tines .....	1
17D	09.4618.0804GT	Load Chart - Universal Attachment Adapter .....	1
17E	09.4618.0805GT	Load Chart - Rotating Or Side Shift Fork Carriage, Standard Fork Tines .....	1
17F	09.4618.0806GT	Load Chart - Truss Boom .....	1
17G	09.4618.1867GT	Load Chart - Shackle .....	1

101.1 Decals, View 1



<i>Item</i>	<i>Part No.</i>	<i>Description</i>	<i>Qty.</i>
17H	09.4618.1680GT	Load Chart - Side Shift Fork Carriage 60" Fork Tines .....	1
17I	09.4618.1738GT	Load Chart - Standard Carriage .....	1
17J	09.4618.2054GT	LOAD CHART GTH-5519 48 INCH FORK POSITIONER .....	1
18	09.4618.1999GT	DECAL, NO DOT FLUID .....	1
19	1280819GT	DECAL,WARNING,CANCER AND REPRODUCTIVE HARM, PROP 65 .....	1
20	1280820GT	DECAL,FUEL,DIESEL EXHAUST, PROP 65 .....	1
21	1291624GT	DECAL COSM,GENIE LIFT CONNECT,LEXAN COVER .....	1
22	1292512GT	DECAL COSM,GENIE LIFT CONNECT,ESN,SKU4-1 .....	1
23	09.4618.0205GT	DECAL, BOOM ANGLE INDICATOR .....	1

102.1 Decals, View 2

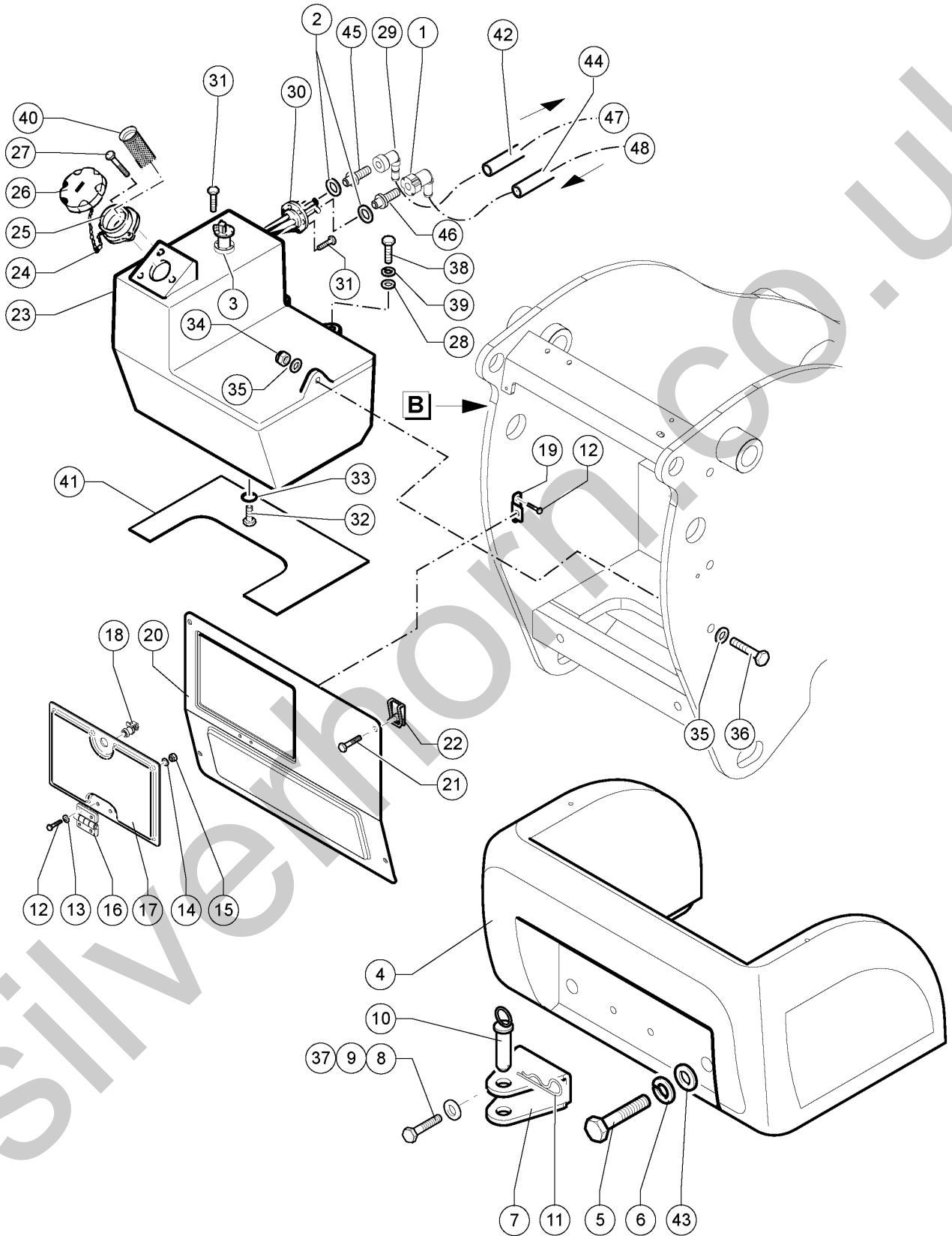




Item	Part No.	Description	Qty.
1	09.4618.0643GT	Cosmetic - Genie GTH-5519 .....	1
2	97667GT	DECAL,WARN,BURN HAZARD .....	3
2	97667FRGT	DECAL,BURN HAZARD - FRENCH DECAL .....	3
3	97602GT	DECAL,EXPLOSION HAZARD .....	1
3	97602FRGT	DECAL,EXPLOSION HAZARD - FRENCH DECAL .....	1
4	237601GT	DECAL,BURN HAZARD .....	1
4	237601FRGT	DECAL,BURN HAZARD - FRENCH DECAL .....	1
5	1263543GT	DECAL,COMPARTMENT ACCESS .....	1
5	1263543FRGT	DECAL,COMPARTMENT ACCESS - FRENCH DECAL .....	1
6	214418GT	DECAL,DANGER/WARNING .....	1
6	214418FRGT	DECAL,DANGER/WARNING - FRENCH DECAL .....	1
7	237605GT	DECAL,HOT PARTS .....	1
7	237605FRGT	DECAL,HOT PARTS - FRENCH DECAL .....	1
8	237971GT	DECAL,EXPLOSION,FUELING .....	1
8	237971FRGT	DECAL,EXPLOSION,FUELING - FRENCH DECAL .....	1
9	826345GT	DECAL,ULS DIESEL ONLY,TIER 4 .....	1
9	826345FRGT	DECAL, ULTRA LOW SULFUR FUEL-FRENCH .....	1
10	28159GT	DECAL,DIESEL .....	1
11	237598GT	DECAL,BODY CRUSH,ROLLING MACHINE .....	2
12	09.4618.0644GT	DECAL,COSMETIC,GTH-5519 .....	1
13	1258639GT	DECAL,COSMETIC,7.5" GENIE WHIT .....	1
14	1272242GT	DECAL,MACHINE REGISTRATION/OWNER TRANSFER .....	1
15	09.4618.2048GT	DECAL CRUSH HAZARD- USE SAFETY COLLAR GB .....	1
15	09.4618.2049FRGT	DECAL CRUSH HAZARD- USE SAFETY COLLAR FR .....	1

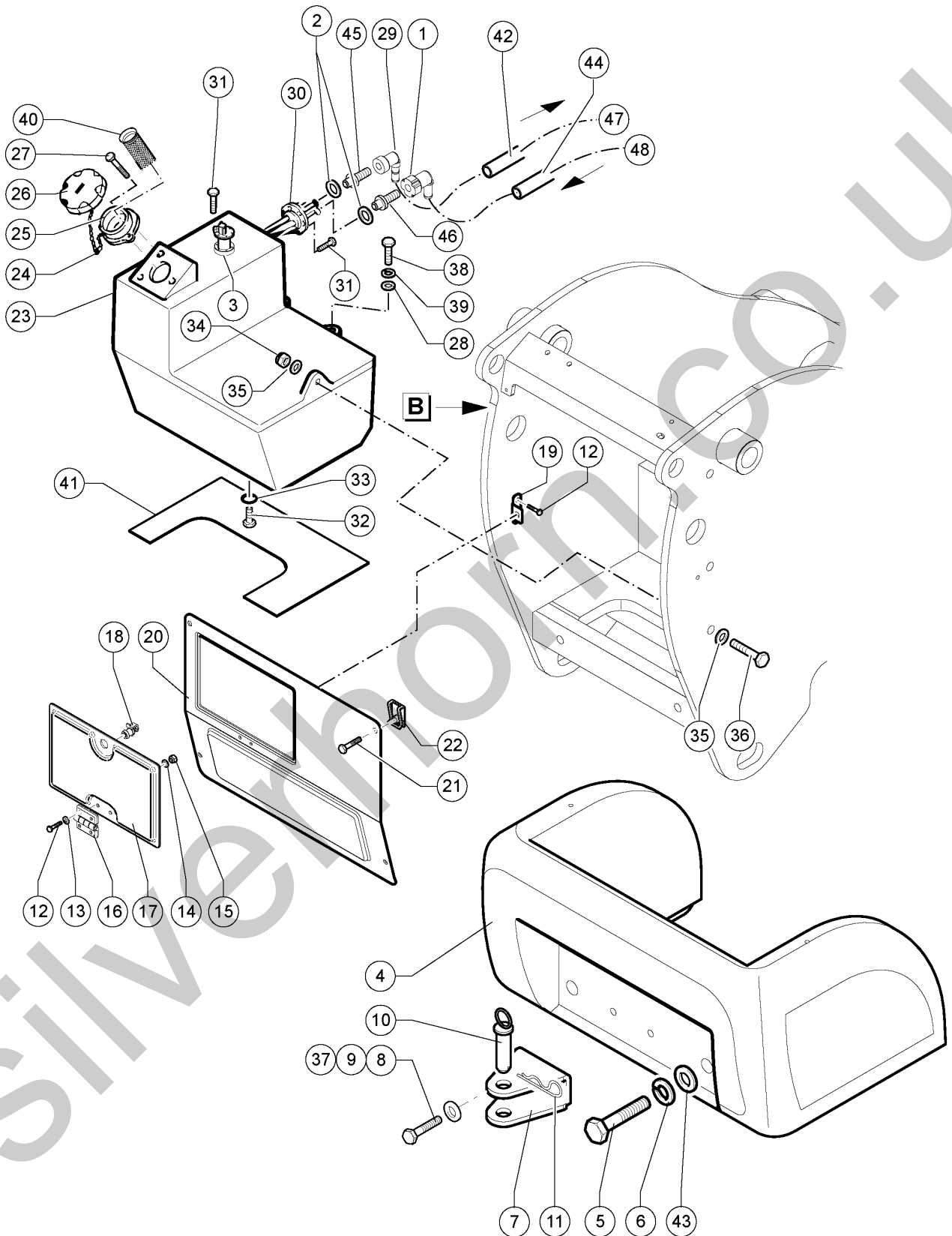


201.1 Rear Chassis



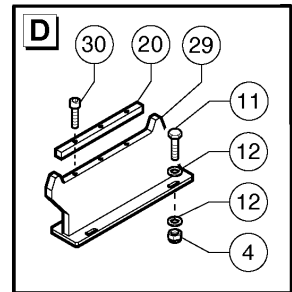
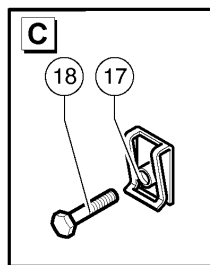
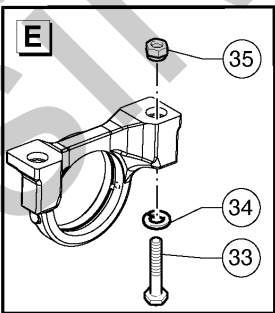
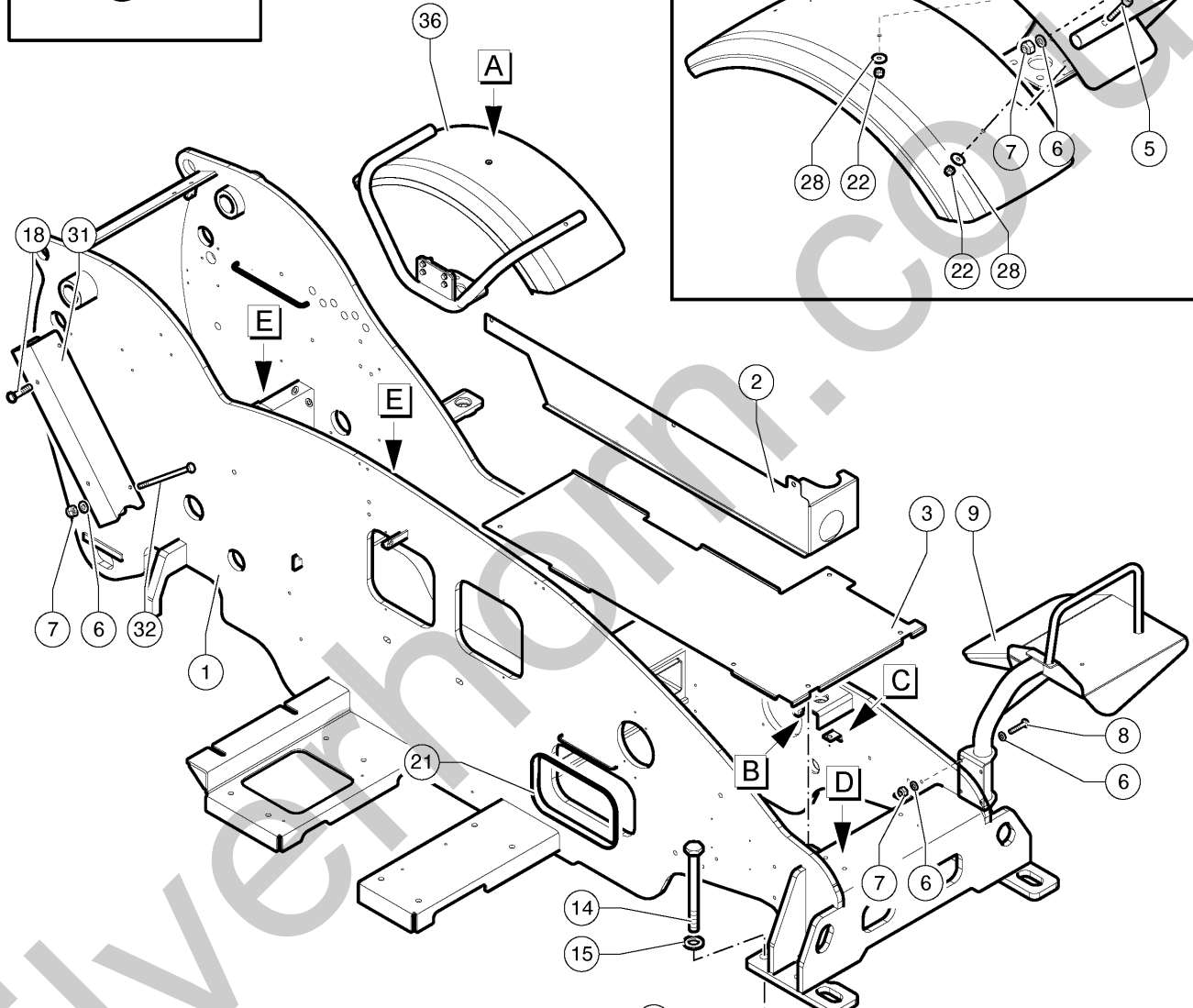
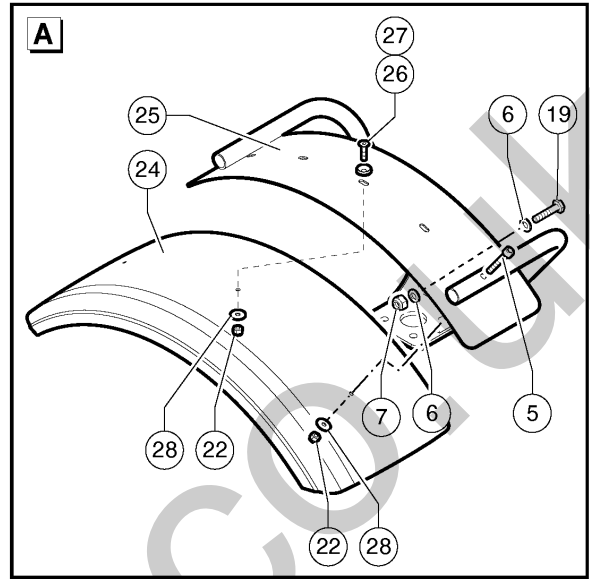
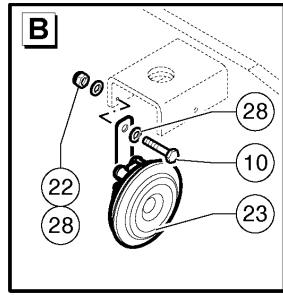
Item	Part No.	Description	Qty.
1	826000GT	CONNECTOR, SAE10, QUICK CONNECT .....	1
2	1297495GT	WASHER, SHIM, 16.2X22X1.5, AL .....	2
3	56.0012.0085GT	FUEL GAUGE .....	1
4	51.1000.5218GT	Counterweight (see note) .....	1
5	01.4001.0025GT	SCREW M24X160 UNI 5737 10.9 ZN .....	2
6	01.4032.0000GT	SPRING WASHER D24 ZN .....	2
7	51.0800.3800GT	Hitch .....	1
8	01.0001.0703GT	SCREW M16X35 UNI 5739 8.8 ZN .....	2
9	01.4032.0007GT	SPRING WASHER D16 ZN .....	2
10	54.0000.0027GT	Hitch Pin .....	1
11	09.0803.0026GT	SPRING SPLIT PIN .....	1
12	01.0001.0156GT	SCREW M6X20 UNI 5739 8.8 ZN .....	4
13	01.4032.0002GT	SPRING WASHER D6 ZN to SN GTH55M-16662 .....	4
14	01.0031.0298GT	FLAT WASHER D6 UNI 6593 ZN to SN GTH55M-16662 .....	4
15	01.0019.0103GT	NUT M6 UNI 5588 6S ZN to SN GTH55M-16662 .....	4
16	09.0803.0421GT	Hinge to SN GTH55M-16662 .....	1
17	52.1100.9132GT	Cover to SN GTH55M-16662 .....	1
18	09.0803.0518GT	Lock to SN GTH55M-16662 .....	1
19	51.0811.2000GT	Support .....	1
20	52.1100.9131GT	Cover to SN GTH55M-16662 .....	1
20B	1320595GT	FORMING, COVER, DIESEL TANK from SN GTH55M-16663 .....	1
21	01.4001.0078GT	SCREW, M8x20, DIN6923, 8.8 ZN .....	4
22	09.0803.0352GT	SPRING CLIP M8 .....	4
23	51.0600.9334GT	DIESEL TANK .....	1
24	09.4661.0022GT	Chain .....	1
25	09.4661.0021GT	AIR INLET .....	1
26	09.4661.0020GT	PLUG .....	1
27	01.4001.0045GT	Screw TE M 5X10 UNI 5739 8.8 ZN .....	3

201.1 Rear Chassis



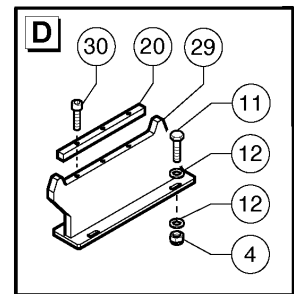
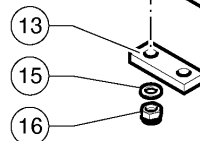
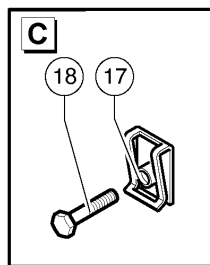
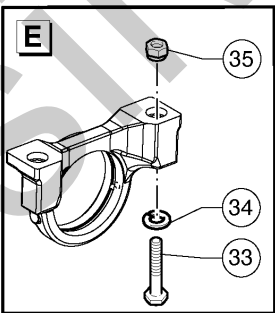
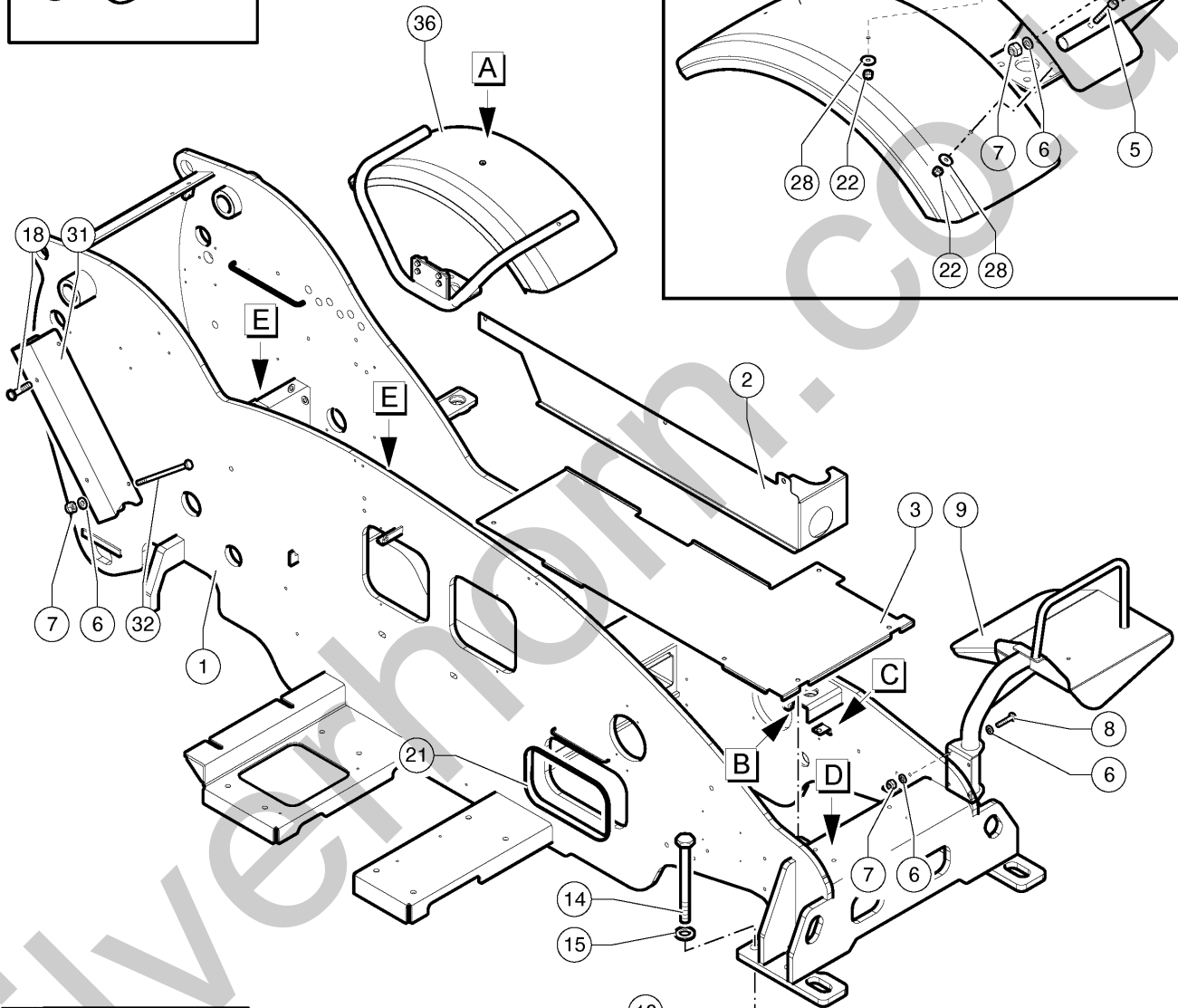
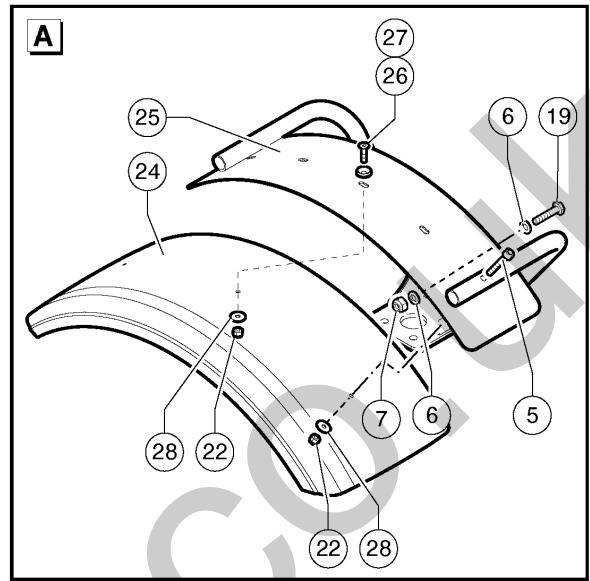
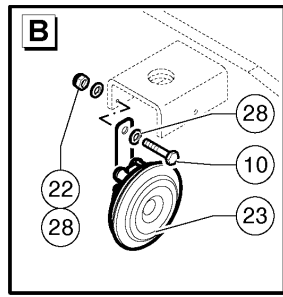
Item	Part No.	Description	Qty.
28	01.0031.0299GT	FLAT WASHER D8 UNI 6593 ZN .....	4
29	1293433GT	CONNECTOR, SAE12, QUICK CONNECT .....	1
30	53.3001.6851GT	FLANGE .....	1
31	01.4001.0006GT	SCREW M4X10 UNI 5739 8.8 ZN .....	10
32	09.0803.0510GT	DRAIN PLUG M16 .....	1
33	900046GT	O-Ring .....	1
34	01.0023.0056GT	STOP NUT M12 UNI 7473 6S ZN .....	1
35	01.0031.0151GT	FLAT WASHER D12 UNI 6593 ZN .....	2
36	01.0001.0405GT	SCREW, 8.8 HCS 12MM1.75X60Z .....	1
37	01.0031.0059GT	FLAT WASHER D16 UNI 6592 ZN .....	2
38	01.0001.0252GT	SCREW M8X16 UNI 5739 8.8 ZN .....	2
39	01.4032.0003GT	Spring Washer D 8 ZN .....	8
40	09.4661.0016GT	BASKET,PLUG .....	1
41	53.3302.0016GT	Rubber Base .....	1
42	T09.0805.0070GT	FLEXIBLE HOSE,D12X18(1EACH-1Inch) .....	3.3
43	01.0031.0062GT	FLAT WASHER D22 UNI 6592 ZN .....	2
44	09.0805.0171GT	HOSE .....	138
45	1297493GT	FITTING, DEUTZ SAE-J-2044, D12mm .....	1
46	1297494GT	FITTING, DEUTZ SAE-J-2044, D10mm .....	1
47		Ref. Hydraulic Pumps (Ref. 303.1) .....	Ref
48		Ref. Hydraulic Pumps (Ref. 303.1) .....	Ref

202.1 Left Chassis



Item	Part No.	Description	Qty.
1	51.0113.9112GT	COMPLETE DRIVE CHASSIS ..... To SN GTH55M-12119	1
1	1303799GT	ASSY, DRIVE CHASSIS, GTH 5519 For SN GTH55M-1211; From SN GTH55M-12120	1
2	51.0903.5187GT	Cab Lateral Cover .....	1
3	51.0903.5050GT	Protection .....	1
4	01.0023.0055GT	Stop Nut M10 UNI 7473 6S ZN .....	4
5	01.0003.0155GT	SCREW M6X20 UNI 5931 8.8 ZN .....	2
6	01.0031.0055GT	FLAT WASHER D8 UNI 6592 ZN .....	18
7	01.0023.0054GT	NUT,M8 UNI 7473 6S ZN .....	17
8	01.0001.1465GT	SCREW TE M8X40 UNI 5739 8.8 ZN .....	10
9	51.0811.4643GT	Front Left Mudguard .....	1
10	01.0001.1458GT	SCREW M6X35 UNI 5739 8.8 ZN .....	1
11	01.0001.0304GT	SCREW M10X50 UNI 5739 8.8 ZN .....	4
12	01.0031.0056GT	FLAT WASHER D10 UNI 6592 ZN .....	8
13	51.0811.4641GT	Front Axle Bracket Fixing Plate .....	2
14	01.4001.0057GT	Screw TE M24X220UNI 5737 8.8 ZN .....	4
15	01.0031.0063GT	FLAT WASHER D24 UNI 6592 ZN .....	8
16	01.0023.0062GT	STOP NUT M24 UNI 7473 6S ZN .....	4
17	09.0803.0352GT	SPRING CLIP M8 .....	5
18	01.4001.0078GT	SCREW, M8x20, DIN6923, 8.8 ZN .....	5
19	01.0001.0257GT	SCREW M8X30 UNI 5739 8.8 ZN .....	4
20	54.0705.0038GT	Pad 20X250 .....	1
21	09.0803.0418GT	GASKET .....	32, 37
22	01.0023.0053GT	STOP NUT M6 UNI 7473 6S ZN .....	4
23	56.0010.0087GT	HORN .....	1
24	09.0803.0667GT	MUD GUARD .....	1
25	51.0811.4617GT	SUPPORT,REAR,MUD GUARD (KIT) .....	1
26	09.0803.0012GT	WASHER D6 .....	1
27	01.4006.0011GT	SCREW M6X20 UNI 5933 10.9 ZN .....	1

202.1 Left Chassis

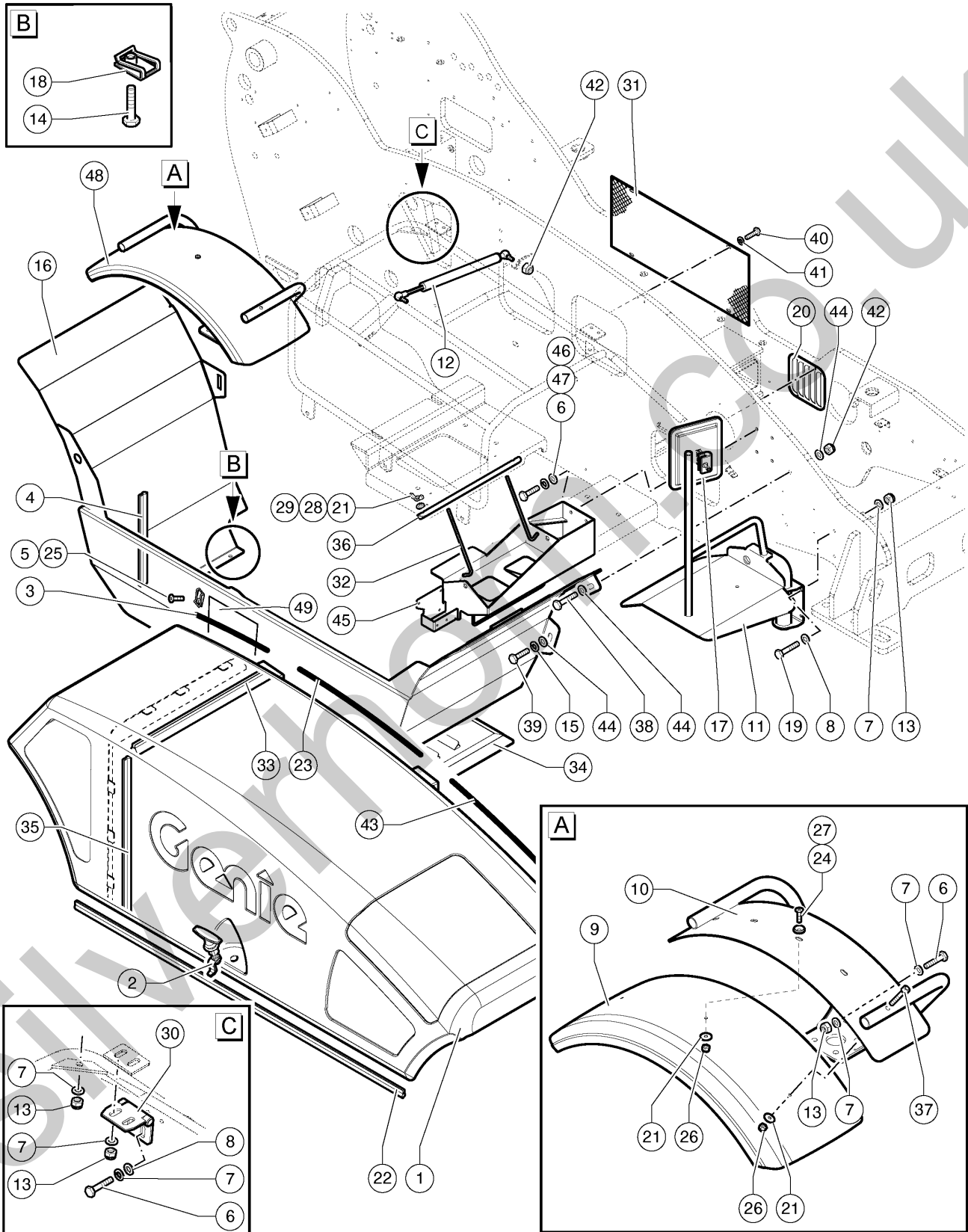




## 202.1 Left Chassis

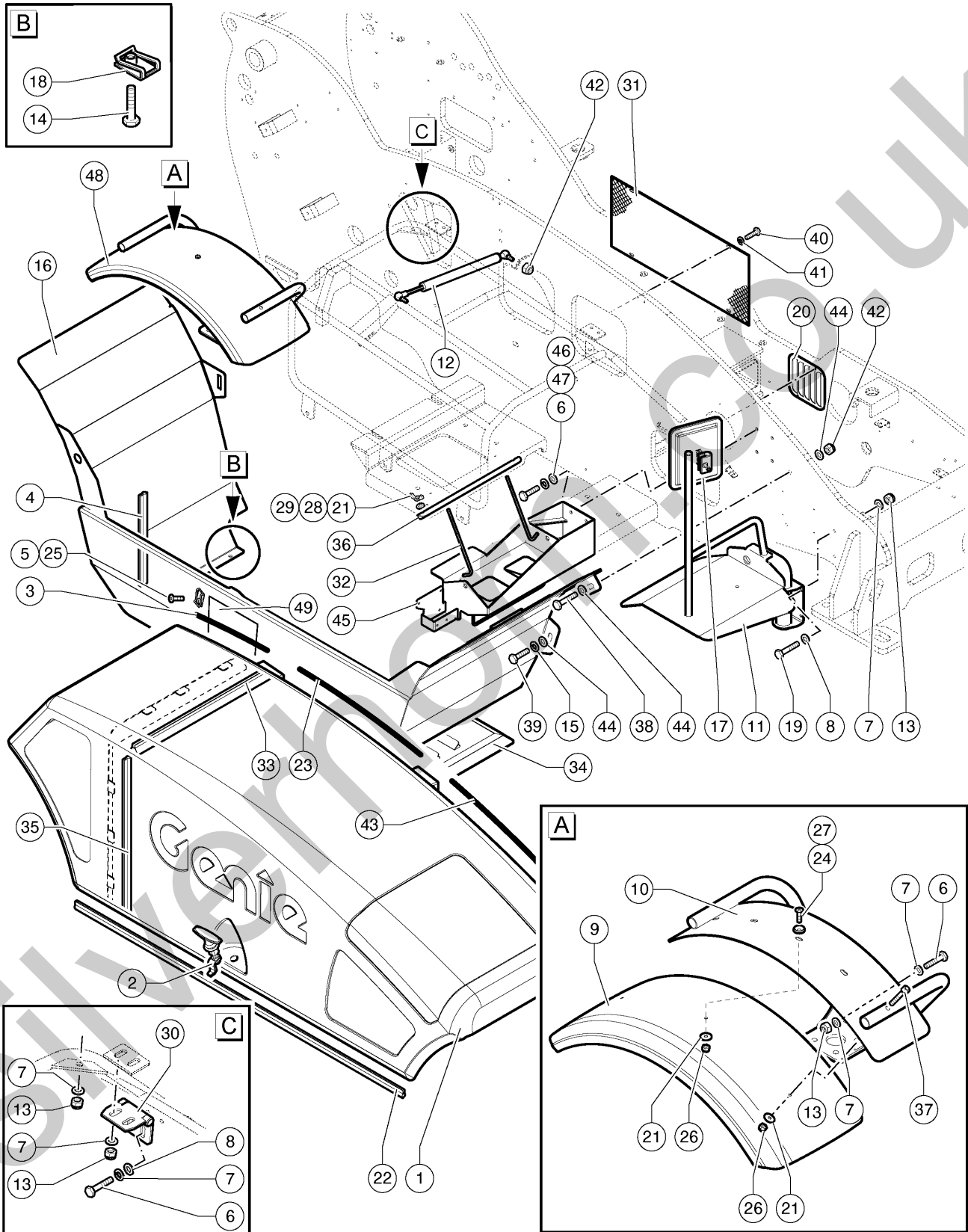
<i>Item</i>	<i>Part No.</i>	<i>Description</i>	<i>Qty.</i>
28	01.0031.0298GT	FLAT WASHER D6 UNI 6593 ZN .....	4
29	51.0803.5700GT	SUPPORT .....	1
30	01.0003.0203GT	SCREW,TCEI,M8X20 UNI 8.8 ZN .....	3
31	51.1301.9152GT	Maintenance Collar .....	1
32	01.0001.0217GT	SCREW,TE,M8X110 UNI 8.8 ZN .....	2
33	01.4001.0212GT	SCREW,HHC,M20-2,5X160,DIN931,8.8,ZN .....	4
34	01.4032.0009GT	SPRING WASHER D20 ZN .....	4
35	01.0023.0060GT	STOP NUT M20 UNI 7473 6S ZN .....	4
36	55.0409.0213GT	REAR MUDGUARD ASSY .....	1

203.1 Right Chassis



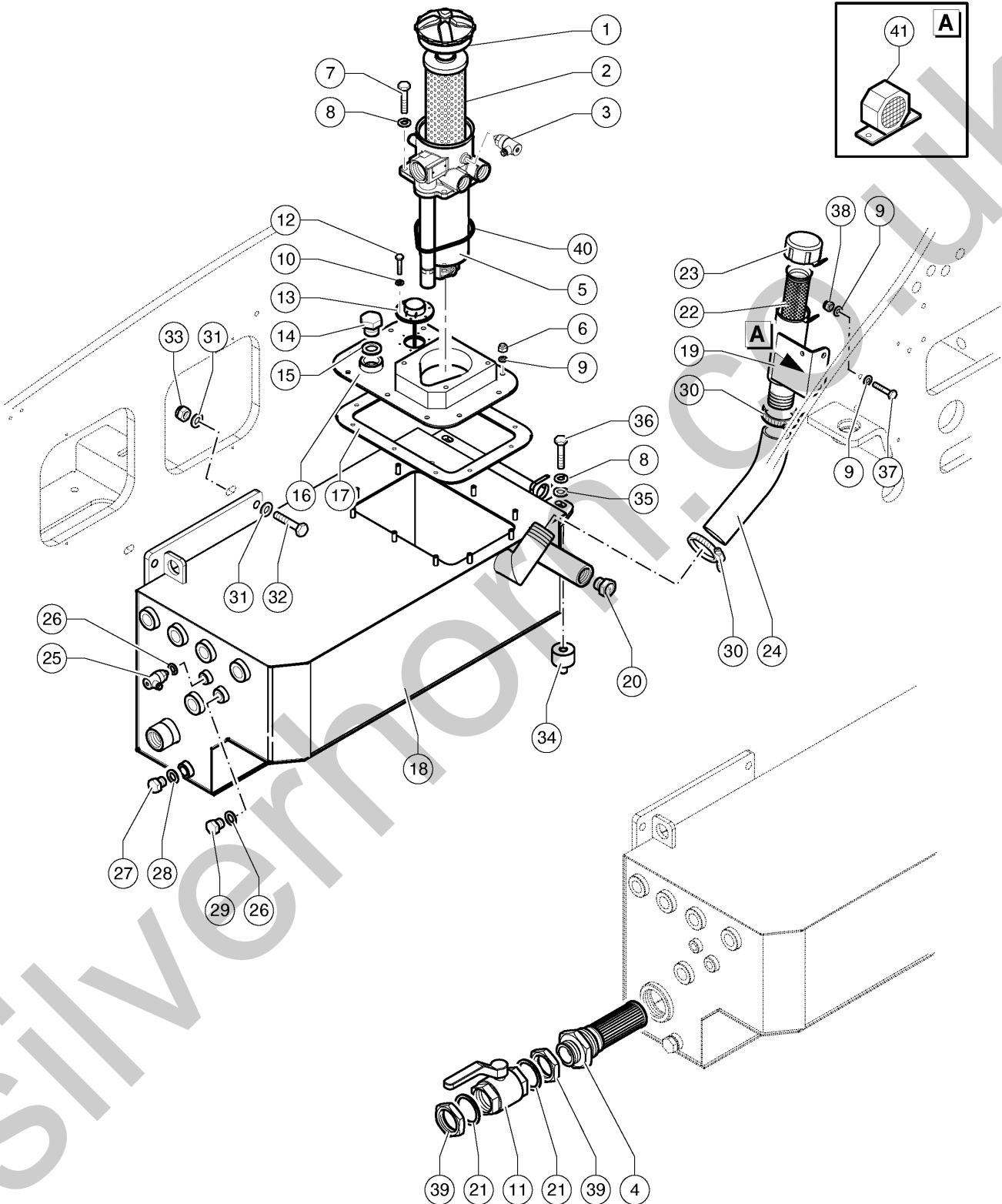
Item	Part No.	Description	Qty.
1	52.1200.5550GT	Engine Cover .....	1
2	09.0803.0828GT	ENGINE COVER CLOSING .....	1
3	07.0723.0089GT	SEAL STRIP .....	0.6
4	07.0723.0089GT	SEAL STRIP .....	0.2
5	01.4006.0001GT	SCREW M6X16 UNI 5933 10.9 ZN .....	4
6	01.0001.0257GT	SCREW M8X30 UNI 5739 8.8 ZN .....	8
7	01.0031.0055GT	FLAT WASHER D8 UNI 6592 ZN .....	14
8	01.4032.0003GT	Spring Washer D 8 ZN .....	4
9	09.0803.0667GT	MUD GUARD .....	1
10	51.0811.4617GT	SUPPORT,REAR,MUD GUARD (KIT) .....	1
11	51.0811.4642GT	RF SUPPORT MUDGUARD .....	1
12	09.0803.0815GT	Gas Spring .....	1
13	01.0023.0054GT	NUT,M8 UNI 7473 6S ZN .....	16
14	01.4001.0078GT	SCREW, M8x20, DIN6923, 8.8 ZN .....	4
15	01.4032.0004GT	WASHER,LOCK,M10,DIN127 .....	7
16	51.0903.5272GT	Engine Housing .....	1
17	07.0723.0042GT	Mirror .....	1
18	09.0803.0352GT	SPRING CLIP M8 .....	4
19	01.0001.1465GT	SCREW TE M8X40 UNI 5739 8.8 ZN .....	4
20	51.0903.5057GT	Cover .....	1
21	01.0031.0298GT	FLAT WASHER D6 UNI 6593 ZN .....	5
22	07.0723.0089GT	SEAL STRIP .....	1.5
23	07.0723.0089GT	SEAL STRIP .....	0.55
24	09.0803.0012GT	WASHER D6 .....	6
25	09.0803.0516GT	SPRING CLIP M6 .....	4
26	01.0023.0053GT	STOP NUT M6 UNI 7473 6S ZN .....	6
27	01.4006.0011GT	SCREW M6X20 UNI 5933 10.9 ZN .....	1
28	01.4023.0010GT	NUT,WING,M6 UNI 7473-7474 6S .....	2

203.1 Right Chassis



Item	Part No.	Description	Qty.
29	01.4032.0002GT	SPRING WASHER D6 ZN .....	2
30	09.0803.0000GT	Hinge .....	2
31	51.0903.5125GT	Cover .....	1
32	51.0811.4230GT	ROD,BATTERY HOLD DOWN .....	2
33	09.0805.0119GT	GASKET .....	0.6
34	51.0903.5273GT	LOWER COVER .....	1
35	07.0723.0089GT	SEAL STRIP .....	1.3
36	51.0811.4236GT	BRACKET,BATTERY HOLD DOWN .....	1
37	01.0003.0155GT	SCREW M6X20 UNI 5931 8.8 ZN .....	2
38	01.0001.1476GT	SCREW,TE,M10X45 UNI 8.8 ZN .....	3
39	01.0001.0356GT	SCREW M10X30 UNI 5739 8.8 ZN .....	3
40	01.4001.0106GT	SCREW M6X16 DIN 6923 8.8 ZN .....	9
41	01.0031.0054GT	FLAT WASHER D6 UNI 6592 ZN .....	9
42	01.0023.0055GT	Stop Nut M10 UNI 7473 6S ZN .....	7
43	07.0723.0089GT	SEAL STRIP .....	1
44	01.0031.0301GT	FLAT WASHER D10 UNI 6593 ZN .....	16
45	51.0811.4554GT	Battery Support .....	1
46	01.4032.0003GT	Spring Washer D 8 ZN .....	4
47	01.0031.0299GT	FLAT WASHER D8 UNI 6593 ZN .....	4
48	55.0409.0213GT	REAR MUDGUARD ASSY .....	1
49	51.0903.5270GT	COVER .....	1

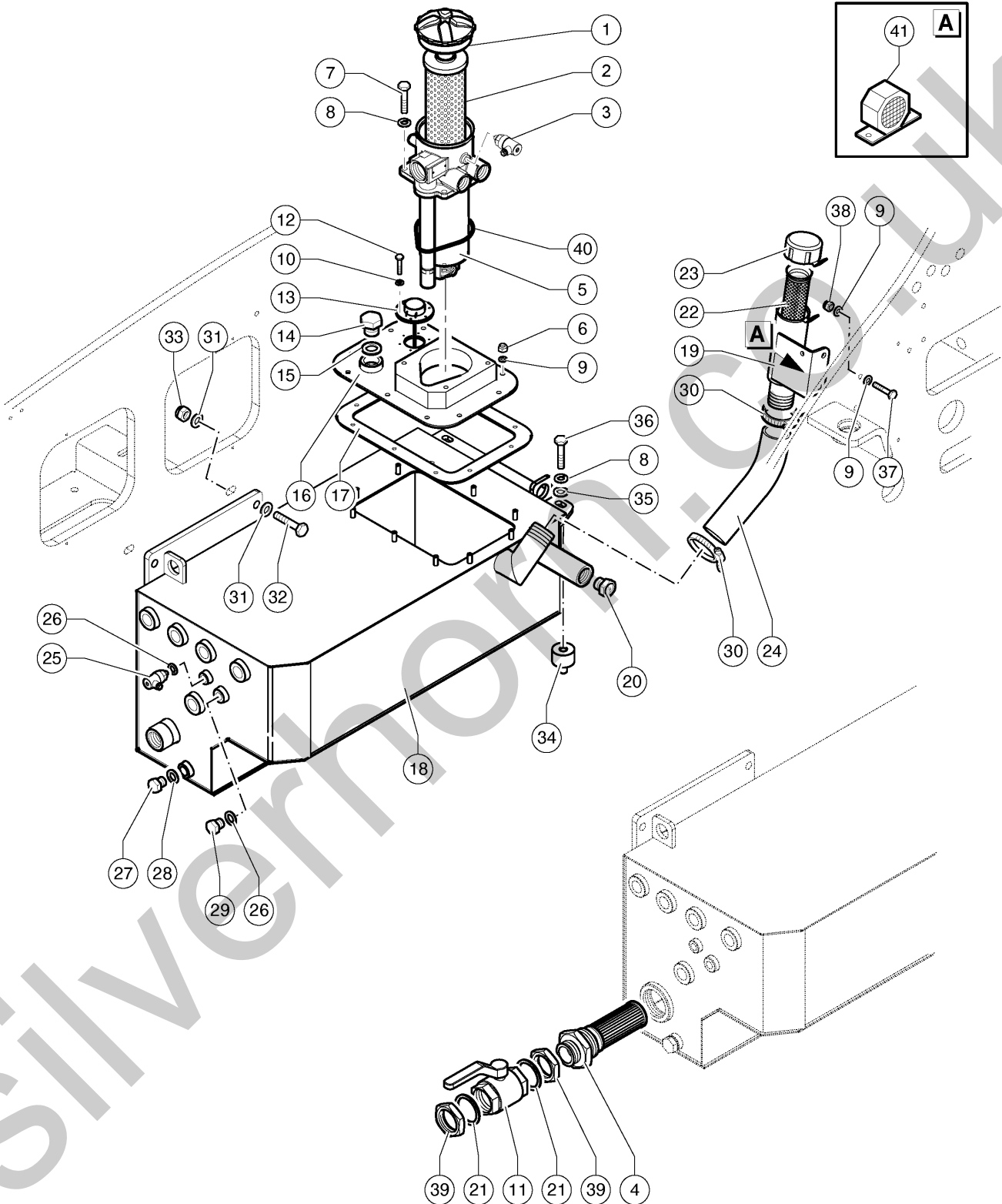
204.1 Hydraulic Oil Tank



## 204.1 Hydraulic Oil Tank

Item	Part No.	Description	Qty.
1	07.0700.0006GT	CAP, HYDRAULIC FILTER .....	1
2	07.0700.0023GT	OIL FILTER, CARTRIDGE .....	1
3	07.0700.0028GT	INDICATOR (OIL CLOGGING) .....	1
4	09.4604.0073GT	Filter .....	1
5	09.4604.0047GT	HYD OIL FILTER .....	1
6	01.0023.0054GT	NUT, M8 UNI 7473 6S ZN .....	10
7	01.0001.0355GT	SCREW M10X25 UNI 5739 8.8 ZN .....	4
8	01.4032.0004GT	WASHER, LOCK, M10, DIN127 .....	6
9	01.0031.0056GT	FLAT WASHER D10 UNI 6592 ZN .....	12
10	01.4032.0011GT	SPRING WASHER D4 ZN .....	6
11	04.4224.0000GT	BALL VALVE DN 1 1/2 .....	1
12	01.4003.0012GT	SCREW M4 X 16, 10.9 .....	6
13	56.0013.0028GT	LEVEL INDICATOR .....	1
14	04.0220.0063GT	PLUG 1 BSP .....	2
15	06.0442.0125GT	BONDED RING 1" .....	3
16	51.0903.5205GT	Inspection Hatch .....	1
17	53.3301.0005GT	Rubber Gasket .....	1
18	51.0600.9323GT	Oil Tank .....	1
19	53.3001.6744GT	Oil Manifold .....	1
20	09.4661.0002GT	OIL LEVEL INDICATOR .....	1
21	06.0442.0127GT	RING, BONDED .....	2
22	09.4661.0016GT	BASKET, PLUG .....	1
23	09.4661.0014GT	PLUG .....	1
24	09.0805.0166GT	Rubber Pipe D.48/58 .....	1
25	56.0013.0000GT	TEMPERATURE SENSOR, HYDRAULIC OIL .....	1
26	06.0442.0120GT	BONDED RING 3/8" .....	2
27	04.0220.0055GT	PLUG 1/2 BSP .....	1
28	06.0442.0122GT	BONDED RING 1/2" .....	1

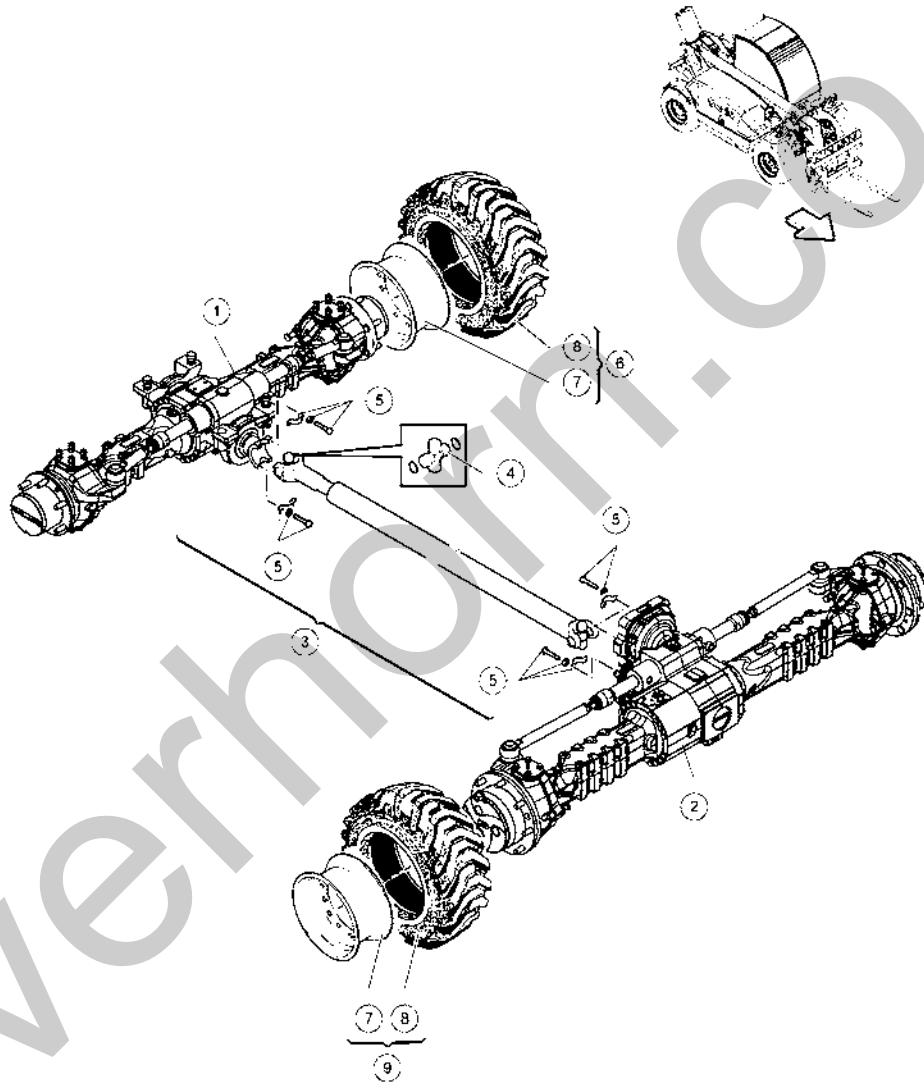
204.1 Hydraulic Oil Tank





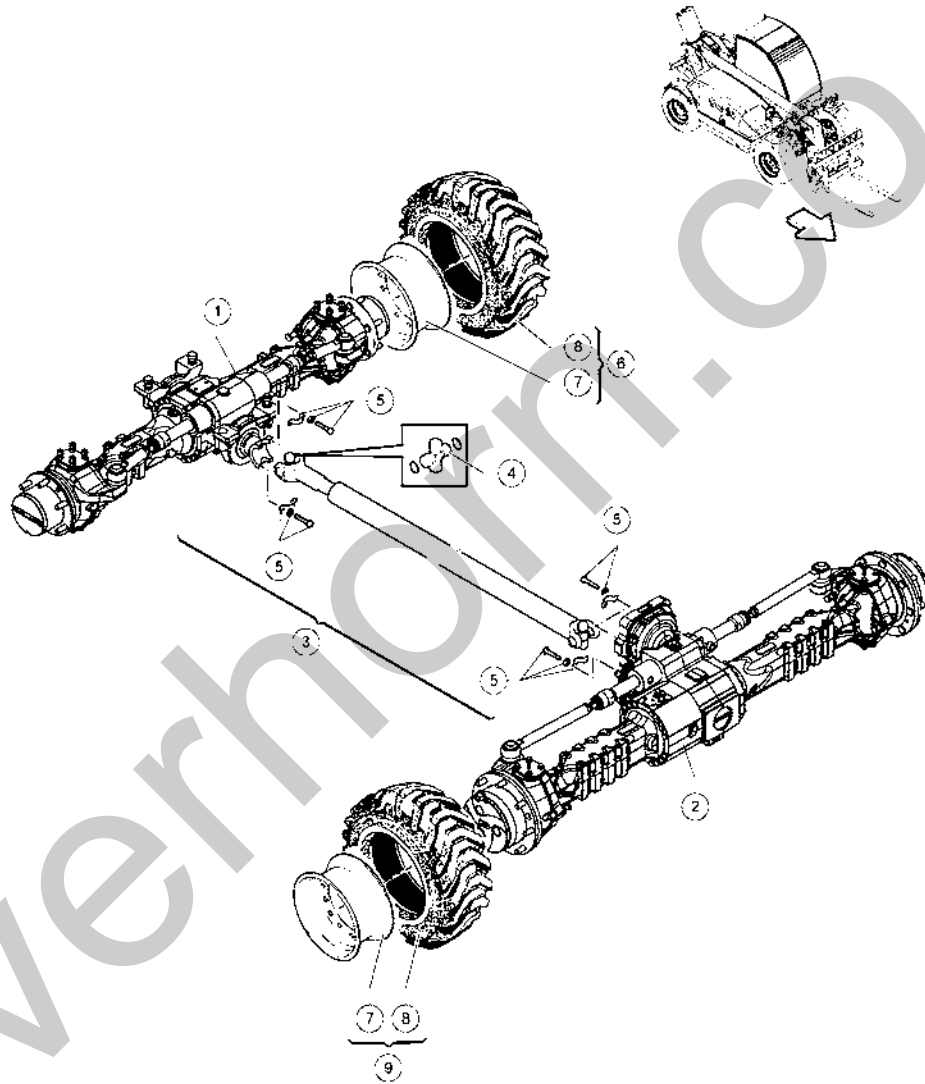
Item	Part No.	Description	Qty.
29	04.0220.0053GT	PLUG 3/8" BSP .....	1
30	04.0227.0144GT	Clamp DN 55/59 .....	2
31	01.0031.0151GT	FLAT WASHER D12 UNI 6593 ZN .....	4
32	01.0001.1482GT	Screw TE M12X50 UNI 5737 8.8 ZN .....	2
33	01.0023.0056GT	STOP NUT M12 UNI 7473 6S ZN .....	2
34	09.0803.0232GT	INSULATOR M-F D=30/H=20 M10ART.TCVF 3020 .....	2
35	01.0031.0301GT	FLAT WASHER D10 UNI 6593 ZN .....	2
36	01.0001.0353GT	SCREW M10X20 UNI 5739 8.8 ZN .....	2
37	01.0001.1465GT	SCREW TE M8X40 UNI 5739 8.8 ZN .....	2
38	01.0023.0054GT	NUT,M8 UNI 7473 6S ZN .....	2
39	01.4019.0021GT	NUT .....	2
40	07.0700.0051GT	O-RING 124X4,5 .....	1
41	56.0010.0086GT	ALARM .....	1
41B	1315359GT	ASSEMBLY, ALARM, WHITE NOISE, 97dB .....	1
41B-	1317918GT	HARNES, ADAPTER WHITE NOISE ALARM, GTH-5519 .....	1

205.1 Drive Chassis And Wheels



Item	Part No.	Description	Qty.
1	09.4632.0110GT	Rear Steering Axle .....	1
2	09.4632.0109GT	Front Steering Axle .....	1
3	09.4635.0054GT	Cardan Shaft .....	1
4	07.0738.0004GT	Universal Joint Cross .....	2
5	09.4635.0014GT	CARDAN SHAFT ASSY KIT .....	4
6	55.0403.0082GT	Complete Left Wheel 20" - Solid Boss Optional .....	2
6B	1311551GT	TYRE/WHEEL ASSY, NON-MARKING FOAM, LH Optional - Non Marking Foam Filled .....	2
6C	1311551GT	TYRE/WHEEL ASSY, NON-MARKING FOAM, LH to SN GTH55M-15968 .....	2
6D	1316060GT	ASSY, TIRE/WHEEL, NON-MARKING, FOAM, LH, BLACK from SN GTH55M-15969 .....	2
6E	1298023GT	COMPLETE WHEEL 33/16LL50/12PR Optional, Turf Tires (to SN GTH55M-15968) .....	2
6F	1316043GT	ASSY, TIRE/WHEEL 33/16LL50/12PR, BLACK Optional, Turf Tires (from SN GTH55M-15969) .....	2
6G	55.0403.0090GT	LEFT SPARE WHEEL 12-16,5" PR 10 or PR 12 to SN GTH55M-15968 .....	2
6H	1316040GT	ASSY, TIRE/WHEEL 12-16,5" PR 10 OR PR 12, AIR, LH, BLACK from SN GTH55M-15969 .....	2
6I	55.0403.0088GT	LEFT SIDE FOAM FILLED SPARE WHEEL 12-16.5" PR 10 or PR12 Optional - Foam Filled (to SN GTH55M-15968) .....	2
6J	1316038GT	ASSY, TIRE/WHEEL 12-16.5" PR 10 OR PR 12, FOAM, LH, BLACK from SN GTH55M-15969 .....	2
6K	55.0403.0094GT	TIRE/WHEEL ASSY, FF, NON-MARKING 12-16,5 LEFT PR10 OR PR12 to SN GTH55M-15968 .....	2
6L	1316058GT	ASSY, TIRE/WHEEL, FF, NON-MARKING 12-16.5, LH, BLACK from SN GTH55M-15969 .....	2
7	09.4629.0018GT	Rim 9.75 X 16.5" Only For Air Filled Wheels .....	4
7B	1299399GT	RIM 19,5 X 14 1299399GT .....	4
7C	1316042GT	RIM 9,75 x 16.5" - BLACK Only For Air Filled Wheels (from SN GTH55M-15969) .....	4
7D	1316044GT	RIM 19,5 X 14 - BLACK (from SN GTH55M-15969) .....	4
8	09.4627.0018GT	TYRE 12-16.5 PR10 or PR12 Only For Air Filled Wheels .....	4
8B	1298024GT	TIRE, 33/16LL500/12PR Only For Turf Tires .....	4
8C	09.4627.0034GT	TIRE 12X16.5 NON MARKING PR10 or PR12 from SN GTH55M-15969 .....	4
8D	1303102GT	TIRE 12-16.5 PR12, NON MARKING from SN GTH55M-15969 .....	4
9	55.0403.0046GT	COMPLETE WHEEL 16.5 AIR, RIGHT SUPERSEDE, USE UNTIL EXHAUSTED .....	2
9B	55.0403.0081GT	Complete Right Wheel 20" - Solid Boss Optional .....	2
9C	1298023GT	COMPLETE WHEEL 33/16LL50/12PR Optional, Turf Tires .....	2

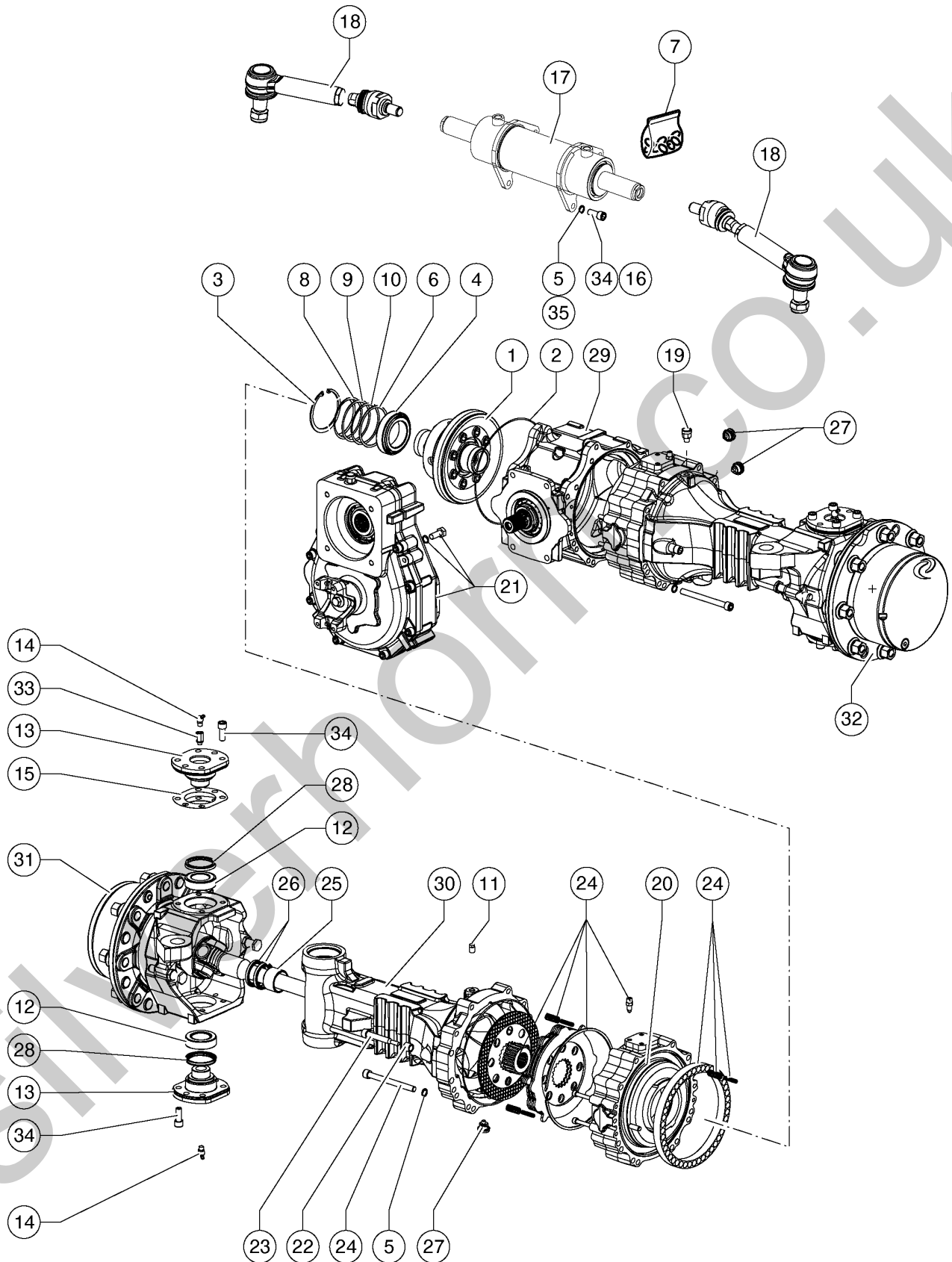
205.1 Drive Chassis And Wheels



## 205.1 Drive Chassis And Wheels

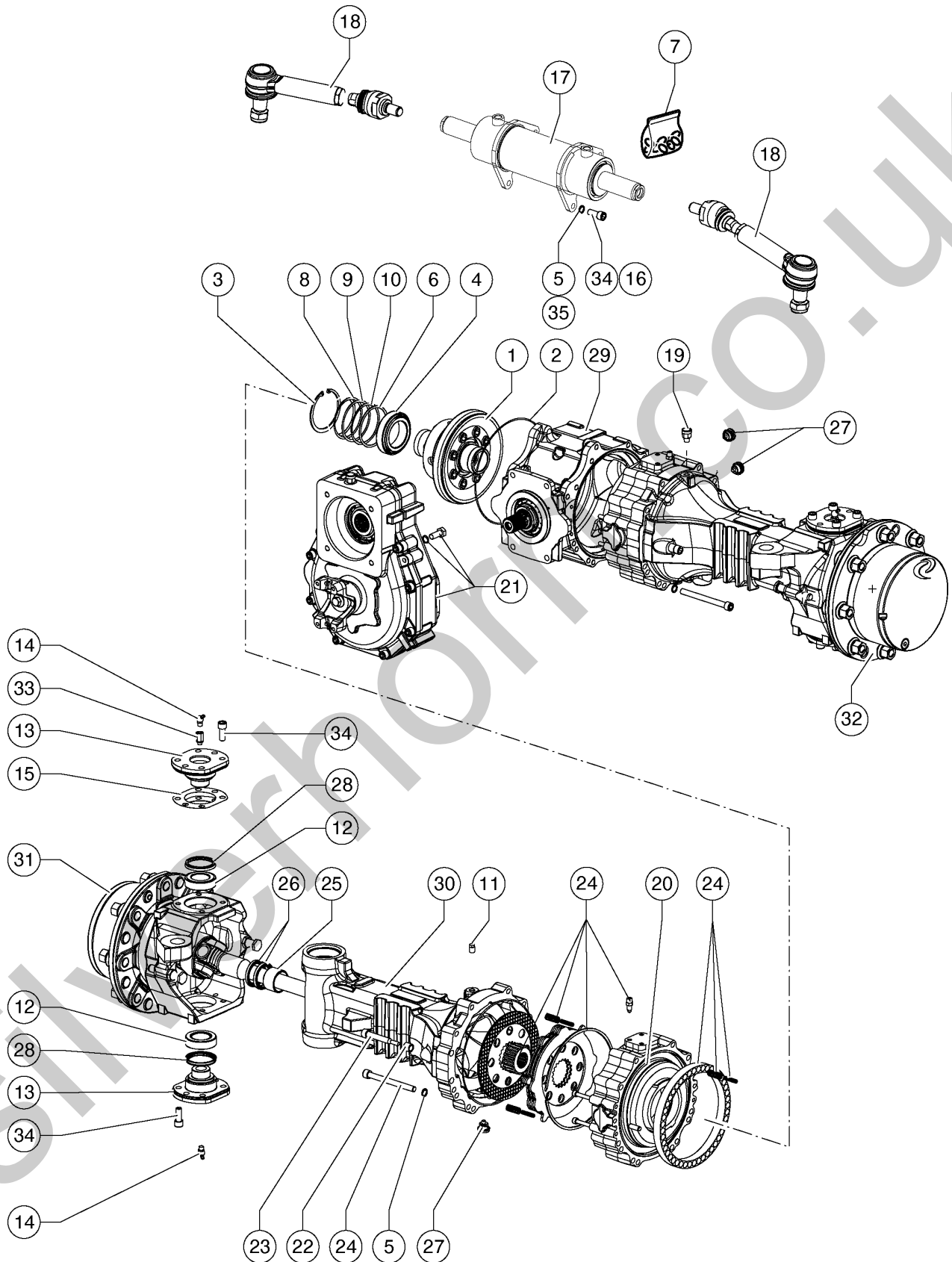
Item	Part No.	Description	Qty.
9D	1316043GT	ASSY, TIRE/WHEEL 33/16LL50/12PR, BLACK ..... Optional, Turf Tires	2
9E	55.0403.0089GT	RIGHT SIDE SPARE WHEEL 12-16,5" PR 10 or PR 12 ..... REPLACES 55.0403.0046 (to SN GTH55M-15968)	2
9F	1316041GT	ASSY, TIRE/WHEEL 12-16,5" PR 10 OR PR 12, AIR, RH, BLACK ..... from SN GTH55M-15969	2
9G	55.0403.0095GT	RIGHT SIDE FOAM FILLED SPARE WHEEL 12-16,5 PR10 or PR12 ..... Optional - Foam Filled (to SN GTH55M-15968)	2
9H	1316039GT	ASSY, TIRE/WHEEL 12-16.5" PR 10 OR PR 12, FOAM, RH, BLACK ..... from SN GTH55M-15969	2
9I	55.0403.0093GT	TIRE/WHEEL ASSY, FF, NON-MARKING 12-16.5 RIGHT PR10 OR PR12 ..... to SN GTH55M-15968	2
9J	1316059GT	ASSY, TIRE/WHEEL, FF, NON-MARKING 12-16.5, RH, BLACK ..... from SN GTH55M-15969	2
9K	1311550GT	TYRE/WHEEL ASSY, NON-MARKING FOAM, RH ..... Optional - Non Marking Foam Filled (to SN GTH55M-15968)	2
9L	1316061GT	ASSY, TIRE/WHEEL, NON-MARKING, FOAM, RH, BLACK ..... from SN GTH55M-15969	2

206.1 Front Axle - Differential



Item	Part No.	Description	Qty.
1	07.0709.1332GT	DIFFERENTIAL GROUP .....	1
2	07.0709.1071GT	O-Ring 3925 .....	2
3	07.0709.1068GT	Snap Ring 95 Uni 7437 .....	2
4	07.0709.1124GT	Bearing 32012 X .....	2
5	07.0709.1172GT	Shnorr Washer D.12 .....	28
6	07.0709.1088GT	Shim 85,3X94,7x1 .....	2
7	07.0709.1212GT	Cylinder Seal Kit .....	1
8	07.0709.1184GT	Shim 94.7X85.3x0.3 .....	2
9	07.0709.1186GT	Shim 94.7X85.3x0.35 .....	2
10	07.0709.1185GT	Shim 85.3X0.5 .....	2
11	07.0709.1187GT	Plug 1/4"Gas .....	1
12	07.0709.1077GT	Ball Joint Ge40sx .....	4
13	07.0709.1114GT	Flaged Pin - 128 .....	4
14	07.0709.1083GT	Greaser 45° M10x1 .....	4
15	07.0709.1179GT	Articulated-Joint Shim 0.1 - 128 .....	2
16	07.0709.1170GT	Socket Head Screw M12x35 5931 12.9 .....	8
17	07.0709.1334GT	Steering Cylinder .....	1
18	07.0709.1098GT	Tie Rod .....	2
19	07.0709.1177GT	Oil Filler Plug . 1/4G .....	1
20	07.0709.1340GT	Piston Group (Service+Parking) .....	2
21	07.0709.1341GT	Reduction Gearbox .....	1
22	07.0709.1370GT	Brake Fulcrum Pin .....	4
23	07.0709.1188GT	Unlock Brakes Screw - 128 .....	4
24	07.0709.1335GT	Brake Group (Parking+Service) .....	2
25	07.0709.1148GT	Busching Dx .....	2
26	07.0709.1080GT	OIL SEAL .....	4
27	07.0709.1198GT	Magnetic Plug 1/2 Gas Din908 .....	4
28	07.0709.1181GT	Dust Ring - 128 .....	4

206.1 Front Axle - Differential

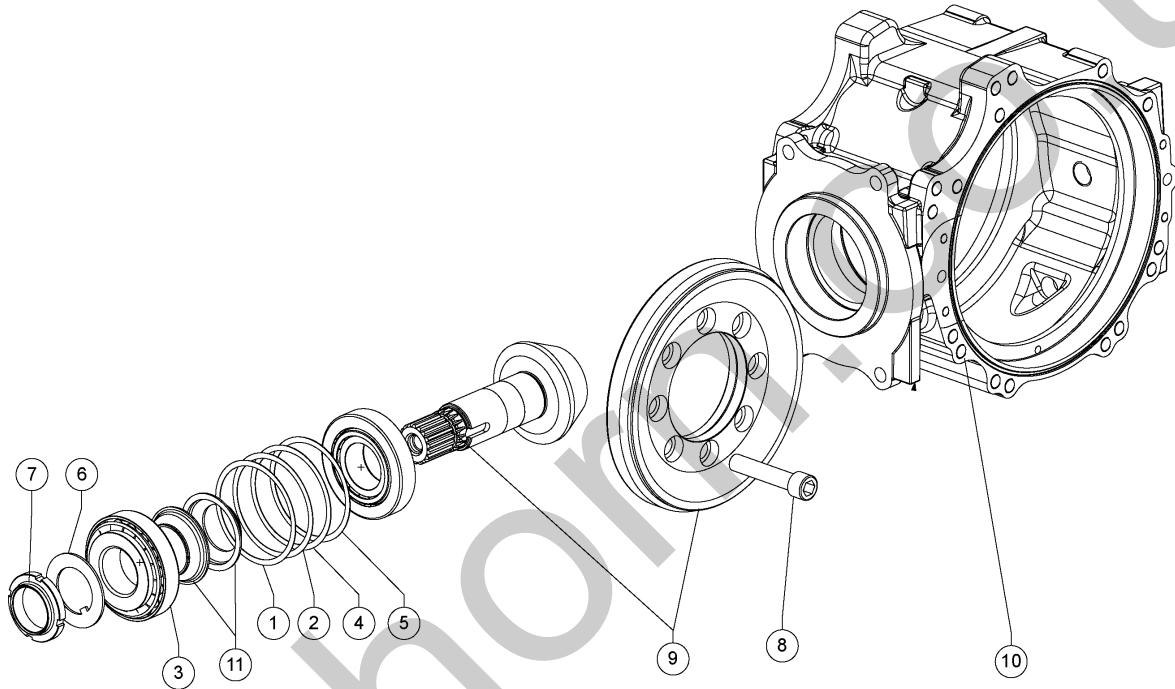




## 206.1 Front Axle - Differential

<i>Item</i>	<i>Part No.</i>	<i>Description</i>	<i>Qty.</i>
29	07.0709.1330GT	Pinion Housing .....	1
30	07.0709.1325GT	Steering Housing - 128 .....	2
31	07.0709.1329GT	LH STEERING WHEEL ASSY .....	1
32	07.0709.1326GT	RH STEERING WHEEL ASSY .....	1
33	07.0709.1085GT	Extensiosion M10x1 .....	4
34	07.0709.1183GT	Socket Head Screw M12x30 12.9 5931 .....	24
35	07.0709.1343GT	WASHER D.12 .....	8

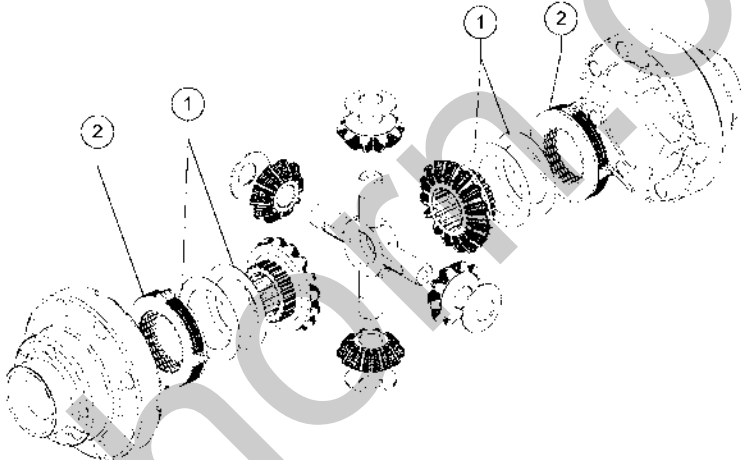
207.1 Front Axle - Pinion Housing



## 207.1 Front Axle - Pinion Housing

Item	Part No.	Description	Qty.
1	07.0709.1165GT	Shim 80.3X89.7x0.35 .....	1
2	07.0709.1162GT	Shim 80.3X89.7x0.3 .....	1
3	07.0709.1215GT	TAPER ROLLER BEARING .....	2
4	07.0709.1163GT	Shim 80.3X89.7x0.4 .....	1
5	07.0709.1164GT	Shim 80.3X89.7x0.5 .....	1
6	07.0709.1134GT	Anti-Rotation Washer .....	1
7	07.0709.1167GT	Lock Nut M40x1.5 .....	1
8	07.0709.1160GT	Screw Tcei12.9 M14x70 5931 .....	8
9	07.0709.1216GT	Bevel Gears .....	1
10	07.0709.1331GT	CENTRAL HOUSING .....	1
11	07.0709.1130GT	COLLAPSIBLE SPACER .....	2

208.1 Front Axle - Differential Group



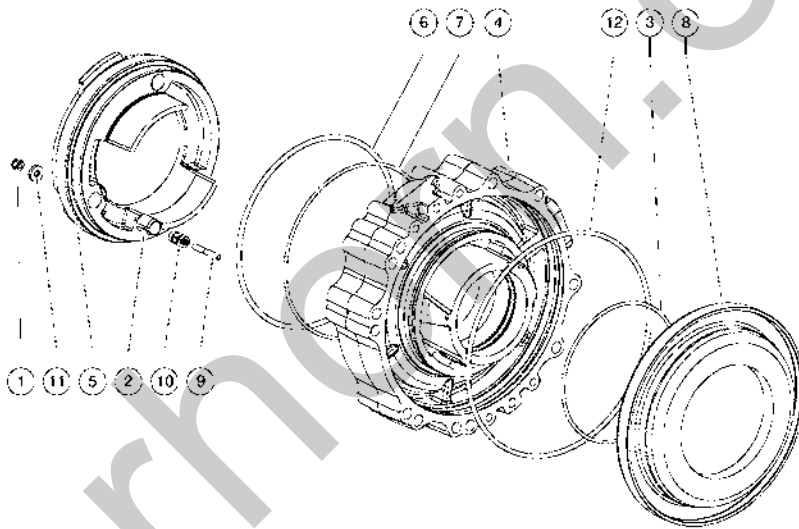
Silverline.com.co.uk

208.1 Front Axle - Differential Group

<i>Item</i>	<i>Part No.</i>	<i>Description</i>	<i>Qty.</i>
1	07.0709.1372GT	SHIM .....	1
2	07.0709.1333GT	DISCK KIT .....	1

Silverhorn.CO.UK

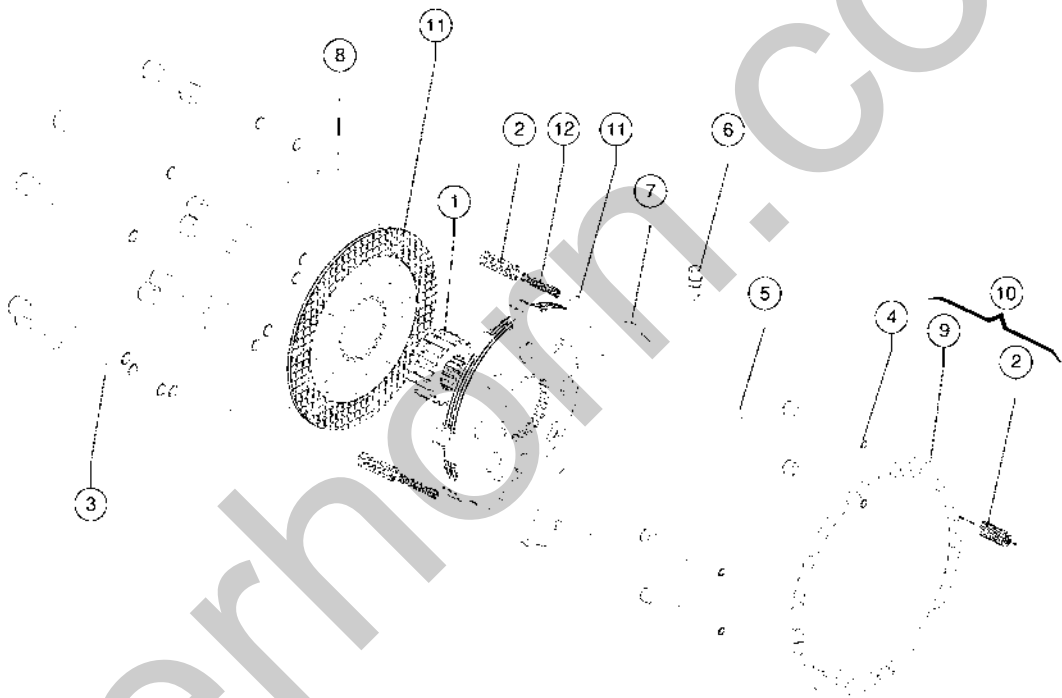
209.1 Front Axle - Piston Group



## 209.1 Front Axle - Piston Group

<i>Item</i>	<i>Part No.</i>	<i>Description</i>	<i>Qty.</i>
1	07.0709.1121GT	Locknut M6 H7,6 .....	3
2	07.0709.1089GT	Pin 6X20 Uni6875 .....	3
3	07.0709.1144GT	O-Ring Or-4587 .....	1
4	07.0709.1111GT	Brake Flange .....	1
5	07.0709.1373GT	SERVICE BRAKE PISTON .....	1
6	07.0709.1073GT	O-Ring 6795 .....	1
7	07.0709.1072GT	O-Ring 4750 .....	1
8	07.0709.1109GT	Parking Brake Piston .....	1
9	07.0709.1084GT	Stud Bolt M6x35 Uni5909 .....	3
10	07.0709.1117GT	Self-Adjust Spacer - 128 .....	3
11	07.0709.1129GT	Self-Adjust Washer - 128 .....	3
12	07.0709.1074GT	O-Ring 6945 .....	1

210.1 Front Axle - Brake Group

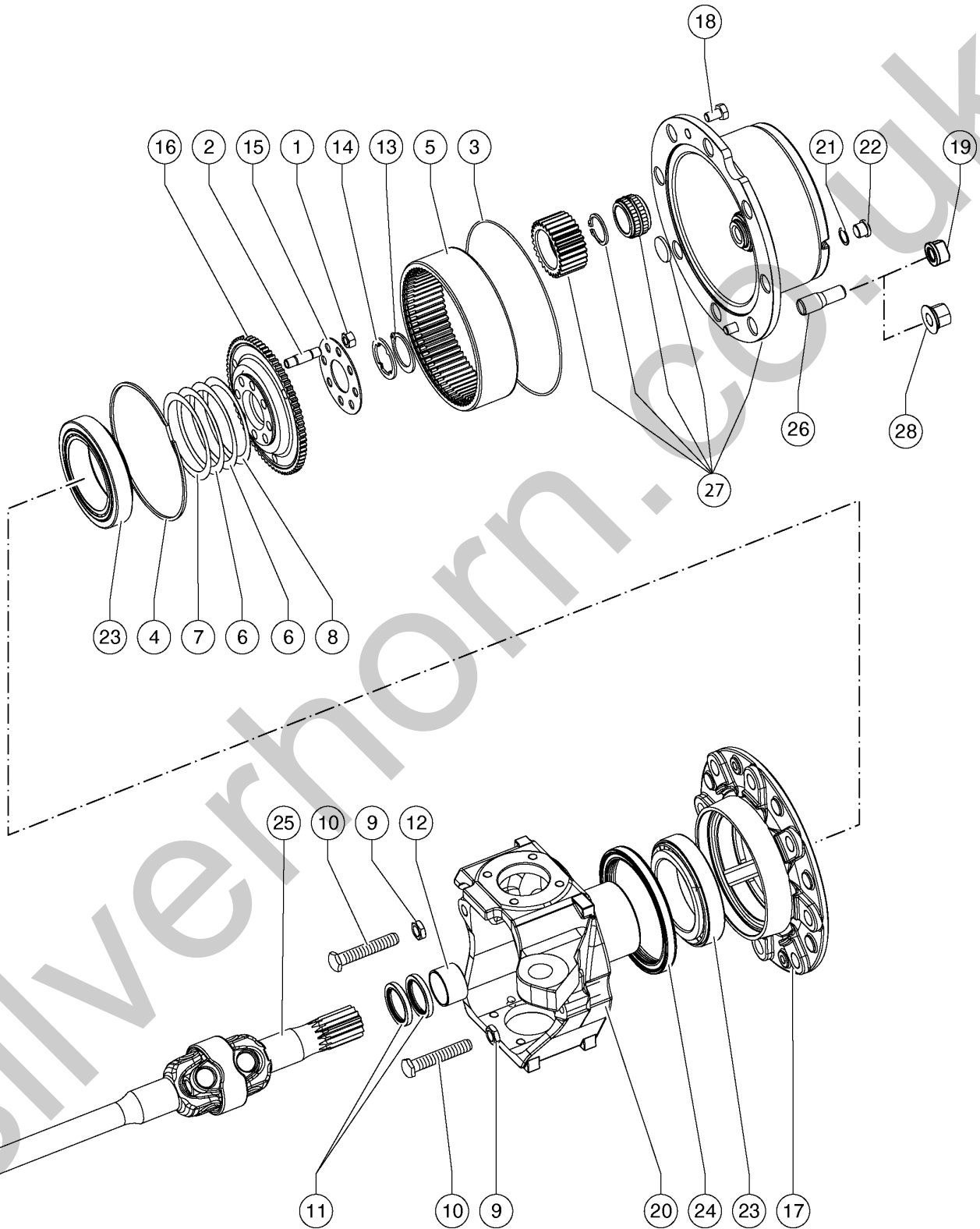




210.1 Front Axle - Brake Group

Item	Part No.	Description	Qty.
1	07.0709.1336GT	DISKS BUSCHING - 128 .....	
2	07.0709.1337GT	SPRING .....	
3	07.0709.1094GT	Socket Head Screw M12x130 12.9 5931 .....	
4	07.0709.1091GT	Socket Head Screw M8x90 12.9 5931 .....	
5	07.0709.1143GT	Parallel Pin 10X30 Din6325 .....	
6	07.0709.1189GT	Bleeding Screw M10x1 .....	
7	07.0709.1070GT	Snap Ring Br225 .....	
8	07.0709.1071GT	O-Ring 3925 .....	
9	07.0709.1140GT	Springs Ring - 128 .....	
10	07.0709.1201GT	Springs Kit - 128 .....	
11	07.0709.1338GT	DISCK PACKAGE BRAKE - 128 .....	
12	07.0709.1339GT	SPRING D2.65 - 7.8X44.4 .....	

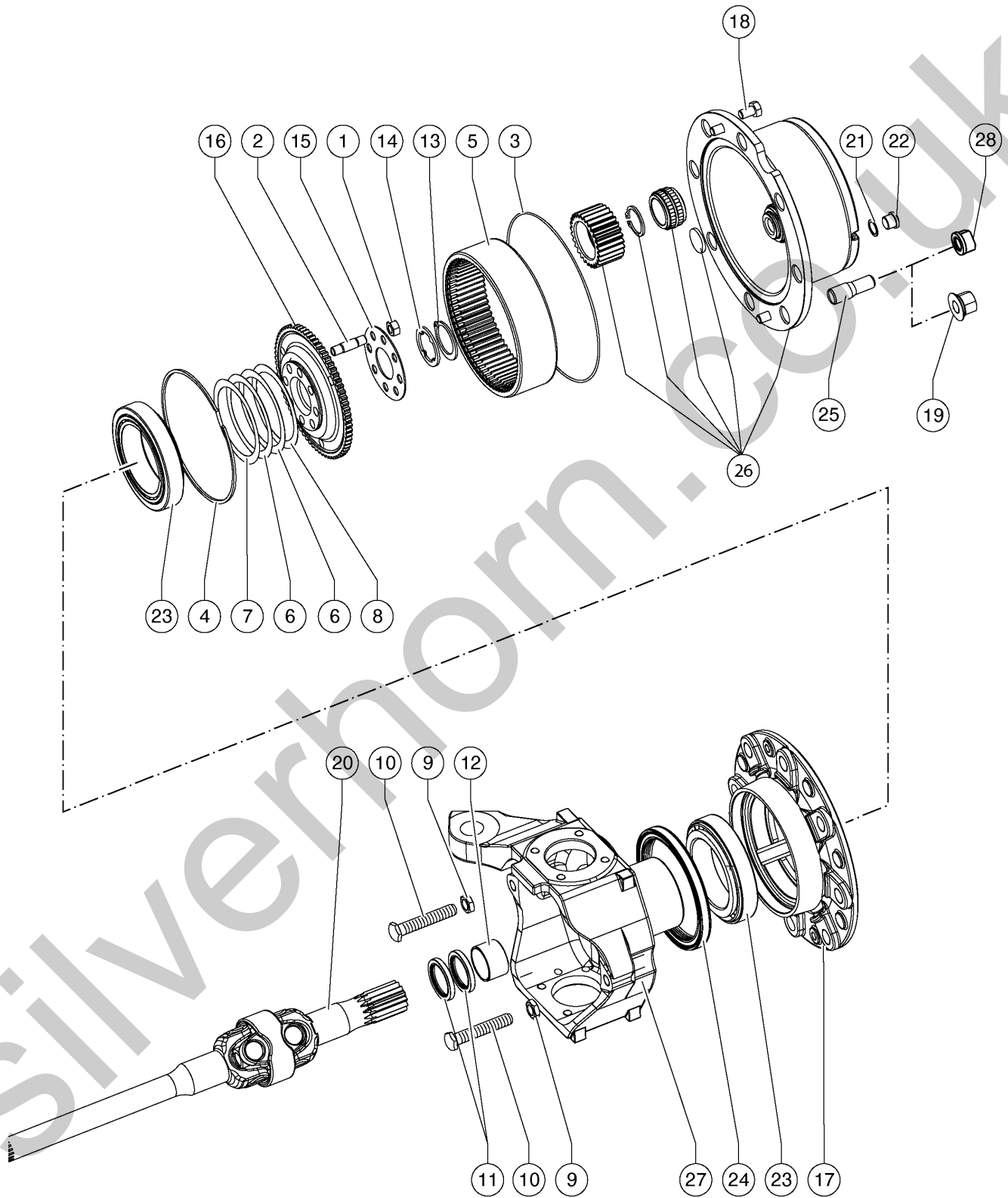
211.1 Front Axle - RH Steering Wheel Assy



## 211.1 Front Axle - RH Steering Wheel Assy

Item	Part No.	Description	Qty.
1	07.0709.1078GT	Nut M12x1.25 8.8 Uni5588 .....	8
2	07.0709.1149GT	Stud Bolts M12x41 .....	8
3	07.0709.1071GT	O-Ring 3925 .....	1
4	07.0709.1069GT	Int. Retaining Ring Br190 .....	1
5	07.0709.1135GT	Crown Wheel .....	1
6	07.0709.1132GT	Shim 99,8X122x0,2 .....	2
7	07.0709.1131GT	Shim 99,8X122x0,1 .....	1
8	07.0709.1133GT	Shim 9,8X122x0,35 .....	1
9	07.0709.1123GT	Nut M16 8 .....	2
10	07.0709.1151GT	End Steering Screw - 128 .....	2
11	07.0709.1080GT	OIL SEAL .....	2
12	07.0709.1148GT	Busching Dx .....	1
13	07.0709.1154GT	Snap Ring 45 Uni7436 .....	1
14	07.0709.1128GT	Crown Shim .....	1
15	07.0709.1127GT	Crown Ring .....	1
16	07.0709.1113GT	Corwn Flange .....	1
17	07.0709.1327GT	WHEEL HUB - 128 .....	1
18	07.0709.1092GT	Hwx Screw M12x20 Uni 5739-8G .....	2
19	07.0709.1351GT	NUT .....	8
20	07.0709.1101GT	Articulated Joint Rh - S128 .....	1
21	07.0709.1120GT	Copper Washer D.18 .....	1
22	07.0709.1152GT	Cap M18x1,5din908 .....	1
23	07.0709.1153GT	Bearing 32020 X .....	2
24	07.0709.1197GT	Ring 145X75x4.5x15.5 Nbr .....	1
25	07.0709.1344GT	CARDAN SHAFT - S128 .....	1
26	07.0709.1328GT	BOLT M1BX1,5X68 10.9-128 .....	8
27	07.0709.1350GT	HUB ASSEMBLY .....	1
28	07.0709.1079GT	Self-Lock Nut M18x1,5 Din 74361 Only combined with Solid Boss wheel .....	8

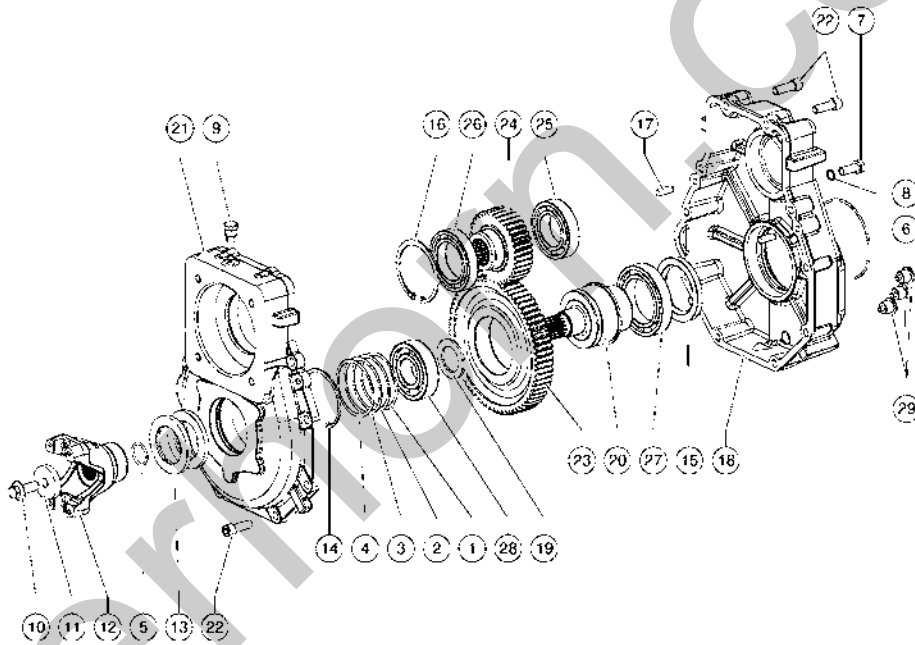
212.1 Front Axle - LH Steering Wheel Assy



## 212.1 Front Axle - LH Steering Wheel Assy

Item	Part No.	Description	Qty.
1	07.0709.1078GT	Nut M12x1.25 8.8 Uni5588 .....	8
2	07.0709.1149GT	Stud Bolts M12x41 .....	8
3	07.0709.1071GT	O-Ring 3925 .....	1
4	07.0709.1069GT	Int. Retaining Ring Br190 .....	1
5	07.0709.1135GT	Crown Wheel .....	1
6	07.0709.1132GT	Shim 99,8X122x0,2 .....	2
7	07.0709.1131GT	Shim 99,8X122x0,1 .....	1
8	07.0709.1133GT	Shim 9,8X122x0,35 .....	1
9	07.0709.1123GT	Nut M16 8 .....	2
10	07.0709.1151GT	End Steering Screw - 128 .....	2
11	07.0709.1080GT	OIL SEAL .....	2
12	07.0709.1148GT	Busching Dx .....	1
13	07.0709.1154GT	Snap Ring 45 Uni7436 .....	1
14	07.0709.1128GT	Crown Shim .....	1
15	07.0709.1127GT	Crown Ring .....	1
16	07.0709.1113GT	Corwn Flange .....	1
17	07.0709.1327GT	WHEEL HUB - 128 .....	1
18	07.0709.1092GT	Hwx Screw M12x20 Uni 5739-8G .....	2
19	07.0709.1079GT	Self-Lock Nut M18x1,5 Din 74361 Only combined with Solid Boss wheel .....	8
20	07.0709.1344GT	CARDAN SHAFT - S128 .....	1
21	07.0709.1120GT	Copper Washer D.18 .....	1
22	07.0709.1152GT	Cap M18x1,5din908 .....	1
23	07.0709.1153GT	Bearing 32020 X .....	2
24	07.0709.1197GT	Ring 145X75x4.5x15.5 Nbr .....	1
25	07.0709.1328GT	BOLT M1BX1,5X68 10.9-128 .....	8
26	07.0709.1350GT	HUB ASSEMBLY .....	1
27	07.0709.1100GT	Articulated Joint Lh - S128 .....	1
28	07.0709.1351GT	NUT .....	8

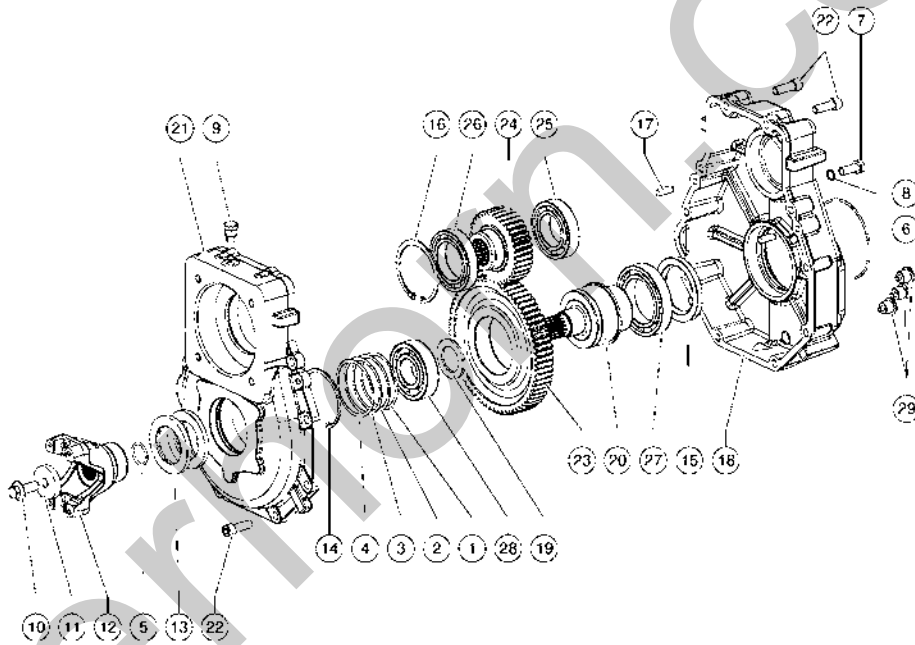
213.1 Front Axle - Reduction Gearbox



## 213.1 Front Axle - Reduction Gearbox

Item	Part No.	Description	Qty.
1	07.0709.1162GT	Shim 80.3X89.7x0.3	1
2	07.0709.1163GT	Shim 80.3X89.7x0.4	1
3	07.0709.1164GT	Shim 80.3X89.7x0.5	1
4	07.0709.1165GT	Shim 80.3X89.7x0.35	1
5	07.0709.1161GT	O-Ring 4112	1
6	07.0709.1178GT	O-Ring 4462	1
7	07.0709.1171GT	Screw M12x30 10.9 Uni5739	4
8	07.0709.1172GT	Shnorr Washer D.12	4
9	07.0709.1177GT	Oil Filler Plug . 1/4G	1
10	07.0709.1095GT	Flanged Screw M14x35 10.9 Din6921	1
11	07.0709.1119GT	Pinion Washer - 128	1
12	07.0709.1125GT	End-Lock Flange - 128	1
13	07.0709.1166GT	Oil Seal 60X90x8	2
14	07.0709.1067GT	Int.retaining Ring D.90 Uni 7437	1
15	07.0709.1081GT	Oil Seal Ba 70X100x10	1
16	07.0709.1068GT	Snap Ring 95 Uni 7437	1
17	07.0709.1143GT	Parallel Pin 10X30 Din6325	2
18	07.0709.1110GT	Gearbox Housing - 128	1
19	07.0709.1118GT	6308 Spacer - 128	1
20	07.0709.1139GT	Driven Shaft - 128	1
21	07.0709.1112GT	Reduction Gear Cover - 128	1
22	07.0709.1377GT	SOCKET HEAD SCREW M12X30 8.8 5931	10
23	07.0709.1168GT	Driven Gear Z69 (R=1.92)- S128	1
24	07.0709.1169GT	Driven Gear Z=30 - 128	1
25	07.0709.1218GT	BEARING 6210/C3	1
26	07.0709.1219GT	BALL BEARING 6012/C3	1
27	07.0709.1220GT	BALL BEARING CLA 6014/C3	1
28	07.0709.1221GT	BEARING	1

213.1 Front Axle - Reduction Gearbox



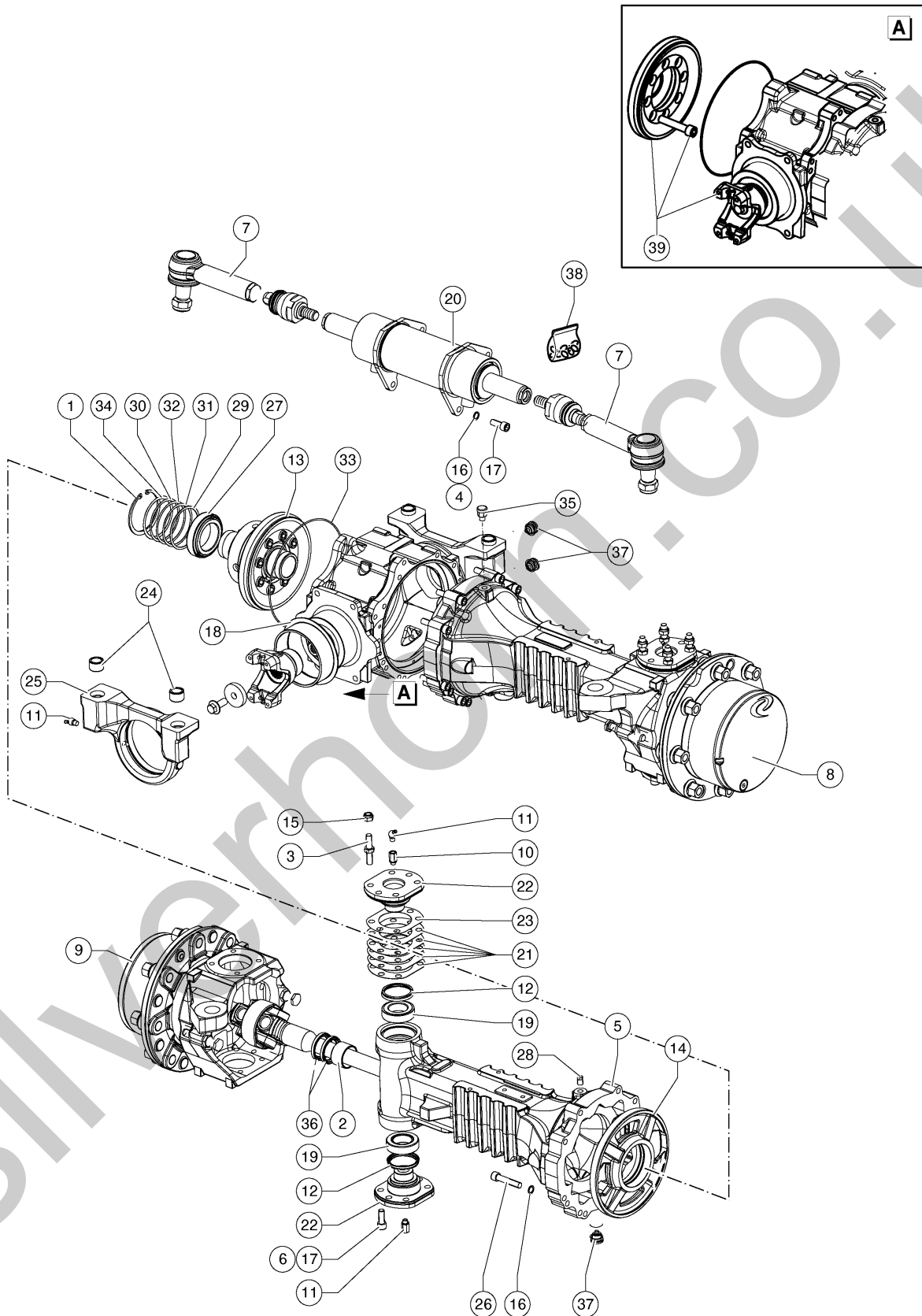


213.1 Front Axle - Reduction Gearbox

<i>Item</i>	<i>Part No.</i>	<i>Description</i>	<i>Qty.</i>
29	07.0709.1198GT	Magnetic Plug 1/2 Gas Din908 .....	3

Silverhorn.CO.UK

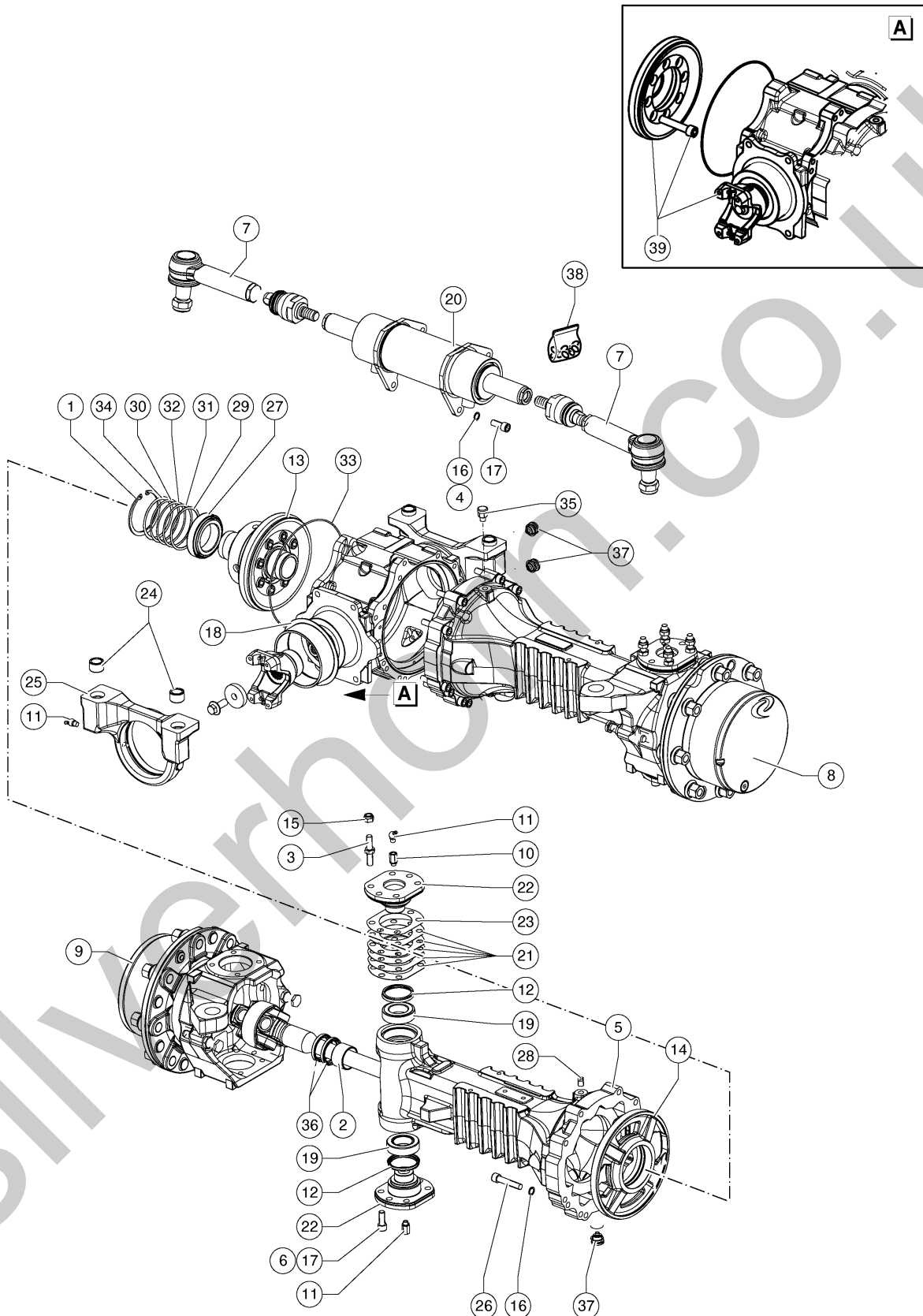
214.1 Rear Axle - Differential



## 214.1 Rear Axle - Differential

Item	Part No.	Description	Qty.
1	07.0709.1068GT	Snap Ring 95 Uni 7437 .....	2
2	07.0709.1148GT	Busching Dx .....	2
3	07.0709.1182GT	Double-Screw M12x30 10.9 Uni5739 .....	8
4	07.0709.1343GT	WASHER D.12 .....	6
5	07.0709.1200GT	Side Housing l=1530 .....	2
6	07.0709.1377GT	SOCKET HEAD SCREW M12X30 8.8 5931 .....	12
7	07.0709.1098GT	Tie Rod .....	2
8	07.0709.1326GT	RH STEERING WHEEL ASSY .....	1
9	07.0709.1329GT	LH STEERING WHEEL ASSY .....	1
10	07.0709.1085GT	Extensiosion M10x1 .....	4
11	07.0709.1083GT	Greaser 45° M10x1 .....	6
12	07.0709.1181GT	Dust Ring - 128 .....	4
13	07.0709.1348GT	Differential Unit .....	1
14	07.0709.1105GT	Differential Flage - S128 .....	2
15	07.0709.1122GT	Locknut M12 H11,8 .....	8
16	07.0709.1172GT	Shnorr Washer D.12 .....	28
17	07.0709.1183GT	Socket Head Screw M12x30 12.9 5931 .....	16
18	07.0709.1116GT	Pivot Bushing - 128 .....	2
19	07.0709.1077GT	Ball Joint Ge40sx .....	4
20	07.0709.1349GT	Steering Cylinder .....	1
21	07.0709.1180GT	Articulated-Joint Shim 0.2 - 128 .....	10
22	07.0709.1114GT	Flaged Pin - 128 .....	4
23	07.0709.1179GT	Articulated-Joint Shim 0.1 - 128 .....	2
24	07.0709.1115GT	07.0709.1115GT .....	4
25	07.0709.1107GT	Central Pivot - S128 .....	2
26	07.0709.1093GT	Bolt M12x60 Uni5031-12.9 .....	24
27	07.0709.1124GT	Bearing 32012 X .....	2
28	07.0709.1187GT	Plug 1/4"Gas .....	1

214.1 Rear Axle - Differential



## 214.1 Rear Axle - Differential

Item	Part No.	Description	Qty.
29	07.0709.1088GT	Shim 85,3X94,7x1 .....	2
30	07.0709.1184GT	Shim 94.7X85.3x0.3 .....	2
31	07.0709.1185GT	Shim 85.3X0.5 .....	2
32	07.0709.1186GT	Shim 94.7X85.3x0.35 .....	2
33	07.0709.1071GT	O-Ring 3925 .....	2
34	07.0709.1087GT	Shim 82.4X94.7x0,2 .....	2
35	07.0709.1177GT	Oil Filler Plug . 1/4G .....	1
36	07.0709.1080GT	OIL SEAL .....	4
37	07.0709.1198GT	Magnetic Plug 1/2 Gas Din908 .....	4
38	07.0709.1212GT	Cylinder Seal Kit .....	1
39	07.0709.1346GT	Pinion Housing .....	1

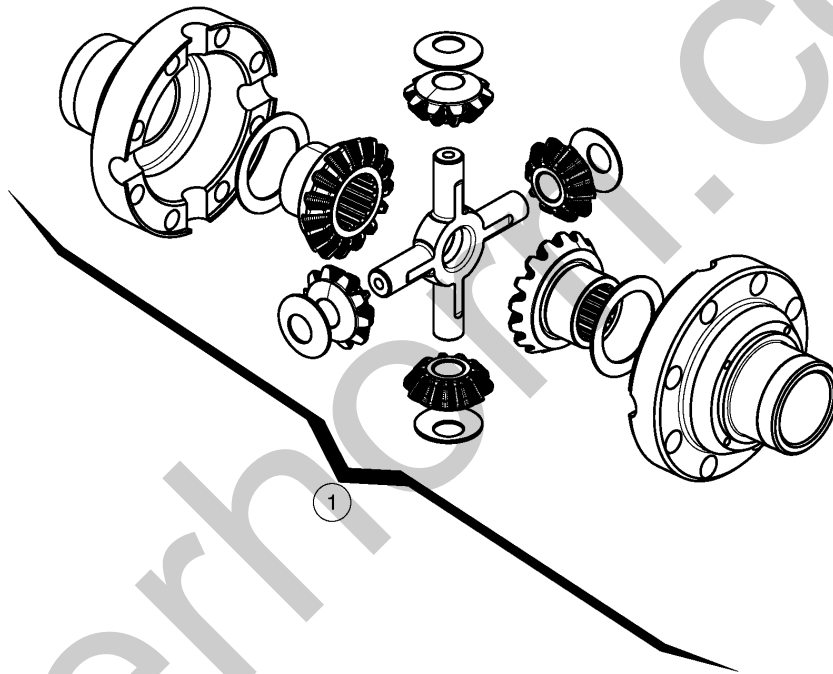
215.1 Rear Axle - Pinion Housing



## 215.1 Rear Axle - Pinion Housing

Item	Part No.	Description	Qty.
1	07.0709.1347GT	CENTRAL HOUSING .....	1
2	07.0709.1167GT	Lock Nut M40x1.5 .....	1
3	07.0709.1166GT	Oil Seal 60X90x8 .....	2
4	07.0709.1215GT	TAPER ROLLER BEARING .....	2
5	07.0709.1134GT	Anti-Rotation Washer .....	1
6	07.0709.1164GT	Shim 80.3X89.7x0.5 .....	1
7	07.0709.1165GT	Shim 80.3X89.7x0.35 .....	1
8	07.0709.1162GT	Shim 80.3X89.7x0.3 .....	1
9	07.0709.1163GT	Shim 80.3X89.7x0.4 .....	1
10	07.0709.1095GT	Flanged Screw M14x35 10.9 Din6921 .....	1
11	07.0709.1119GT	Pinion Washer - 128 .....	1
12	07.0709.1125GT	End-Lock Flange - 128 .....	1
13	07.0709.1161GT	O-Ring 4112 .....	1
14	07.0709.1130GT	COLLAPSIBLE SPACER .....	2
15	07.0709.1160GT	Screw Tcei12.9 M14x70 5931 .....	8
16	07.0709.1216GT	Bevel Gears .....	1

216.1 Rear Axle - Differential Group





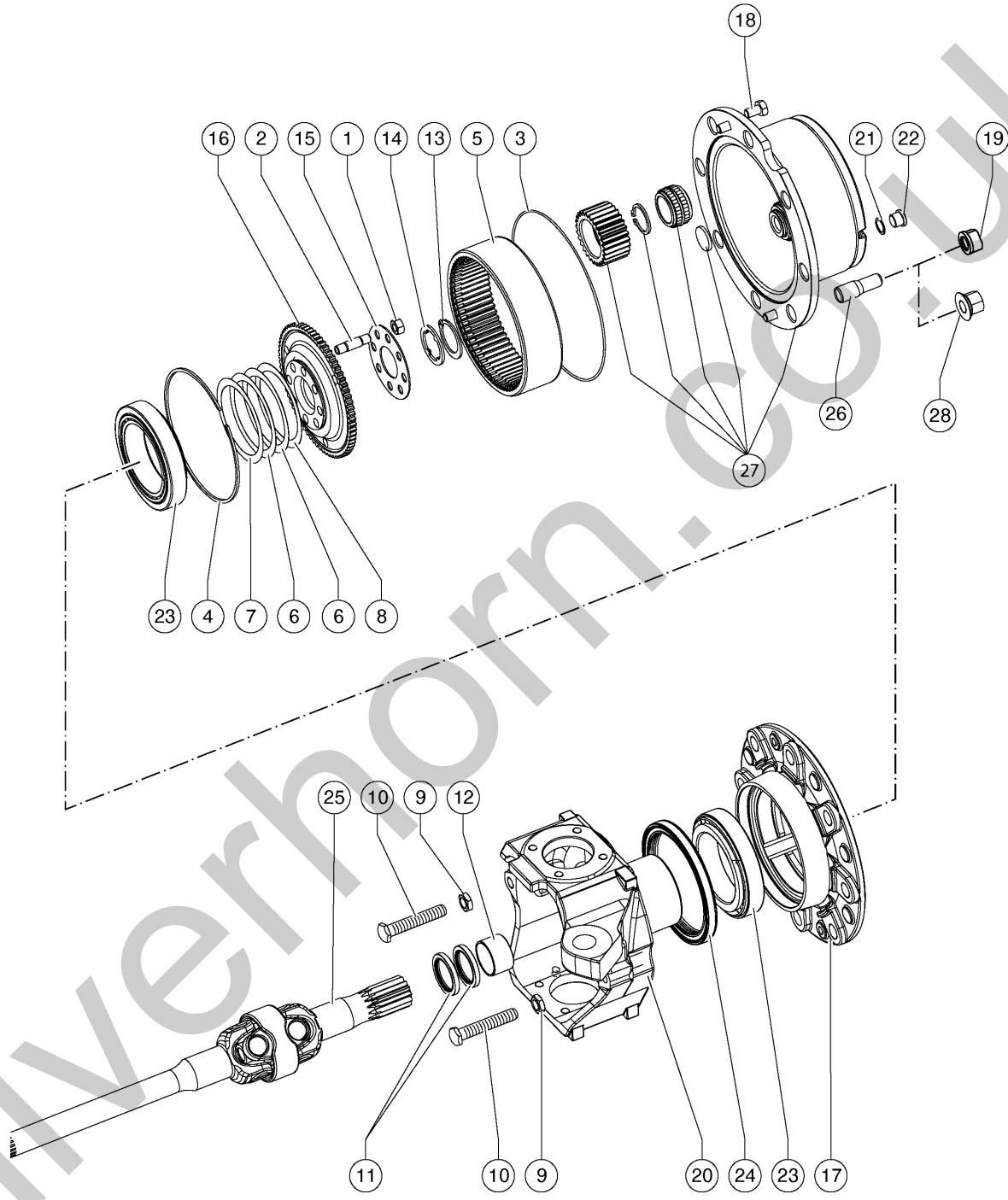
216.1 Rear Axle - Differential Group

<i>Item</i>	<i>Part No.</i>	<i>Description</i>	<i>Qty.</i>
1	07.0709.1348GT	Differential Unit .....	1

Silverhorn.CO.UK



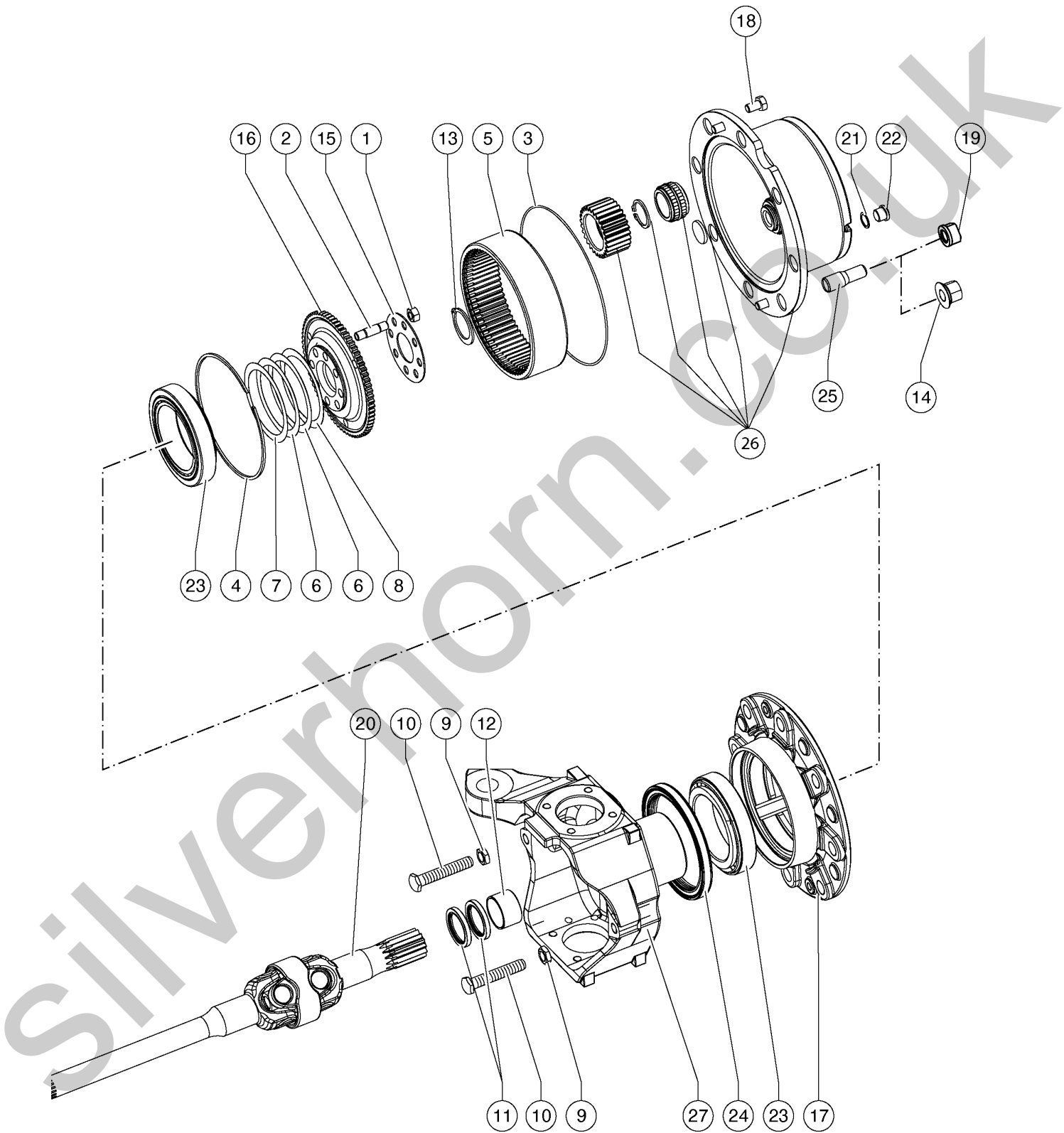
217.1 Rear Axle - RH Steering Wheel Assy



## 217.1 Rear Axle - RH Steering Wheel Assy

Item	Part No.	Description	Qty.
1	07.0709.1078GT	Nut M12x1.25 8.8 Uni5588 .....	8
2	07.0709.1149GT	Stud Bolts M12x41 .....	8
3	07.0709.1071GT	O-Ring 3925 .....	1
4	07.0709.1069GT	Int. Retaining Ring Br190 .....	1
5	07.0709.1135GT	Crown Wheel .....	1
6	07.0709.1132GT	Shim 99,8X122x0,2 .....	2
7	07.0709.1131GT	Shim 99,8X122x0,1 .....	1
8	07.0709.1133GT	Shim 9,8X122x0,35 .....	1
9	07.0709.1123GT	Nut M16 8 .....	2
10	07.0709.1151GT	End Steering Screw - 128 .....	2
11	07.0709.1080GT	OIL SEAL .....	2
12	07.0709.1148GT	Busching Dx .....	1
13	07.0709.1154GT	Snap Ring 45 Uni7436 .....	1
14	07.0709.1128GT	Crown Shim .....	1
15	07.0709.1127GT	Crown Ring .....	1
16	07.0709.1113GT	Corwn Flange .....	1
17	07.0709.1327GT	WHEEL HUB - 128 .....	1
18	07.0709.1092GT	Hwx Screw M12x20 Uni 5739-8G .....	2
19	07.0709.1351GT	NUT .....	8
20	07.0709.1101GT	Articulated Joint Rh - S128 .....	1
21	07.0709.1120GT	Copper Washer D.18 .....	1
22	07.0709.1152GT	Cap M18x1,5din908 .....	1
23	07.0709.1153GT	Bearing 32020 X .....	2
24	07.0709.1197GT	Ring 145X75x4.5x15.5 Nbr .....	1
25	07.0709.1096GT	Cardan Shaft l=1390 - S128 .....	1
26	07.0709.1328GT	BOLT M1BX1,5X68 10.9-128 .....	8
27	07.0709.1350GT	HUB ASSEMBLY .....	1
28	07.0709.1079GT	Self-Lock Nut M18x1,5 Din 74361 Only combined with Solid Boss wheel .....	8

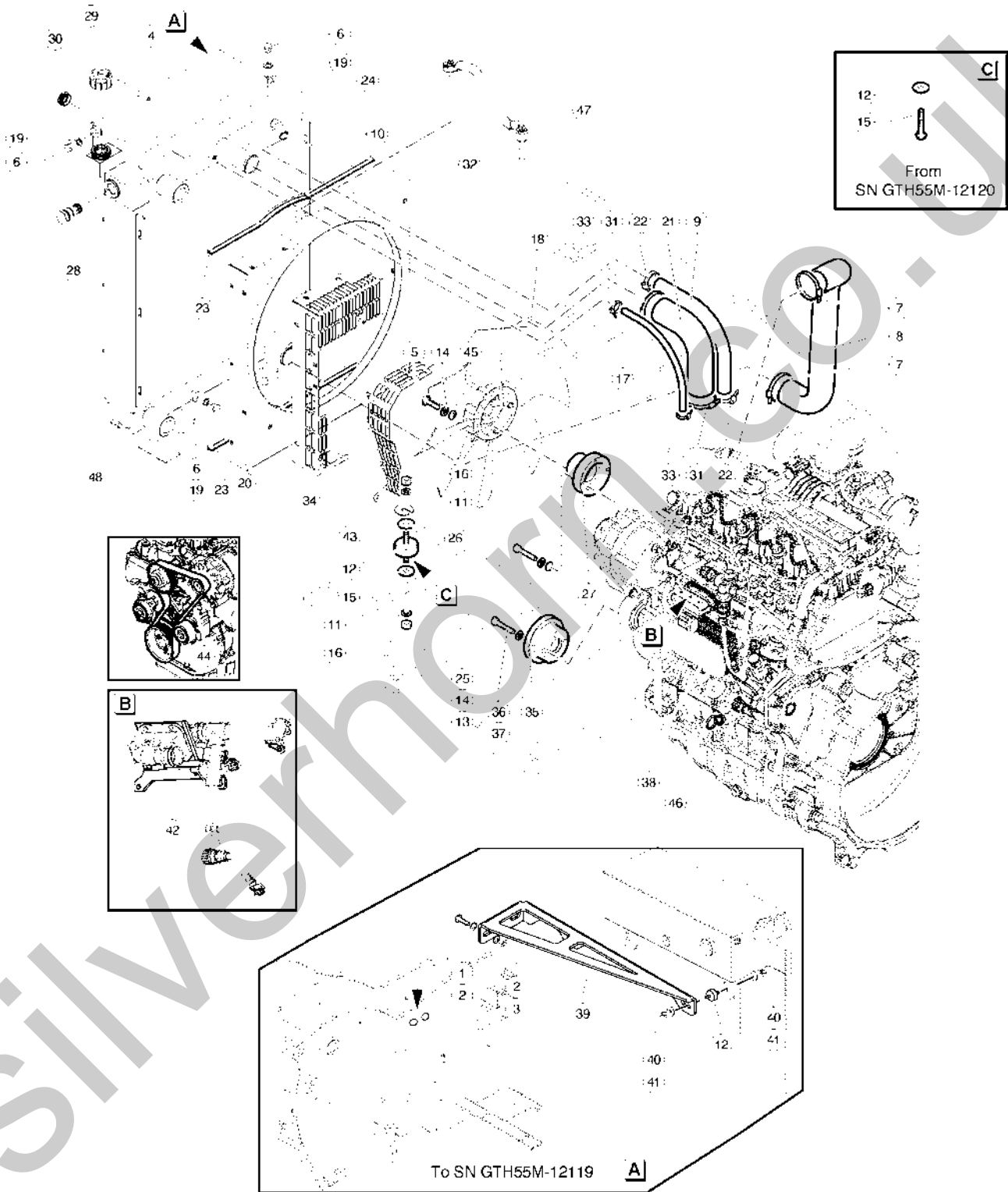
218.1 Rear Axle - LH Steering Wheel Assy



## 218.1 Rear Axle - LH Steering Wheel Assy

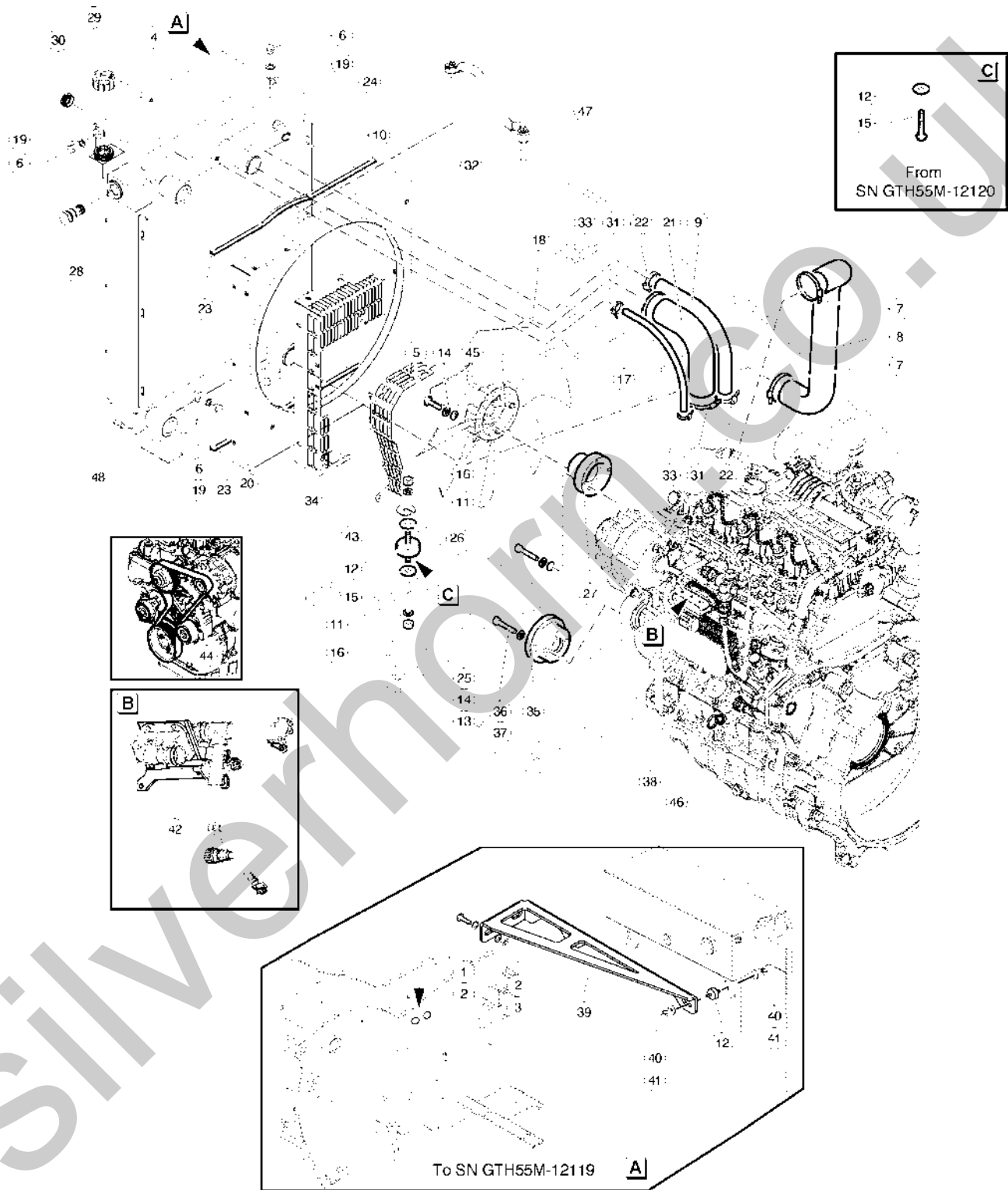
Item	Part No.	Description	Qty.
1	07.0709.1078GT	Nut M12x1.25 8.8 Uni5588 .....	8
2	07.0709.1149GT	Stud Bolts M12x41 .....	8
3	07.0709.1071GT	O-Ring 3925 .....	1
4	07.0709.1069GT	Int. Retaining Ring Br190 .....	1
5	07.0709.1135GT	Crown Wheel .....	1
6	07.0709.1132GT	Shim 99,8X122x0,2 .....	2
7	07.0709.1131GT	Shim 99,8X122x0,1 .....	1
8	07.0709.1133GT	Shim 9,8X122x0,35 .....	1
9	07.0709.1123GT	Nut M16 8 .....	2
10	07.0709.1151GT	End Steering Screw - 128 .....	2
11	07.0709.1080GT	OIL SEAL .....	2
12	07.0709.1148GT	Busching Dx .....	1
13	07.0709.1154GT	Snap Ring 45 Uni7436 .....	1
14	07.0709.1079GT	Self-Lock Nut M18x1,5 Din 74361 Only combined with Solid Boss wheel .....	8
15	07.0709.1127GT	Crown Ring .....	1
16	07.0709.1113GT	Corwn Flange .....	1
17	07.0709.1327GT	WHEEL HUB - 128 .....	1
18	07.0709.1092GT	Hwx Screw M12x20 Uni 5739-8G .....	2
19	07.0709.1351GT	NUT .....	8
20	07.0709.1096GT	Cardan Shaft l=1390 - S128 .....	1
21	07.0709.1120GT	Copper Washer D.18 .....	1
22	07.0709.1152GT	Cap M18x1,5din908 .....	1
23	07.0709.1153GT	Bearing 32020 X .....	2
24	07.0709.1197GT	Ring 145X75x4.5x15.5 Nbr .....	1
25	07.0709.1328GT	BOLT M1BX1,5X68 10.9-128 .....	8
26	07.0709.1350GT	HUB ASSEMBLY .....	1
27	07.0709.1100GT	Articulated Joint Lh - S128 .....	1

301.1 Cooling System



Item	Part No.	Description	Qty.
1	01.0001.1465GT	SCREW TE M8X40 UNI 5739 8.8 ZN To SN GTH55M-12119	2
2	01.4031.0004GT	FLAT WASHER D8X32 UNI 6593 ZN To SN GTH55M-12119	4
3	01.0023.0054GT	NUT M8 UNI 7473 6S ZN To SN GTH55M-12119	2
4	09.0805.0225GT	RUBBER PIPE	1
5	01.0001.0254GT	SCREW M8X20 UNI 5739 8.8 ZN	4
6	04.0220.0051GT	PLUG 1/4" BSP	3
7	04.0227.0058GT	CLAMP DN 40/60 LG12	2
8	53.3001.6747GT	Radiator Hose	1
9	53.3001.6789GT	Radiator Manifold	1
10	53.3200.0088GT	Complete Radiator	1
11	01.4032.0004GT	WASHER, LOCK, M10, DIN127	4
12	09.4670.0022GT	Insulator To SN GTH55M-12119	4
12	01.0031.0301GT	FLAT WASHER D10 UNI 6593 ZN From SN GTH55M-12120	2
13	01.0031.0299GT	FLAT WASHER D8 UNI 6593 ZN	2
14	01.4032.0003GT	Spring Washer D 8 ZN	18
15	01.4031.0003GT	WASHER, D12 UNI 6593 ZN To SN GTH55M-12119	2
15	01.0001.0303GT	Screw TE M10X45 UNI 5737 8.8 ZN From SN GTH55M-12120	2
16	01.0019.0105GT	NUT M10 UNI 5588 6S ZN To SN GTH55M-12119	4
17	53.3001.6806GT	Rubber Hose	1
18	07.0712.0314GT	Fan	1
19	06.0442.0117GT	BONDED RING 1/4"	3
20	07.0712.0322GT	Fan Guard	1
21	53.3001.5500GT	HOSE, UPPER RADIATOR	1
22	04.0227.0068GT	CLAMP DN 22/32 LG 9	2
23	07.0712.0320GT	Rubber Seal	1
24	07.0712.0316GT	Radiator	1
24-	218715GT	COOLNT LEVL SENSR, DEUTZTCD3.6	1
24-	1273075GT	SEALING WASHER	1

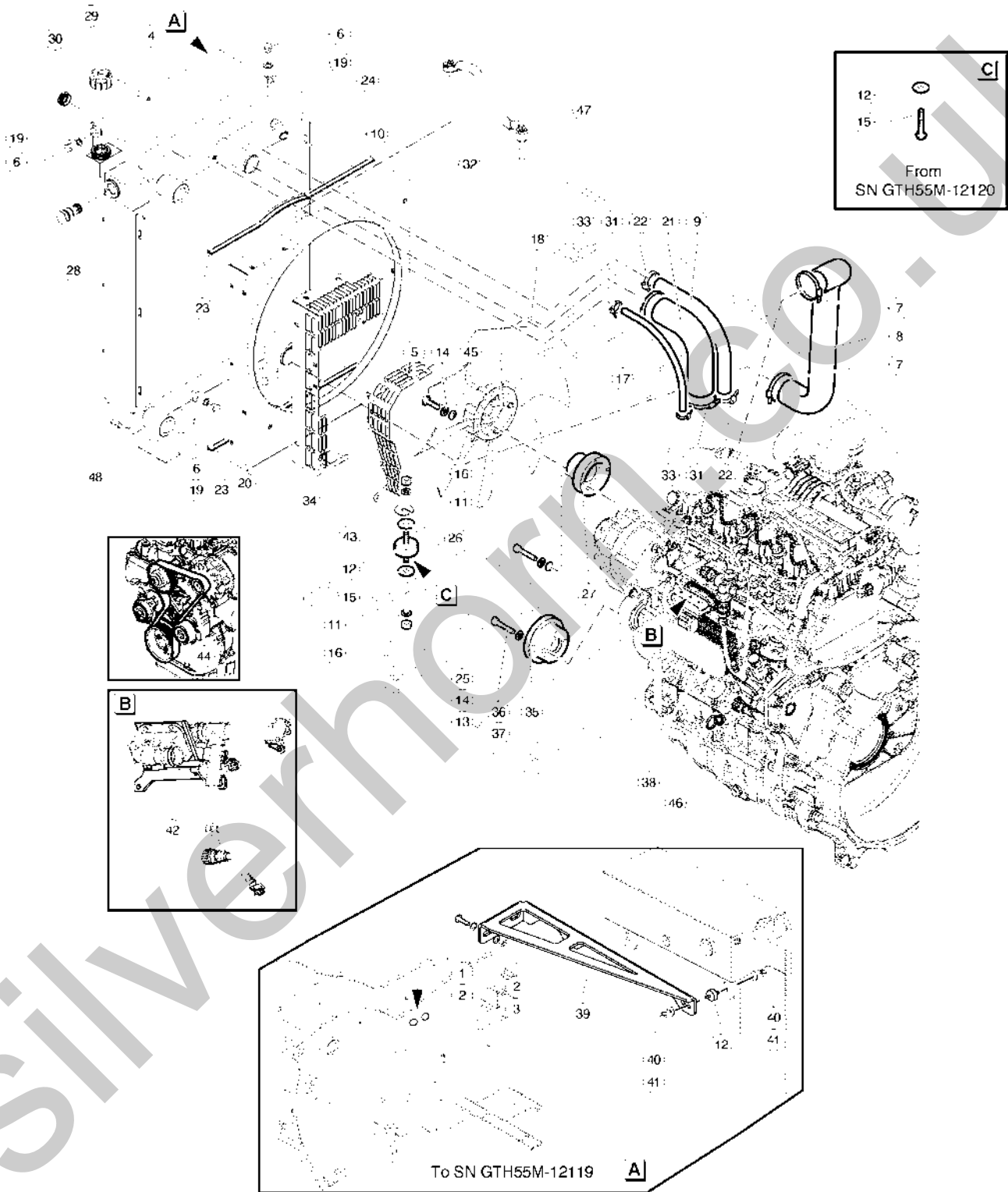
301.1 Cooling System





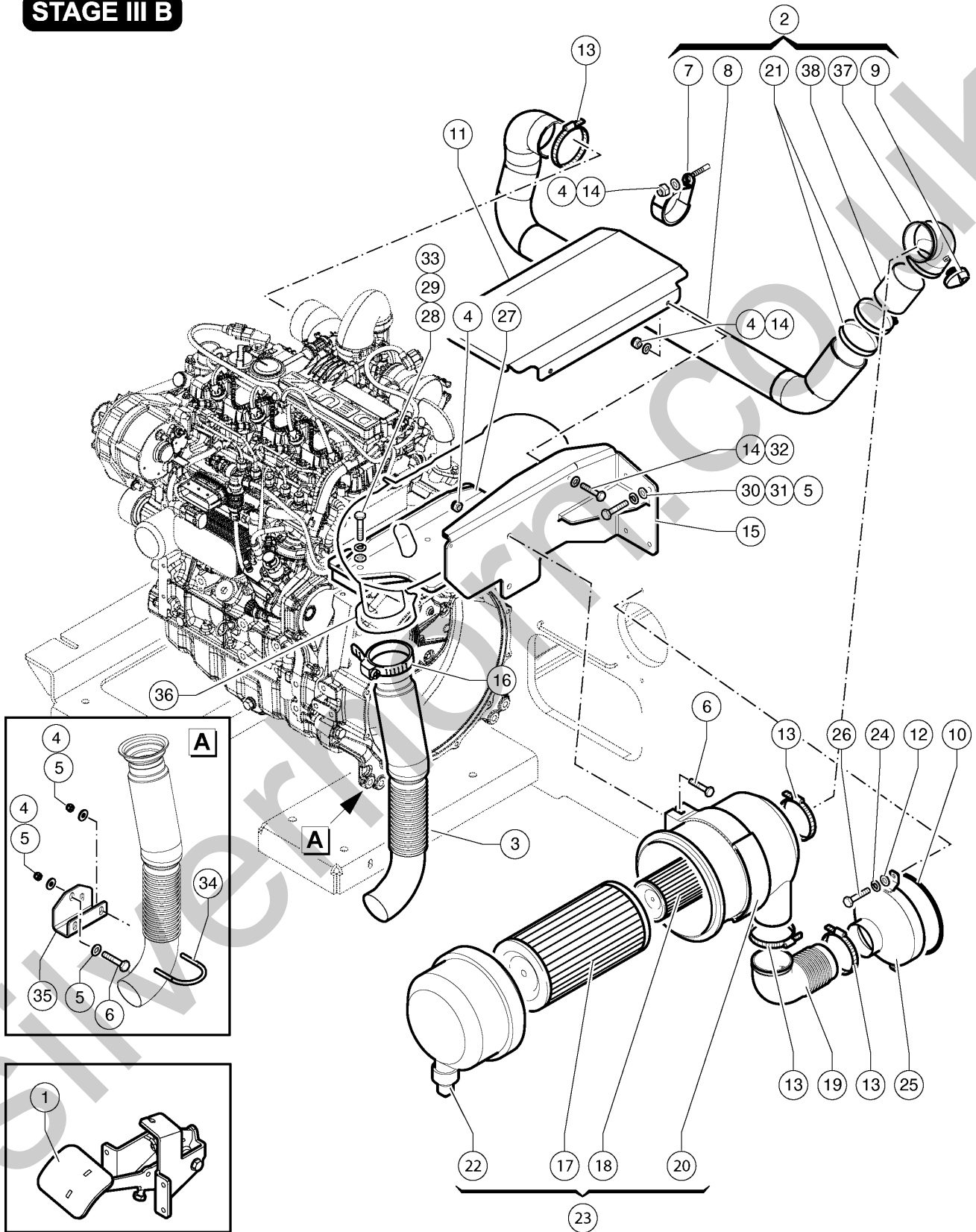
Item	Part No.	Description	Qty.
25	01.0003.0210GT	SCREW M8X50 UNI 5931 8.8 ZN .....	4
26	54.0100.0005GT	WASHER .....	5
27	54.0100.0135GT	PULLEY - GTH5519 .....	1
28	07.0712.0317GT	BY-PASS VALVE .....	1
29	07.0712.0318GT	CAP .....	1
30	07.0712.0319GT	LEVEL INDICATOR 3/4" .....	1
31	04.0227.0503GT	Clamp .....	2
32	07.0712.0321GT	Conveyor .....	1
33	04.0227.0051GT	CLAMP DN 10/16 LG 9 .....	4
34	07.0712.0323GT	Alternator Guard Cover .....	1
35	54.0100.0127GT	Pulley .....	1
36	01.4032.0004GT	WASHER, LOCK, M10, DIN127 .....	4
37	01.0003.0959GT	Screw M10 X 40 LG.8.8 ZN UNI 5931 .....	4
38	1260357GT	OIL COOLER, TD2.9 For Deutz Engine Version .....	1
39	51.0811.4763GT	Bracket To SN GTH55M-12119 .....	1
40	01.0031.0301GT	FLAT WASHER D10 UNI 6593 ZN To SN GTH55M-12119 .....	4
41	01.0023.0055GT	Stop Nut M10 UNI 7473 6S ZN To SN GTH55M-12119 .....	4
42	07.0501.0052GT	Bracket Kit .....	1
43	54.0100.0153GT	SHIM .....	2
44	07.4501.0289GT	Belt .....	1
45	01.0031.0055GT	FLAT WASHER D8 UNI 6592 ZN .....	6
46	07.0501.0097GT	DIPSTICK .....	1
47	1299415GT	ASSEMBLY, CONNECTION, RADIATOR From SN GTH55M-12120 .....	1
47-	1297703GT	TUBE, BENT, CONNECTION From SN GTH55M-12120 to SN GTH55M-13388 .....	
47-	1310458GT	TUBE, BENT, CONNECTION From SN GTH55M-13389, (Buy with 1310459) .....	
47-	1297704GT	SPACER, THREADED, M12 From SN GTH55M-12120 to SN GTH55M-13388 .....	
47-	1310459GT	SPACER, TRHREADED, M12 From SN GTH55M-13389, (Buy with 1310458) .....	
47-	01.0001.0252GT	SCREW M8X16 UNI 5739 8.8 ZN From SN GTH55M-12120 .....	

301.1 Cooling System



<i>Item</i>	<i>Part No.</i>	<i>Description</i>	<i>Qty.</i>
47-	01.0031.0299GT	FLAT WASHER D8 UNI 6593 ZN ..... From SN GTH55M-12120	
47-	1303804GT	WHASHER, FLAT, M6X30 ..... From SN GTH55M-12120	
47-	01.4032.0003GT	Spring Washer D 8 ZN ..... From SN GTH55M-12120	
47-	231531GT	SCREW,HHF,M6X30,DIN6921,10.9,Y ..... From SN GTH55M-12120	
47-	1303109GT	INSULATOR, RADIATOR MOUNT ..... From SN GTH55M-12120	
48	1297705GT	GASKET, RADIATOR ..... From SN GTH55M-12120	2

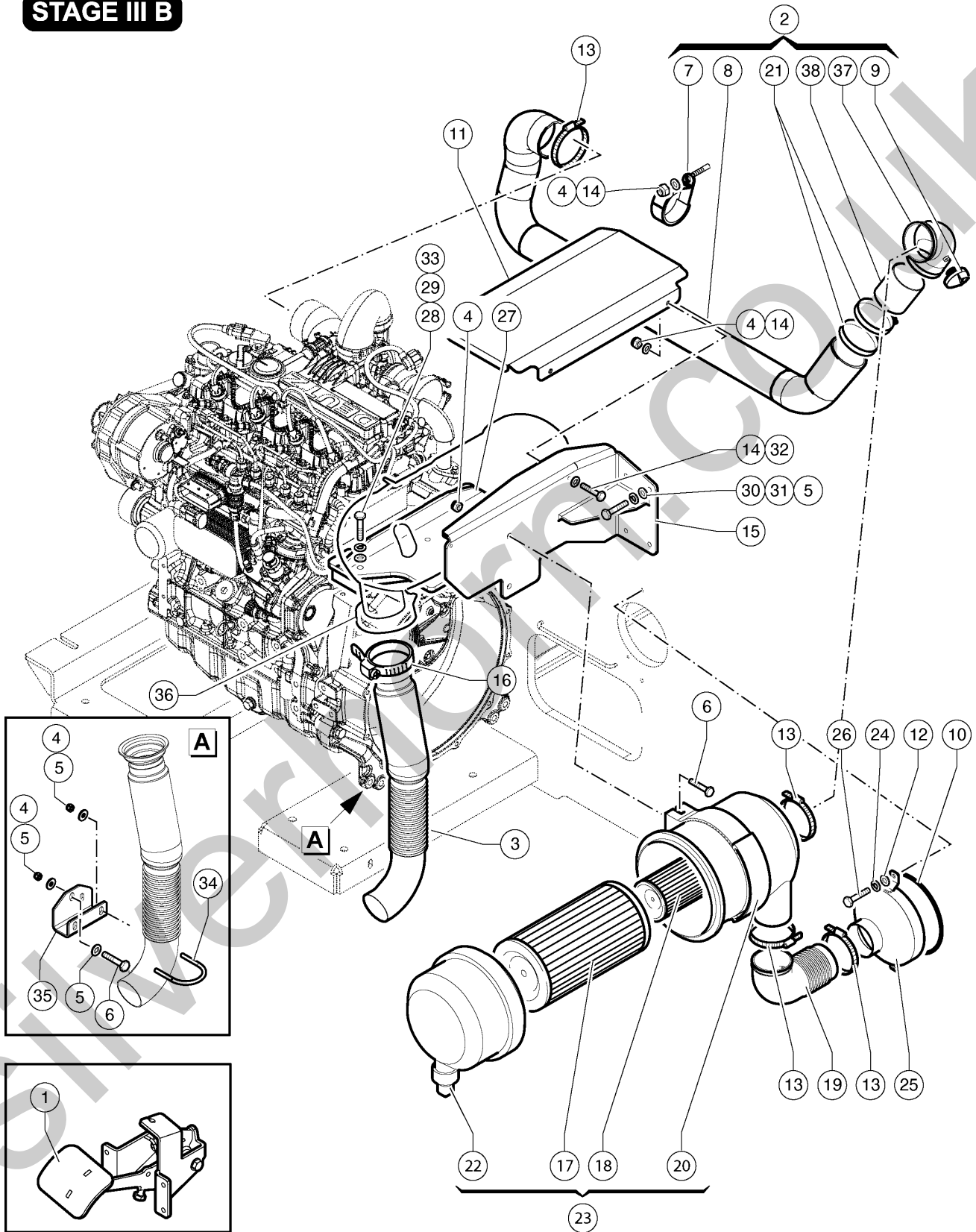
**STAGE III B**



## 302.1 Exhaust System, Injection, Accelerator - Stage IIIB Engine

Item	Part No.	Description	Qty.
1	09.4656.0020GT	Complete Throttle Pedal .....	1
2	55.0208.0147GT	Air Suction Manifold Assembly .....	1
3	58.2513.9083GT	Kit Exhaust Pipe Includes Items 4, 5, 34, 35 .....	1
4	01.0023.0054GT	NUT,M8 UNI 7473 6S ZN .....	8
5	01.0031.0299GT	FLAT WASHER D8 UNI 6593 ZN .....	8
6	01.0001.1465GT	SCREW TE M8X40 UNI 5739 8.8 ZN .....	3
7	04.4227.0049GT	RUBBER CLAMP D.70 .....	1
8	09.0805.0226GT	AIR FILTER RUBBER MANIFOLD .....	1
9	09.4604.0076GT	Sensor .....	1
10	07.0723.0089GT	SEAL STRIP .....	23
11	51.0903.5046GT	Cover .....	1
12	01.0031.0054GT	FLAT WASHER D6 UNI 6592 ZN .....	2
13	04.0227.0000GT	Clamp 60x80 .....	4
14	01.0031.0055GT	FLAT WASHER D8 UNI 6592 ZN .....	2
15	51.0811.4553GT	Air filter support .....	1
16	825015GT	CLAMP, T4 TCD3.6 DOC .....	1
17	07.0700.0040GT	Main Air Filter Element .....	1
18	07.0700.0041GT	Secondary Air Filter Element .....	1
19	53.3001.6792GT	HOSE,INTAKE .....	1
20	07.0700.0052GT	Bracket, Air Filter .....	1
21	04.4227.0000GT	CLAMP DN 60/80 LG12 .....	2
22	07.0700.0035GT	Output Valve .....	1
23	09.4604.0069GT	Air Filter Kit .....	1
24	01.4032.0002GT	SPRING WASHER D6 ZN .....	2
25	53.3001.6749GT	Air Filter Manifold .....	1
26	01.0001.0154GT	SCREW,TE,M6X16 UNI 8.8 ZN .....	2
27	51.0811.4552GT	Cover .....	1
28	01.0031.0056GT	FLAT WASHER D10 UNI 6592 ZN .....	4

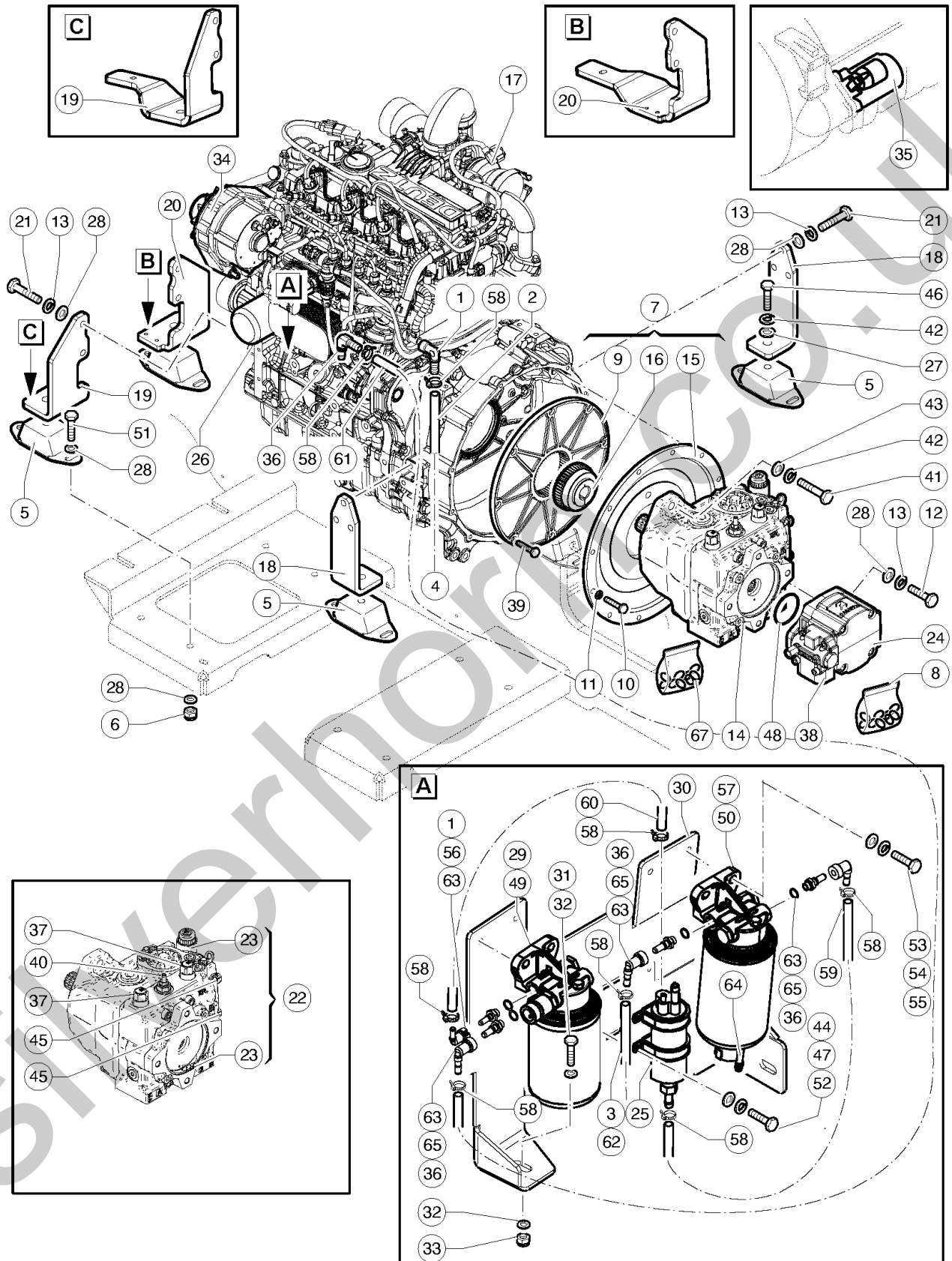
**STAGE III B**



## 302.1 Exhaust System, Injection, Accelerator - Stage IIIB Engine

<i>Item</i>	<i>Part No.</i>	<i>Description</i>	<i>Qty.</i>
29	01.4032.0004GT	WASHER,LOCK,M10,DIN127 .....	4
30	01.0001.0257GT	SCREW M8X30 UNI 5739 8.8 ZN .....	4
31	01.4032.0003GT	Spring Washer D 8 ZN .....	4
32	01.0001.0256GT	SCREW M8X25 UNI 5739 8.8 ZN .....	2
33	01.0001.0308GT	Screw TE M10X70 UNI 5737 8.8 ZN .....	4
34	51.0811.4706GT	U-Bolt Pipe Hanger .....	1
35	51.0811.4704GT	Bracket .....	1
36	07.4501.0400GT	EAT KIT .....	1
37	07.0700.0053GT	RUBBER ELBOW .....	1
38	53.3001.6798GT	PIPE .....	1

303.1 Hydraulic Pumps (to SN GTH55M-15671, Excluded GTH55M-15503, 15549, 15659)

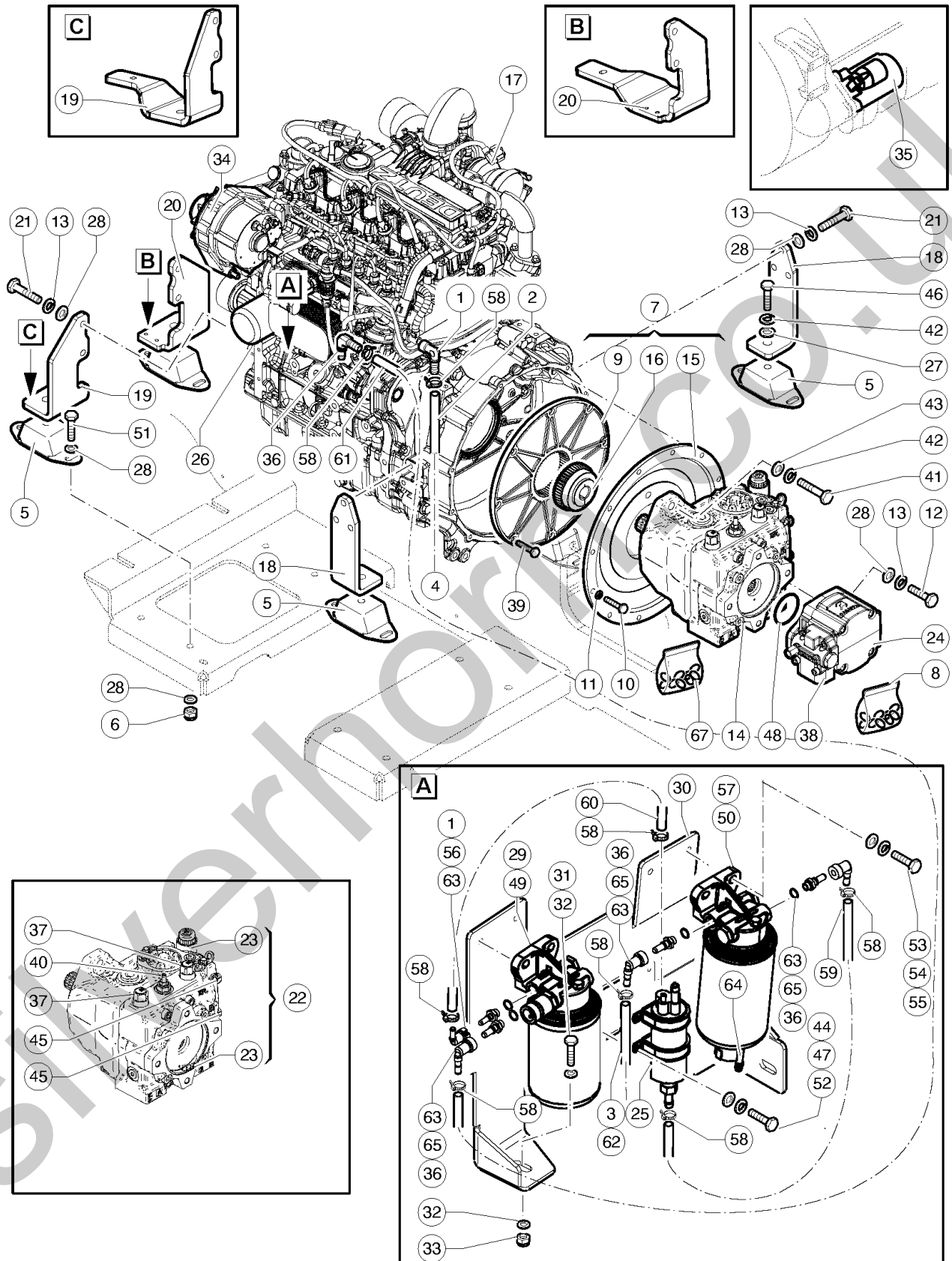




## 303.1 Hydraulic Pumps (to SN GTH55M-15671, Excluded GTH55M-15503, 15549, 15659)

Item	Part No.	Description	Qty.
1	826000GT	CONNECTOR, SAE10, QUICK CONNECT .....	2
2	09.0805.0171GT	HOSE .....	138
3		Ref. Rear Chassis .....	
		(Ref. 201.1)	
4		Ref. Rear Chassis .....	
		(Ref. 201.1)	
5	09.4670.0027GT	Insulator .....	4
		To SN GTH55M-12119	
5	1303110GT	INSULATOR, ENGINE MOUNT .....	4
		From SN GTH55M-12120	
6	01.0023.0056GT	STOP NUT M12 UNI 7473 6S ZN .....	16
7	09.0804.3462GT	PUMP MOUNTING FLANGE SAE4.4S .....	1
8	07.4529.0209GT	SEAL KIT .....	1
		Kit For 04.4238.0059	
9	07.0713.0061GT	FLANGE .....	1
10	01.0001.0355GT	SCREW M10X25 UNI 5739 8.8 ZN .....	10
11	01.4032.0004GT	WASHER, LOCK, M10, DIN127 .....	12
12	01.0001.0506GT	SCREW M12X30 UNI 5739 8.8 ZN .....	2
13	01.4032.0005GT	SPRING WASHER D12 ZN .....	12
14	04.4238.0112GT	TRACTION PUMP H1P045 .....	1
15	07.0713.0075GT	PUMP MOUNTING FLANGE .....	1
16	07.0713.0076GT	HUB .....	1
17	09.4601.0072GT	ENGINE, DEUTZ .....	1
		Stage IIIB Version	
17	09.4601.0082GT	DIESEL ENGINE .....	1
		Stage IIIA Version	
18	51.0811.4413GT	SUPPORT, ENGINE, FWHL .....	1
19	51.0811.4841GT	ENGINE SUPPORT .....	1
		To SN GTH55M-12119	
19	1297701GT	SUPPORT, ENGINE AND RADIATOR ON MOUNT .....	1
		From SN GTH55M-12120	
20	51.0811.4414GT	SUPPORT, ENGINE, FRONT L .....	1
		To SN GTH55M-12119	
20	1297702GT	SUPPORT, ENGINE AND RADIATOR ON MOUNT .....	1
		From SN GTH55M-12120	
21	01.0001.0508GT	SCREW, M12X40, UNI 5739, 8.8 ZN .....	10
22	1300188GT	EDC KIT, 12 VOLT .....	1
23	07.0706.0050GT	VALVE .....	2
24	04.4238.0059GT	HYDRAULIC PUMP 2 .....	1

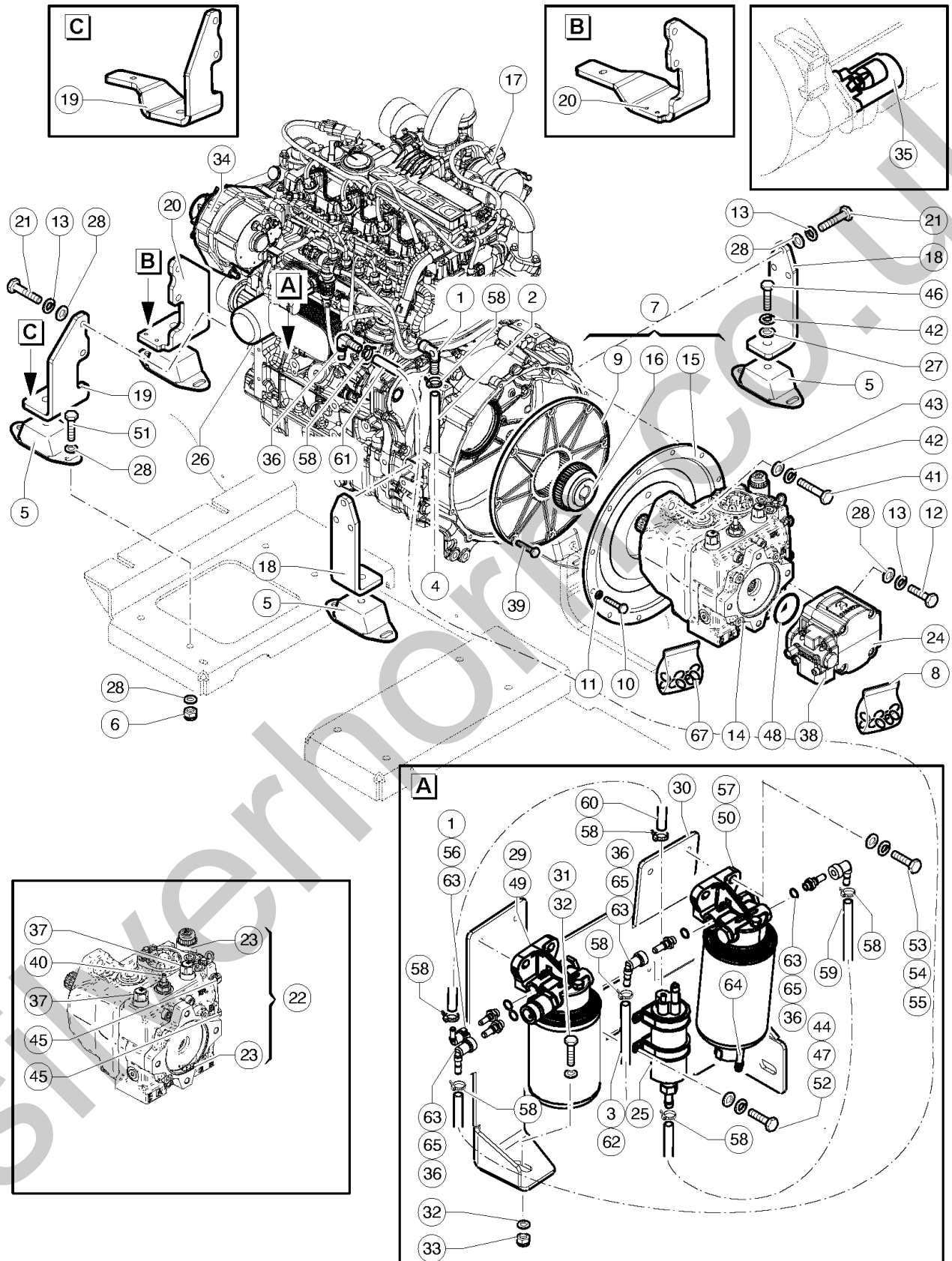
303.1 Hydraulic Pumps (to SN GTH55M-15671, Excluded GTH55M-15503, 15549, 15659)



## 303.1 Hydraulic Pumps (to SN GTH55M-15671, Excluded GTH55M-15503, 15549, 15659)

Item	Part No.	Description	Qty.
25	236259GT	LIFT PUMP,FUEL,DEUTZ TCD3.6	1
26	07.4501.0067GT	FILTER,OIL For US Market Can Be Sold P.N. 49924	1
27	01.0031.0059GT	FLAT WASHER D16 UNI 6592 ZN	4
28	01.0031.0057GT	WASHER, FLAT, D12, UNI 6592, ZN	12
29	214228GT	FILTER, FUEL SPIN-ON, DEUTZ	1
30	51.0811.4722GT	FILTER SUPPORT	1
31	01.0001.0258GT	SCREW M8X35 UNI 5739 8.8 ZN	3
32	01.0031.0299GT	FLAT WASHER D8 UNI 6593 ZN	6
33	01.0023.0054GT	NUT,M8 UNI 7473 6S ZN	3
34	07.0501.0051GT	ALTERNATOR	1
35	1254594GT	STARTER,3.2KW,DEUTZ D2.9	1
36	1293433GT	CONNECTOR, SAE12, QUICK CONNECT	4
37	1300186GT	HIGH PRESSURE RELIEF VALVE	2
38	07.0722.0053GT	VALVE,LOAD SENSE	1
39	01.0003.0255GT	SCREW M10X25 UNI 5931 8.8 ZN	8
40	07.0706.0054GT	MAX, PRESSURE VALVE	1
41	01.0001.0606GT	SCREW M14X40 UNI 5739 8.8 ZN	2
42	01.4032.0006GT	SPRING WASHER D14 ZN	2
43	01.0031.0058GT	FLAT WASHER D14 UNI 6592 ZN	2
44	01.4001.0045GT	Screw TE M 5X10 UNI 5739 8.8 ZN	4
45	07.0706.0053GT	Valve	2
46	01.0001.1557GT	SCREW, HHC, M16 x 50 LG.8.8 ZN UNI 5739 , DIN 933	4
47	01.4032.0001GT	WASHER,SPRING,D5 ZN	4
48	07.0701.0211GT	O-RING,R909154589 REXROTH	1
49	07.4501.0304GT	FUEL FILTER	1
50	07.4501.0285GT	FUEL PRE-FILTER For US Market Can Be Sold P.N. 236260	1
51	01.0001.0508GT	SCREW, M12X40, UNI 5739, 8.8 ZN	16
52	01.0031.0053GT	FLAT WASHER D5 UNI 6592 ZN	4

303.1 Hydraulic Pumps (to SN GTH55M-15671, Excluded GTH55M-15503, 15549, 15659)

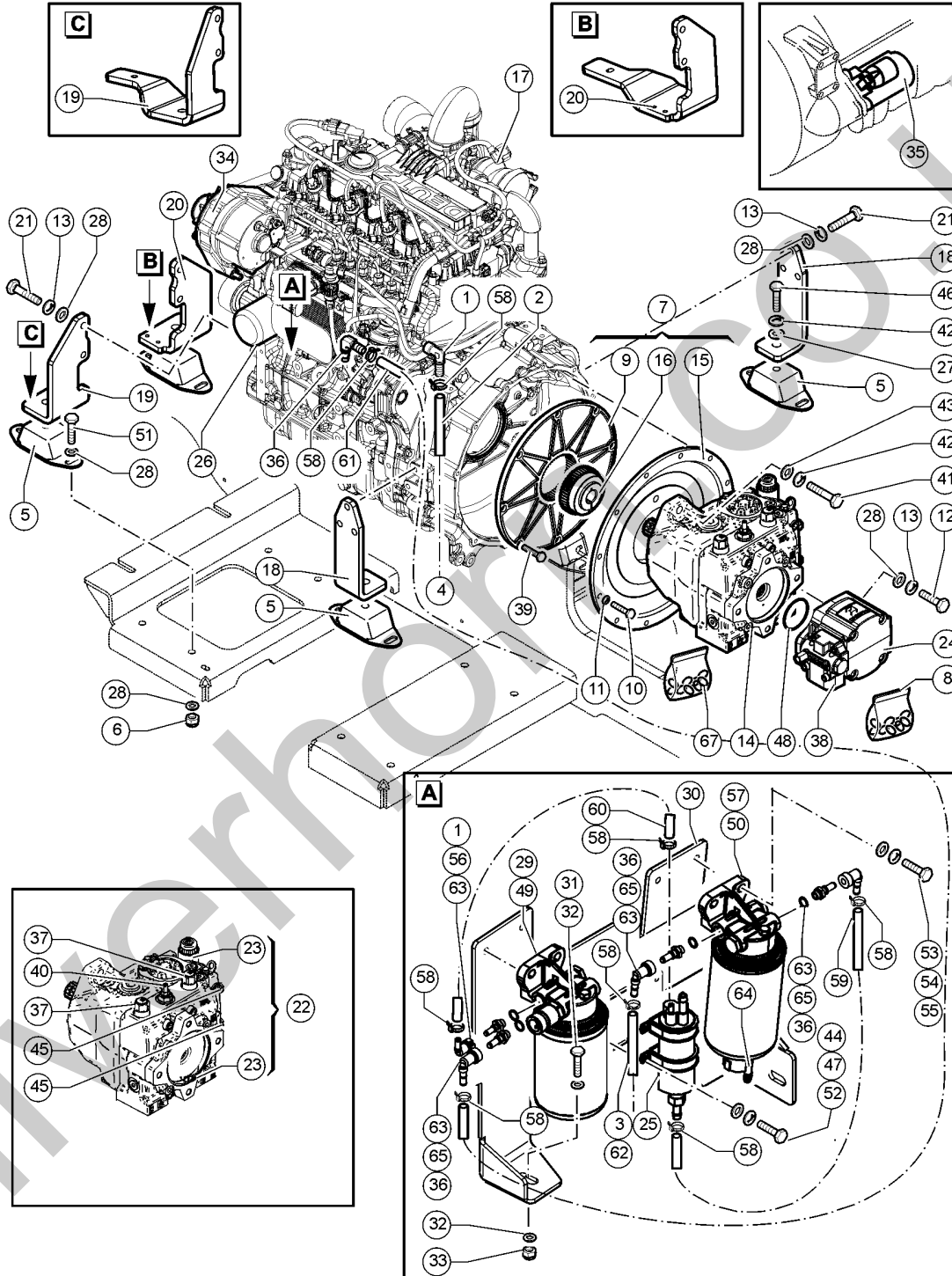


## 303.1 Hydraulic Pumps (to SN GTH55M-15671, Excluded GTH55M-15503, 15549, 15659)

Item	Part No.	Description	Qty.
53	01.0001.0254GT	SCREW M8X20 UNI 5739 8.8 ZN .....	4
54	01.4032.0003GT	Spring Washer D 8 ZN .....	4
55	01.0031.0055GT	FLAT WASHER D8 UNI 6592 ZN .....	4
56	1297494GT	FITTING, DEUTZ SAE-J-2044, D10mm .....	1
57	07.4501.0303GT	Complete Fuel Pre-Filter .....	1
58	04.0227.0051GT	CLAMP DN 10/16 LG 9 .....	8
59	T09.0805.0070GT	FLEXIBLE HOSE,D12X18(1EACH-1Inch) .....	0, 47
60	09.0805.0171GT	HOSE .....	13, 78
61	09.0805.0070GT	FLEXIBLE HOSE,D12X18(1EACH-1Inch) .....	27
62	T09.0805.0070GT	FLEXIBLE HOSE,D12X18(1EACH-1Inch) .....	3,3
63	1297495GT	WASHER, SHIM, 16.2X22X1.5, AL .....	4
64	07.4501.0291GT	SENSOR .....	1
65	1297493GT	FITTING, DEUTZ SAE-J-2044, D12mm .....	3
67	1300189GT	SEAL KIT .....	1

303.2 Hydraulic Pumps Transmission Type D (from SN GTH55M-15672)

NOTE:(SEE SERIAL LABEL FOR TRANSMISSION TYPE)

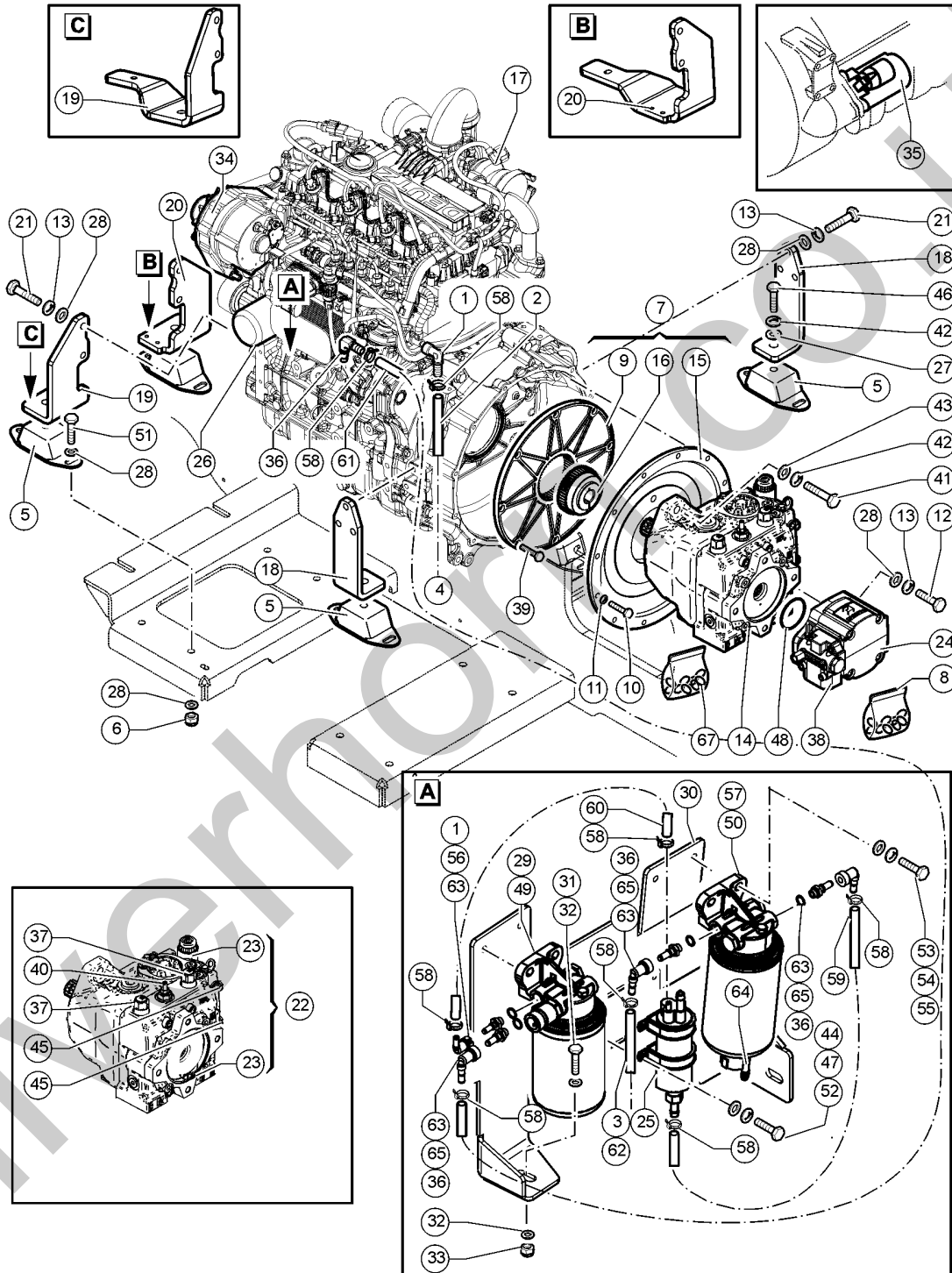


## 303.2 Hydraulic Pumps Transmission Type D (from SN GTH55M-15672)

Item	Part No.	Description	Qty.
1	826000GT	CONNECTOR, SAE10, QUICK CONNECT .....	2
2	09.0805.0171GT	HOSE .....	138
3		Ref. Rear Chassis .....	
		(Ref. 201.1)	
4		Ref. Rear Chassis .....	
		(Ref. 201.1)	
5	09.4670.0027GT	Insulator .....	4
		To SN GTH55M-12119	
5	1303110GT	INSULATOR, ENGINE MOUNT .....	4
		From SN GTH55M-12120	
6	01.0023.0056GT	STOP NUT M12 UNI 7473 6S ZN .....	16
7	09.0804.3462GT	PUMP MOUNTING FLANGE SAE4.4S .....	1
8	07.4529.0209GT	SEAL KIT .....	1
		Kit For 04.4238.0059	
9	07.0713.0061GT	FLANGE .....	1
10	01.0001.0355GT	SCREW M10X25 UNI 5739 8.8 ZN .....	10
11	01.4032.0004GT	WASHER, LOCK, M10, DIN127 .....	12
12	01.0001.0506GT	SCREW M12X30 UNI 5739 8.8 ZN .....	2
13	01.4032.0005GT	SPRING WASHER D12 ZN .....	12
14	04.4238.0112GT	TRACTION PUMP H1P045 .....	1
15	07.0713.0075GT	PUMP MOUNTING FLANGE .....	1
16	07.0713.0076GT	HUB .....	1
17	09.4601.0072GT	ENGINE, DEUTZ .....	1
		Stage IIIB Version	
17	09.4601.0082GT	DIESEL ENGINE .....	1
		Stage IIIA Version	
18	51.0811.4413GT	SUPPORT, ENGINE, FWHL .....	1
19	51.0811.4841GT	ENGINE SUPPORT .....	1
		To SN GTH55M-12119	
19	1297701GT	SUPPORT, ENGINE AND RADIATOR ON MOUNT .....	1
		From SN GTH55M-12120	
20	51.0811.4414GT	SUPPORT, ENGINE, FRONT L .....	1
		To SN GTH55M-12119	
20	1297702GT	SUPPORT, ENGINE AND RADIATOR ON MOUNT .....	1
		From SN GTH55M-12120	
21	01.0001.0508GT	SCREW, M12X40, UNI 5739, 8.8 ZN .....	10
22	1300188GT	EDC KIT, 12 VOLT .....	1
23	07.0706.0050GT	VALVE .....	2
24	04.4238.0059GT	HYDRAULIC PUMP 2 .....	1

303.2 Hydraulic Pumps Transmission Type D (from SN GTH55M-15672)

NOTE:(SEE SERIAL LABEL FOR TRANSMISSION TYPE)



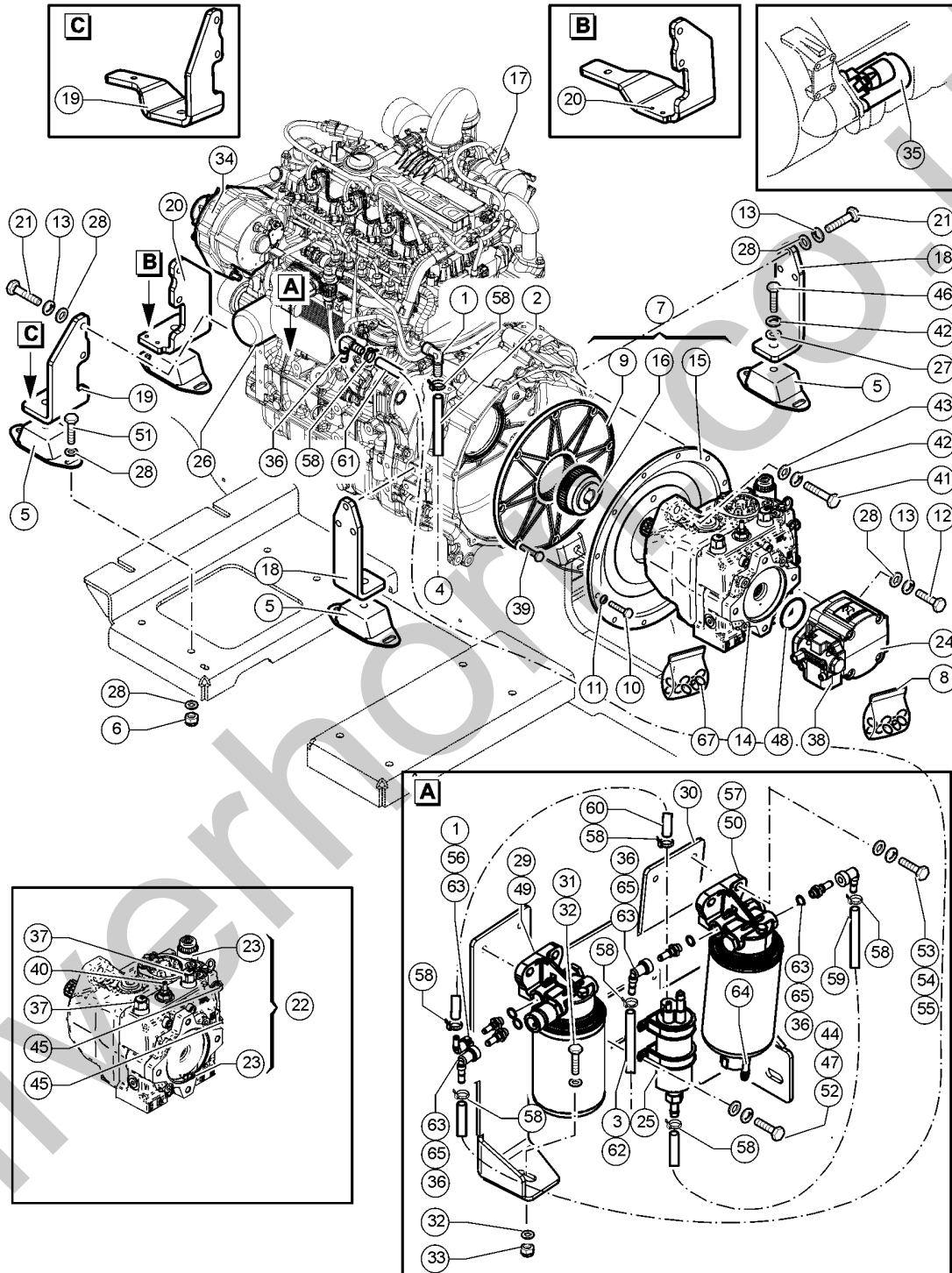


## 303.2 Hydraulic Pumps Transmission Type D (from SN GTH55M-15672)

Item	Part No.	Description	Qty.
25	236259GT	LIFT PUMP,FUEL,DEUTZ TCD3.6	1
26	07.4501.0067GT	FILTER,OIL For US Market Can Be Sold P.N. 49924	1
27	01.0031.0059GT	FLAT WASHER D16 UNI 6592 ZN	4
28	01.0031.0057GT	WASHER, FLAT, D12, UNI 6592, ZN	12
29	214228GT	FILTER, FUEL SPIN-ON, DEUTZ	1
30	51.0811.4722GT	FILTER SUPPORT	1
31	01.0001.0258GT	SCREW M8X35 UNI 5739 8.8 ZN	3
32	01.0031.0299GT	FLAT WASHER D8 UNI 6593 ZN	6
33	01.0023.0054GT	NUT,M8 UNI 7473 6S ZN	3
34	07.0501.0051GT	ALTERNATOR	1
35	1254594GT	STARTER,3.2KW,DEUTZ D2.9	1
36	1293433GT	CONNECTOR, SAE12, QUICK CONNECT	4
37	1300186GT	HIGH PRESSURE RELIEF VALVE	2
38	07.0722.0053GT	VALVE,LOAD SENSE	1
39	01.0003.0255GT	SCREW M10X25 UNI 5931 8.8 ZN	8
40	07.0706.0054GT	MAX, PRESSURE VALVE	1
41	01.0001.0606GT	SCREW M14X40 UNI 5739 8.8 ZN	2
42	01.4032.0006GT	SPRING WASHER D14 ZN	2
43	01.0031.0058GT	FLAT WASHER D14 UNI 6592 ZN	2
44	01.4001.0045GT	Screw TE M 5X10 UNI 5739 8.8 ZN	4
45	07.0706.0053GT	Valve	2
46	01.0001.1557GT	SCREW, HHC, M16 x 50 LG.8.8 ZN UNI 5739 , DIN 933	4
47	01.4032.0001GT	WASHER,SPRING,D5 ZN	4
48	07.0701.0211GT	O-RING,R909154589 REXROTH	1
49	07.4501.0304GT	FUEL FILTER	1
50	07.4501.0285GT	FUEL PRE-FILTER For US Market Can Be Sold P.N. 236260	1
51	01.0001.0508GT	SCREW, M12X40, UNI 5739, 8.8 ZN	16
52	01.0031.0053GT	FLAT WASHER D5 UNI 6592 ZN	4

303.2 Hydraulic Pumps Transmission Type D (from SN GTH55M-15672)

NOTE:(SEE SERIAL LABEL FOR TRANSMISSION TYPE)

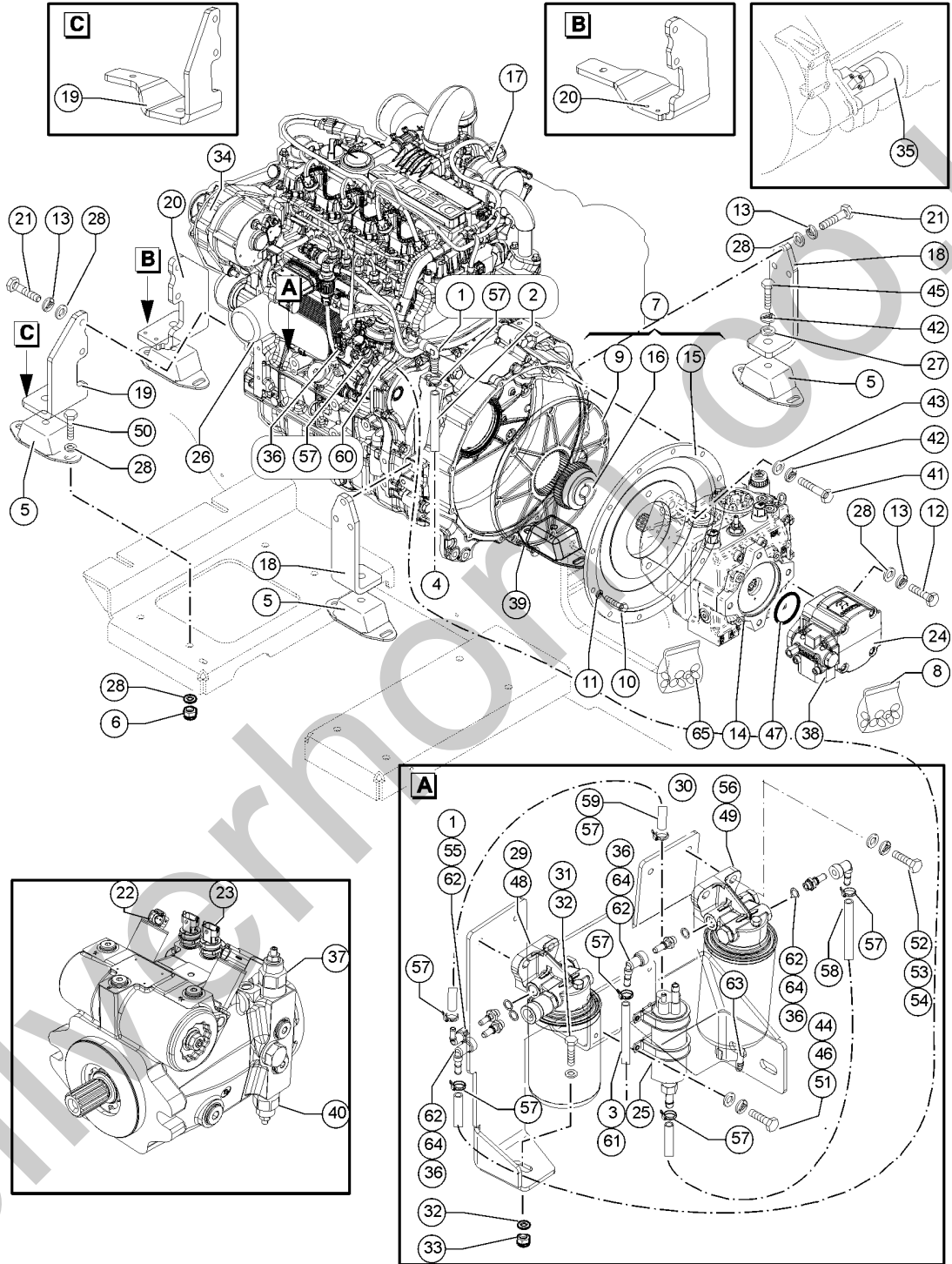


## 303.2 Hydraulic Pumps Transmission Type D (from SN GTH55M-15672)

Item	Part No.	Description	Qty.
53	01.0001.0254GT	SCREW M8X20 UNI 5739 8.8 ZN .....	4
54	01.4032.0003GT	Spring Washer D 8 ZN .....	4
55	01.0031.0055GT	FLAT WASHER D8 UNI 6592 ZN .....	4
56	1297494GT	FITTING, DEUTZ SAE-J-2044, D10mm .....	1
57	07.4501.0303GT	Complete Fuel Pre-Filter .....	1
58	04.0227.0051GT	CLAMP DN 10/16 LG 9 .....	8
59	T09.0805.0070GT	FLEXIBLE HOSE,D12X18(1EACH-1Inch) .....	0, 47
60	09.0805.0171GT	HOSE .....	13, 78
61	09.0805.0070GT	FLEXIBLE HOSE,D12X18(1EACH-1Inch) .....	27
62	T09.0805.0070GT	FLEXIBLE HOSE,D12X18(1EACH-1Inch) .....	3,3
63	1297495GT	WASHER, SHIM, 16.2X22X1.5, AL .....	4
64	07.4501.0291GT	SENSOR .....	1
65	1297493GT	FITTING, DEUTZ SAE-J-2044, D12mm .....	3
67	1300189GT	SEAL KIT .....	1

303.3 Hydraulic Pumps Transmission Type B (from SN GTH55M-15672, Included GTH55M-15503, 15549, 15659)

NOTE:(SEE SERIAL LABEL FOR TRANSMISSION TYPE)

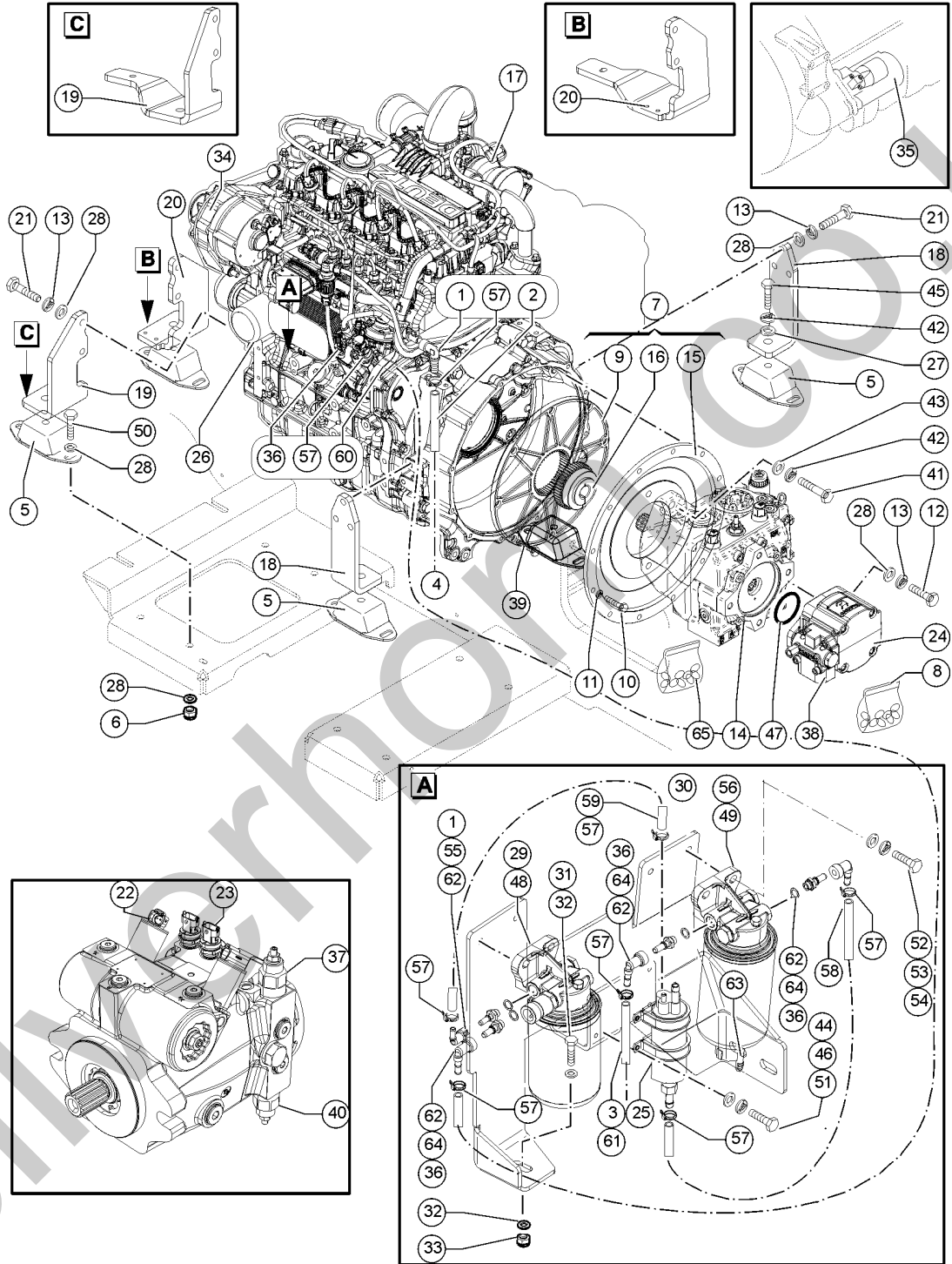


## 303.3 Hydraulic Pumps Transmission Type B (from SN GTH55M-15672, Included GTH55M-15503, 15549, 15659)

Item	Part No.	Description	Qty.
1	826000GT	CONNECTOR, SAE10, QUICK CONNECT .....	2
2	09.0805.0171GT	HOSE .....	138
3		Ref. Rear Chassis .....	
		(Ref. 201.1)	
4		Ref. Rear Chassis .....	
		(Ref. 201.1)	
5	1303110GT	INSULATOR, ENGINE MOUNT .....	4
		From SN GTH55M-12120	
5	09.4670.0027GT	Insulator .....	4
		To SN GTH55M-12119	
6	01.0023.0056GT	STOP NUT M12 UNI 7473 6S ZN .....	16
7	1318392GT	INTERFACE KIT, DEUTZ-BOSCH .....	1
8	07.4529.0209GT	SEAL KIT .....	1
		Kit For 04.4238.0059	
9	07.0713.0061GT	FLANGE .....	1
10	01.0001.0355GT	SCREW M10X25 UNI 5739 8.8 ZN .....	10
11	01.4032.0004GT	WASHER, LOCK, M10, DIN127 .....	12
12	01.0001.0506GT	SCREW M12X30 UNI 5739 8.8 ZN .....	2
13	01.4032.0005GT	SPRING WASHER D12 ZN .....	12
14	1318955GT	PUMP, DRIVE, HYDRAULIC, SX .....	1
15	07.0713.0063GT	BELL .....	1
16	07.0713.0076GT	HUB .....	1
17	09.4601.0072GT	ENGINE, DEUTZ .....	1
		Stage IIIB Version	
17	09.4601.0082GT	DIESEL ENGINE .....	1
		Stage IIIA Version	
18	51.0811.4413GT	SUPPORT, ENGINE, FWHL .....	1
19	51.0811.4841GT	ENGINE SUPPORT .....	1
		To SN GTH55M-12119	
19	1297701GT	SUPPORT, ENGINE AND RADIATOR ON MOUNT .....	1
		From SN GTH55M-12120	
20	1297702GT	SUPPORT, ENGINE AND RADIATOR ON MOUNT .....	1
		From SN GTH55M-12120	
20	51.0811.4414GT	SUPPORT, ENGINE, FRONT L .....	1
		To SN GTH55M-12119	
21	01.0001.0508GT	SCREW, M12X40, UNI 5739, 8.8 ZN .....	10
22	1318423GT	PRESSURE REDUCING VALVE .....	2
23	1318426GT	PRESSURE SENSOR .....	2
24	04.4238.0059GT	HYDRAULIC PUMP 2 .....	1

303.3 Hydraulic Pumps Transmission Type B (from SN GTH55M-15672, Included GTH55M-15503, 15549, 15659)

NOTE:(SEE SERIAL LABEL FOR TRANSMISSION TYPE)

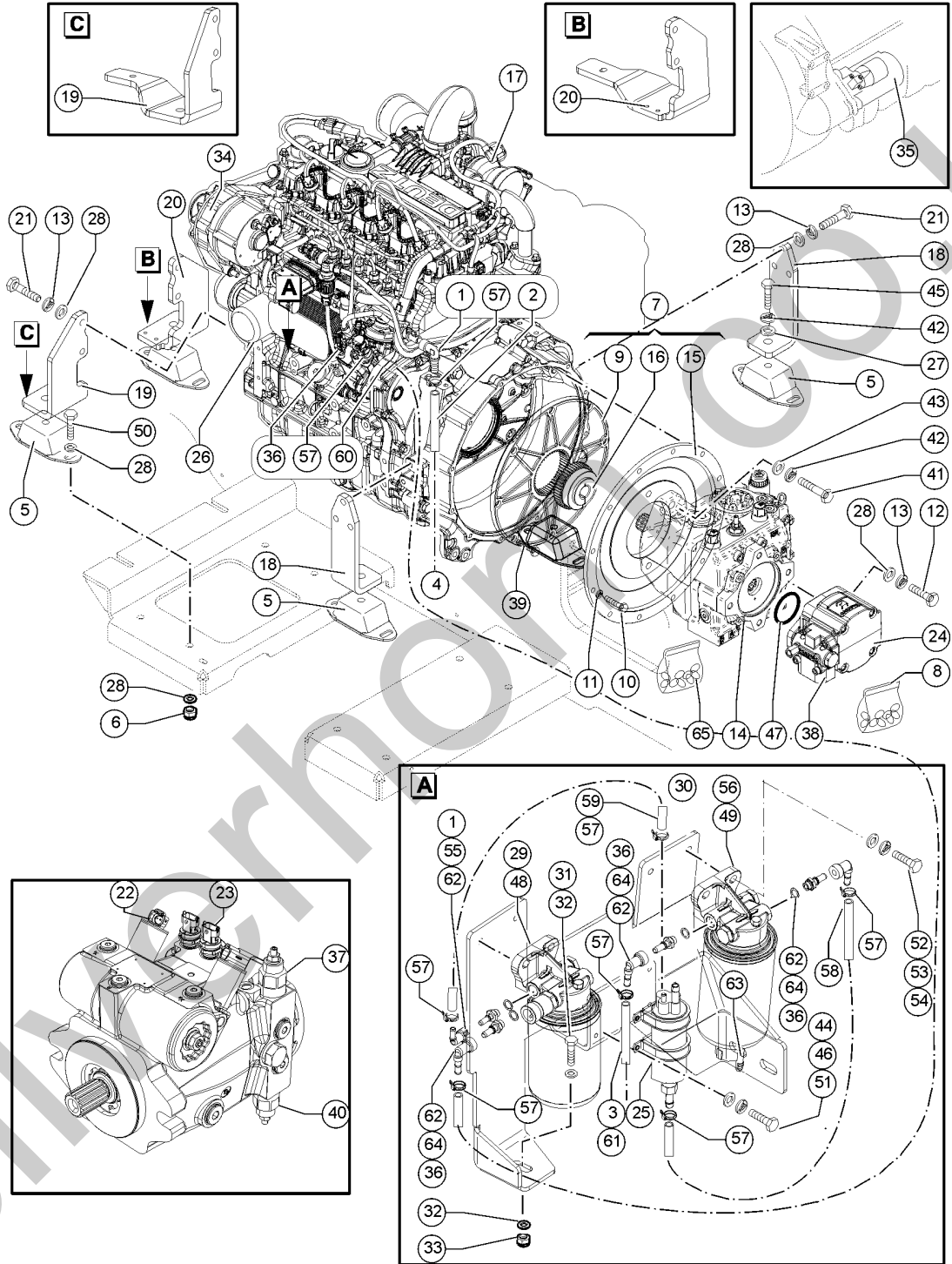


## 303.3 Hydraulic Pumps Transmission Type B (from SN GTH55M-15672, Included GTH55M-15503, 15549, 15659)

Item	Part No.	Description	Qty.
25	236259GT	LIFT PUMP,FUEL,DEUTZ TCD3.6	1
26	07.4501.0067GT	FILTER,OIL For US Market Can Be Sold P.N. 49924	1
27	01.0031.0059GT	FLAT WASHER D16 UNI 6592 ZN	4
28	01.0031.0057GT	WASHER, FLAT, D12, UNI 6592, ZN	12
29	214228GT	FILTER, FUEL SPIN-ON, DEUTZ	1
30	51.0811.4722GT	FILTER SUPPORT	1
31	01.0001.0258GT	SCREW M8X35 UNI 5739 8.8 ZN	3
32	01.0031.0299GT	FLAT WASHER D8 UNI 6593 ZN	6
33	01.0023.0054GT	NUT,M8 UNI 7473 6S ZN	3
34	07.0501.0051GT	ALTERNATOR	1
35	1254594GT	STARTER,3.2KW,DEUTZ D2.9	1
36	1293433GT	CONNECTOR, SAE12, QUICK CONNECT	4
37	1318424GT	PRESSURE RELIEF VALVE	2
38	07.0722.0053GT	VALVE,LOAD SENSE	1
39	01.0003.0255GT	SCREW M10X25 UNI 5931 8.8 ZN	8
40	1318425GT	PRESSURE RELIEF VALVE	1
41	01.0001.0606GT	SCREW M14X40 UNI 5739 8.8 ZN	2
42	01.4032.0006GT	SPRING WASHER D14 ZN	2
43	01.0031.0058GT	FLAT WASHER D14 UNI 6592 ZN	2
44	01.4001.0045GT	Screw TE M 5X10 UNI 5739 8.8 ZN	4
45	01.0001.1557GT	SCREW, HHC, M16 x 50 LG.8.8 ZN UNI 5739 , DIN 933	4
46	01.4032.0001GT	WASHER,SPRING,D5 ZN	4
47	07.0701.0211GT	O-RING,R909154589 REXROTH	1
48	07.4501.0304GT	FUEL FILTER	1
49	07.4501.0285GT	FUEL PRE-FILTER For US Market Can Be Sold P.N. 236260	1
50	01.0001.0508GT	SCREW, M12X40, UNI 5739, 8.8 ZN	16
51	01.0031.0053GT	FLAT WASHER D5 UNI 6592 ZN	4
52	01.0001.0254GT	SCREW M8X20 UNI 5739 8.8 ZN	4

303.3 Hydraulic Pumps Transmission Type B (from SN GTH55M-15672, Included GTH55M-15503, 15549, 15659)

NOTE:(SEE SERIAL LABEL FOR TRANSMISSION TYPE)

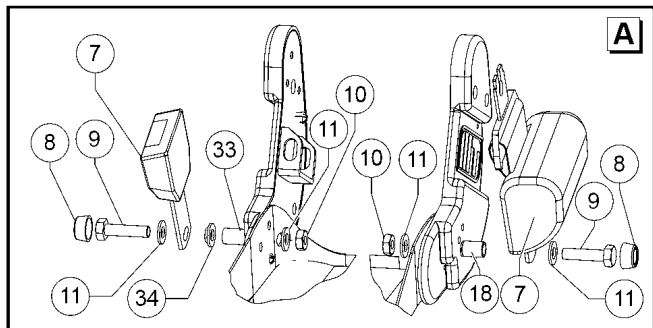
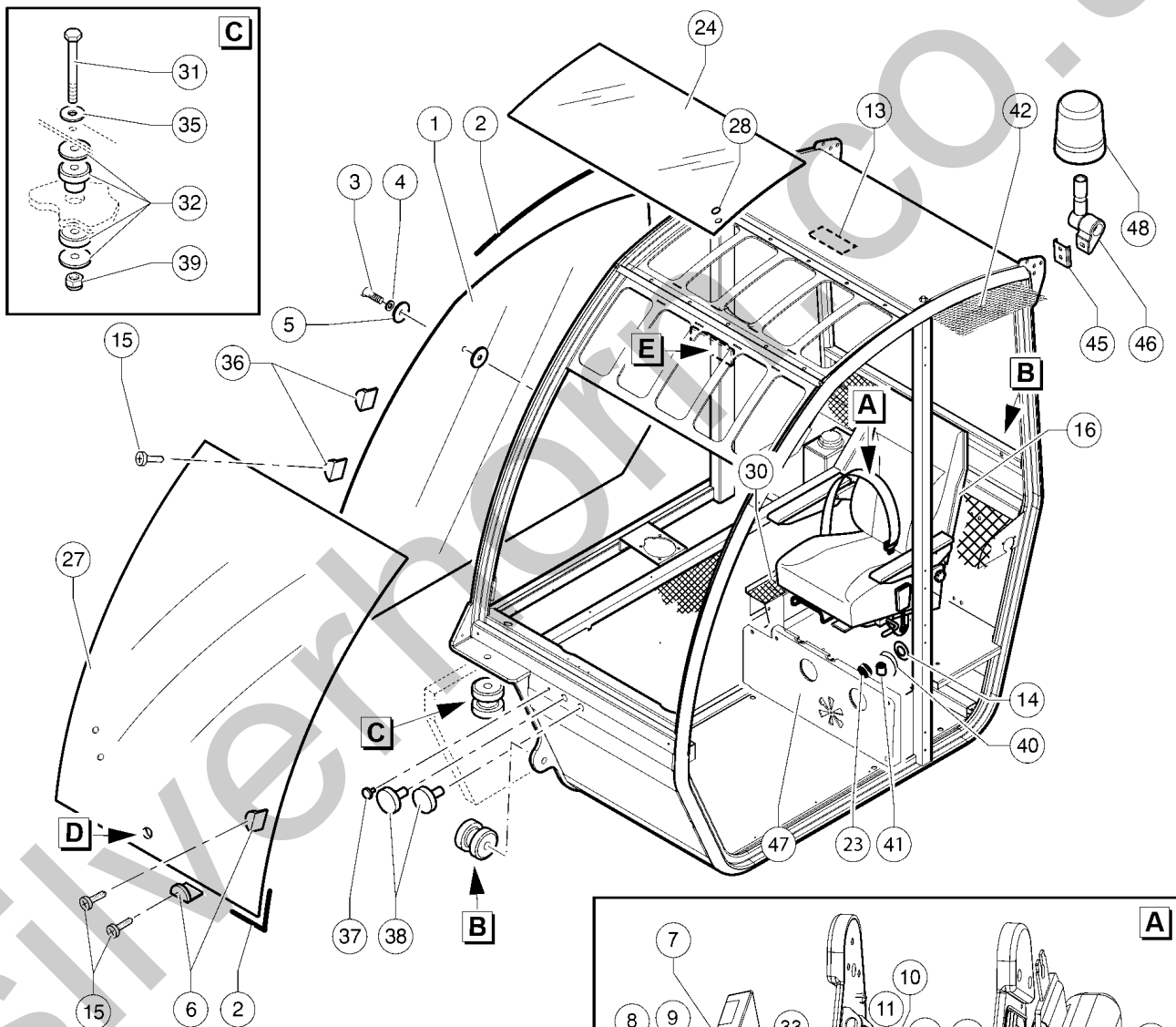
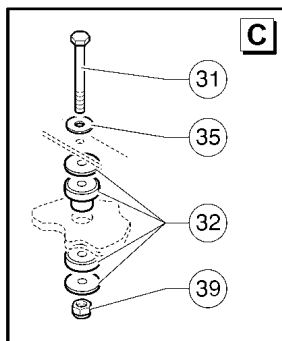
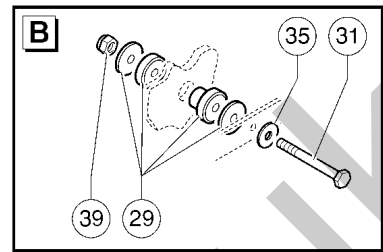
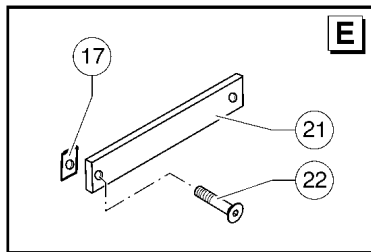
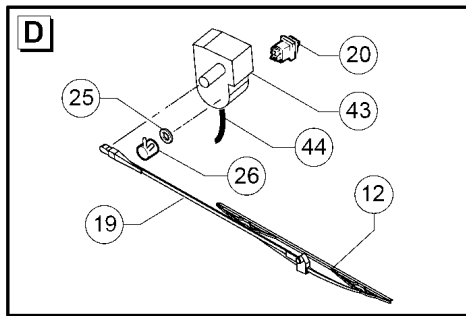




## 303.3 Hydraulic Pumps Transmission Type B (from SN GTH55M-15672, Included GTH55M-15503, 15549, 15659)

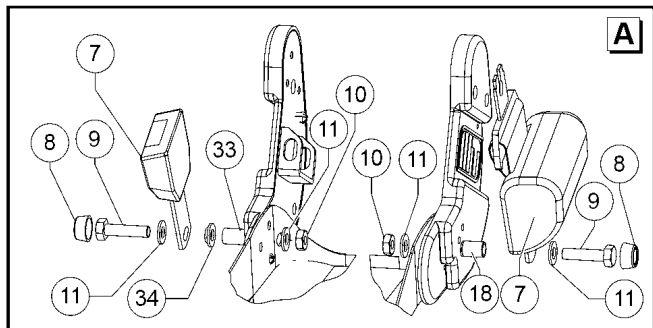
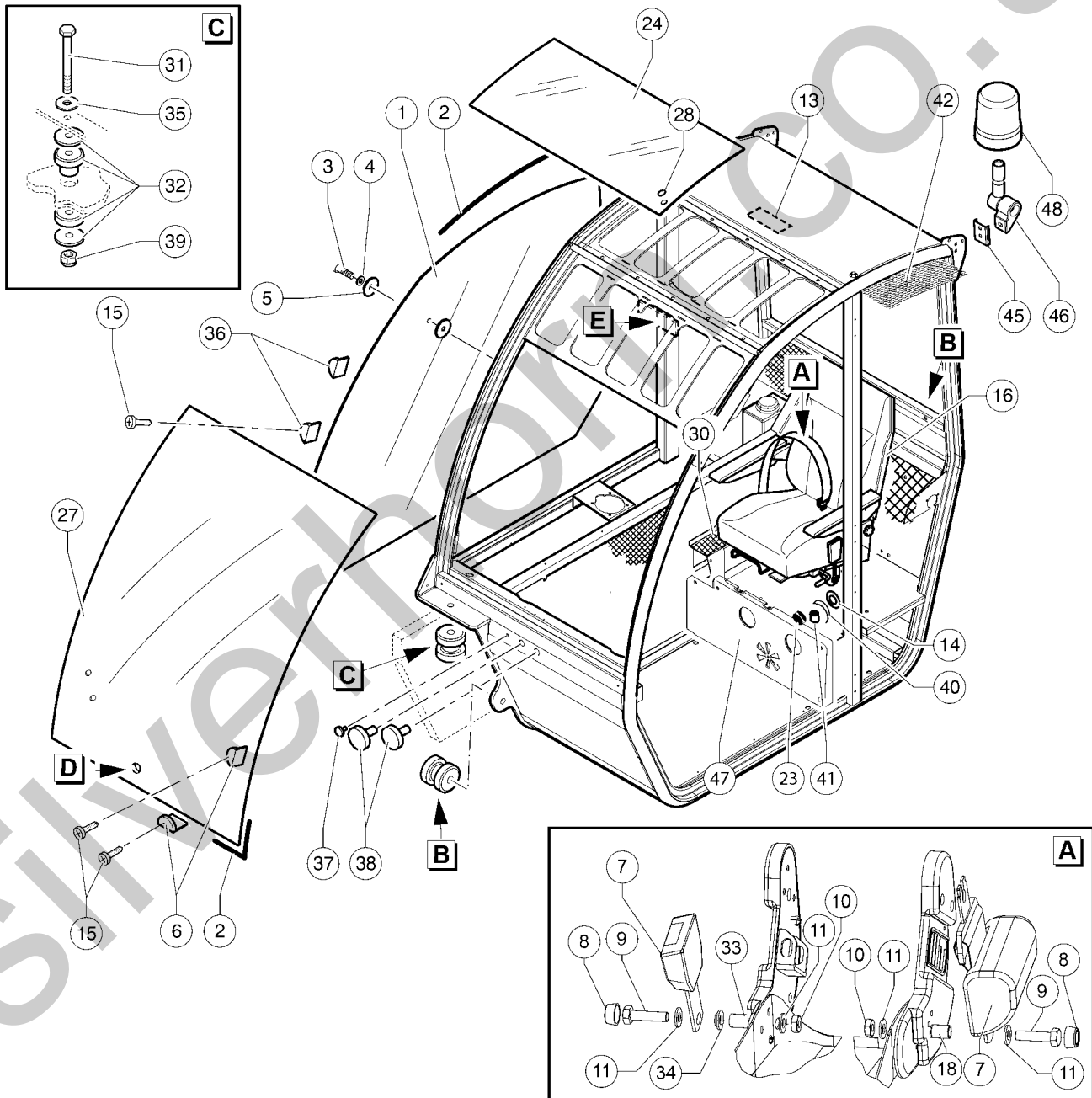
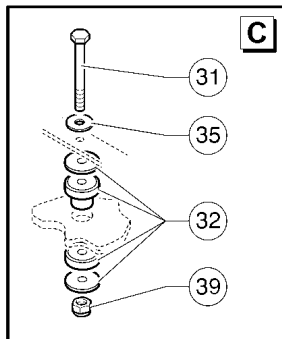
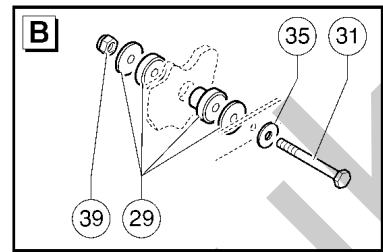
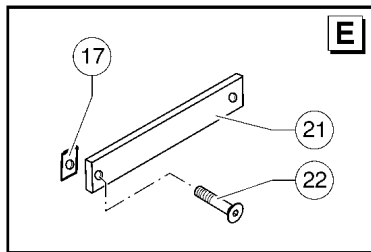
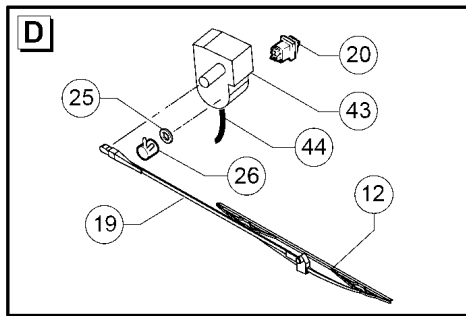
Item	Part No.	Description	Qty.
53	01.4032.0003GT	Spring Washer D 8 ZN .....	4
54	01.0031.0055GT	FLAT WASHER D8 UNI 6592 ZN .....	4
55	1297494GT	FITTING, DEUTZ SAE-J-2044, D10mm .....	1
56	07.4501.0303GT	Complete Fuel Pre-Filter .....	1
57	04.0227.0051GT	CLAMP DN 10/16 LG 9 .....	8
58	T09.0805.0070GT	FLEXIBLE HOSE,D12X18(1EACH-1Inch) .....	0, 47
59	09.0805.0171GT	HOSE .....	13, 78
60	09.0805.0070GT	FLEXIBLE HOSE,D12X18(1EACH-1Inch) .....	27
61	T09.0805.0070GT	FLEXIBLE HOSE,D12X18(1EACH-1Inch) .....	3,3
62	1297495GT	WASHER, SHIM, 16.2X22X1.5, AL .....	4
63	07.4501.0291GT	SENSOR .....	1
64	1297493GT	FITTING, DEUTZ SAE-J-2044, D12mm .....	3
65	1318422GT	PUMP SEAL KIT .....	1

401.1 Closed Cab, View 1



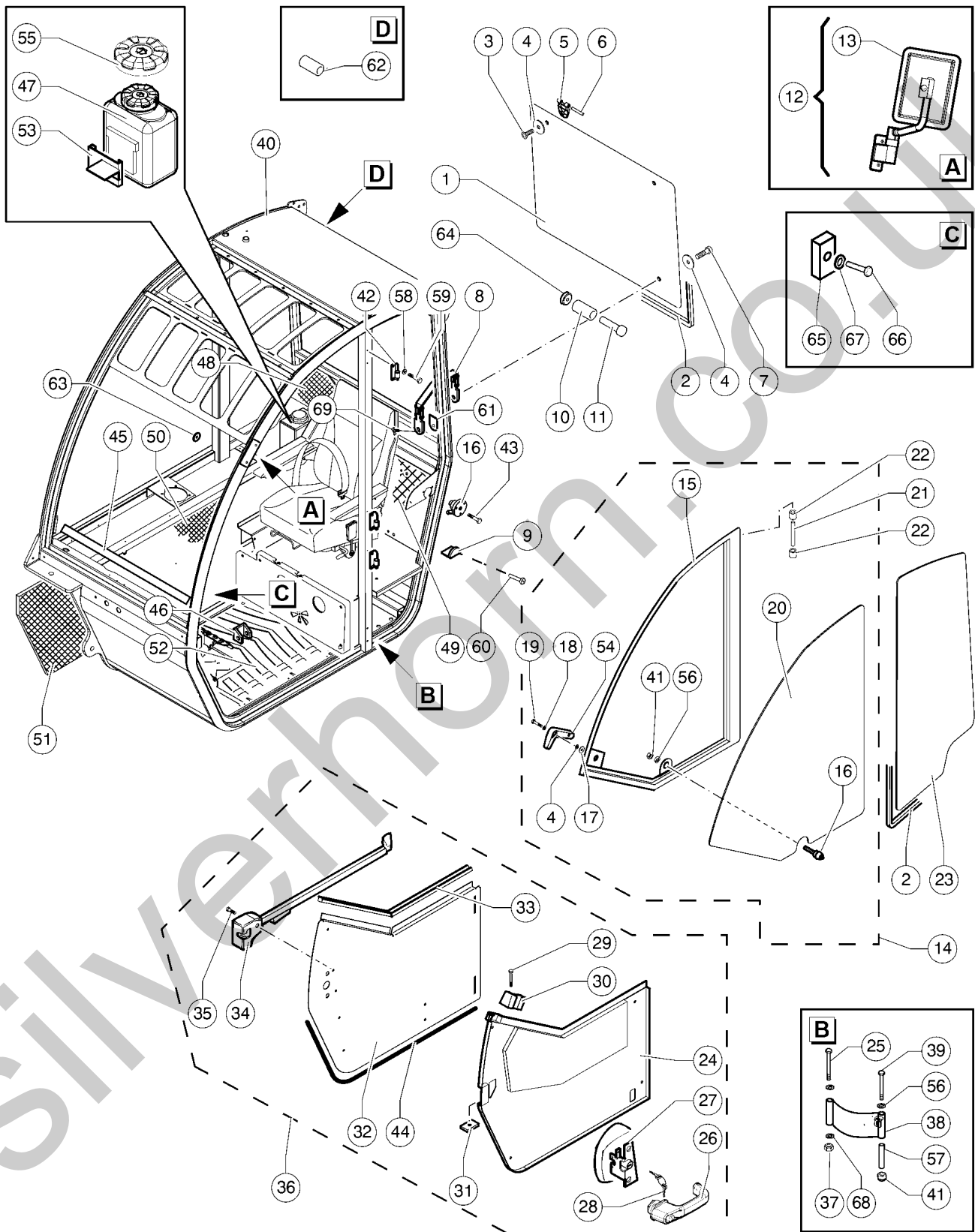
Item	Part No.	Description	Qty.
1	07.0723.0165GT	RIGHT SIDE GLASS .....	1
2	07.0723.0433GT	GASKET .....	311
3	07.0723.0169GT	Screw TSPEI M8x40 .....	2
4	07.0723.0114GT	Nylon Washer .....	2
5	07.0723.0223GT	Rubber .....	2
6	07.0723.0720GT	GLASS STOP .....	2
7	09.4610.0043GT	Safety Belt 3" Kit .....	1
8	09.0803.0568GT	Cap .....	2
9	01.0002.0000GT	SCREW M10X1,25X45 UNI 5738 8.8 ZN .....	2
10	01.0019.0105GT	NUT M10 UNI 5588 6S ZN .....	2
11	01.0031.0056GT	FLAT WASHER D10 UNI 6592 ZN .....	2
12	07.0723.0037GT	WIPER BLADE .....	1
13	07.0723.0491GT	Light .....	1
14	07.0723.0696GT	PAINTED WATER VALVE FRAME .....	1
15	07.0723.0627GT	Screw .....	7
16	09.4610.0056GT	Seat Assembly W/ Shock Absorber .....	1
16-	07.0703.0508GT	SEAT, CUSHION BACK .....	1
16-	07.0703.0509GT	SEAT, BOTTOM CUSHION .....	1
17	07.0723.0104GT	RETAINER .....	2
18	09.4610.0045GT	Spacer .....	1
19	07.0723.0450GT	Windscreen Wiper Arm .....	1
20	07.0723.0229GT	Switch .....	1
21	09.4610.0057GT	BUBBLE LEVEL .....	1
22	01.4001.0061GT	PHILLIPS SCREW M4X20 UNI 7687 .....	2
23	07.0723.0717GT	KNOB .....	1
24	07.0723.0168GT	Upper Glass .....	1
25	07.0723.0516GT	GASKET, RUBBER .....	1
26	07.0706.0061GT	Spray Nozzle .....	1

401.1 Closed Cab, View 1



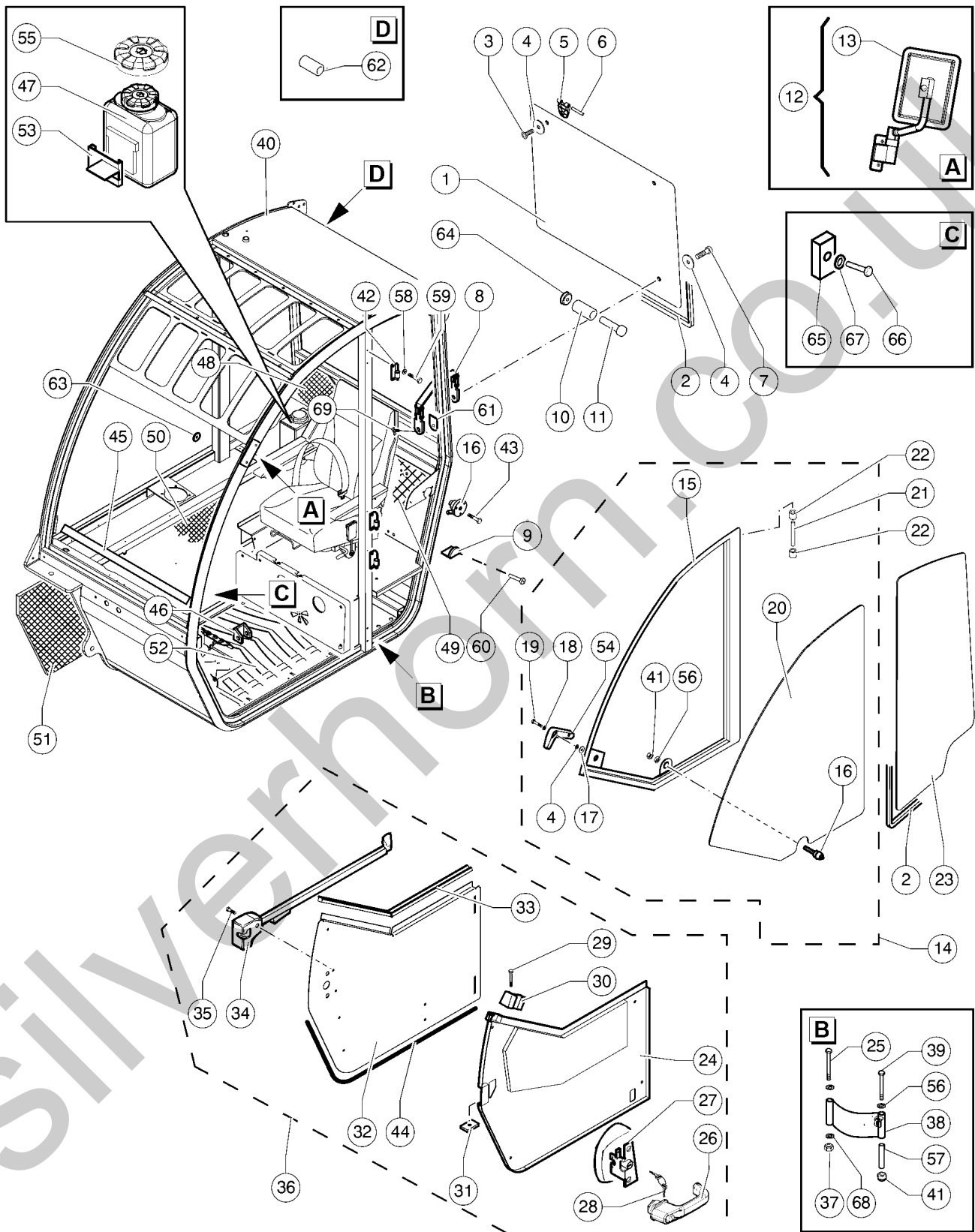
Item	Part No.	Description	Qty.
27	07.0723.0649GT	Windshield Glass .....	1
28	07.0723.0654GT	Cap Seal .....	1
29	09.4670.0030GT	Lower Vibration Damping .....	2
30	07.0723.0454GT	COATING .....	1
31	01.0001.0659GT	Screw TE M16X100 UNI 5737 8.8 ZN .....	4
32	09.4670.0031GT	Upper Vibration Damping .....	2
33	09.0803.0571GT	Shim .....	1
34	09.4610.0044GT	BUSHING D.12,6 .....	1
35	01.4031.0001GT	WASHER,CHMFRD,D16,UNI 6593,ZN .....	4
36	641042GT	GLASS STOP .....	5
37	07.0723.0055GT	RUBBER PLUG D.10 .....	1
38	07.0723.0054GT	RUBBER PLUG D25 .....	2
39	01.0023.0058GT	NUT,STOP,M16 UNI 7473 6S ZN .....	4
40	07.0723.0522GT	Decal .....	1
41	07.0723.0193GT	TAP .....	2
42	07.0723.0498GT	COVER, ROOF .....	1
43	07.0723.0221GT	WIPER MOTOR .....	1
44	07.0723.0226GT	RUBBER HOSE .....	20
45	07.0723.0651GT	Bracket .....	1
46	07.0723.0652GT	Flashing Beacon Support .....	1
46-	07.0723.0712GT	Plug, 2-terminal .....	
47	07.0723.0694GT	Cover .....	1
48	56.0010.0005GT	Flashing Beacon Optional .....	1

402.1 Closed Cab, View 2



Item	Part No.	Description	Qty.
1	07.0723.0760GT	REAR GLASS .....	1
2	07.0723.0433GT	GASKET 110 + 110 .....	220
3	07.0723.0176GT	SCREW,TSPEI M8X25 .....	2
4	07.0723.0114GT	Nylon Washer .....	16
5	07.0723.0155GT	HINGE .....	2
6	07.0723.0161GT	PIN .....	2
7	07.0723.0441GT	SCREW,TCEI M5X50 .....	2
8	07.0723.0434GT	TOGGLE LEVER,COMPLETE .....	2
9	641042GT	GLASS STOP .....	3
10	07.0723.0236GT	STOP PAD .....	2
11	07.0723.0719GT	SCREW,TCB+M5X80 UNI 7687 .....	1
12	07.0723.0024GT	MIRROR W/BRACKET, SINGLE .....	1
13	07.0723.0042GT	Mirror .....	1
14	07.0723.0684GT	UPPER DOOR FRAME WITH GLASS .....	1
15	07.0723.0675GT	UPPER DOOR FRAME .....	1
16	07.0723.0144GT	DOOR STOP KIT .....	1
17	07.0723.0429GT	CRINKLE WASHER,DM.10 .....	1
18	07.0723.0428GT	WASHER,D10X20 .....	2
19	07.0723.0427GT	SCREW,TE,M8X16 .....	2
20	07.0723.0426GT	UPPER DOOR GLASS .....	1
21	07.0723.0410GT	PIN,8X85 .....	4
22	07.0723.0345GT	BUSHING .....	8
23	07.0723.0764GT	LEFT SIDE GLASS .....	1
24	07.0723.0655GT	DOOR COATING .....	1
25	01.0003.0941GT	SCREW .....	1
26	09.0803.0871GT	HANDLE .....	1
27	07.0723.0459GT	Handle Lock .....	1
28	09.0803.0685GT	KEY .....	1

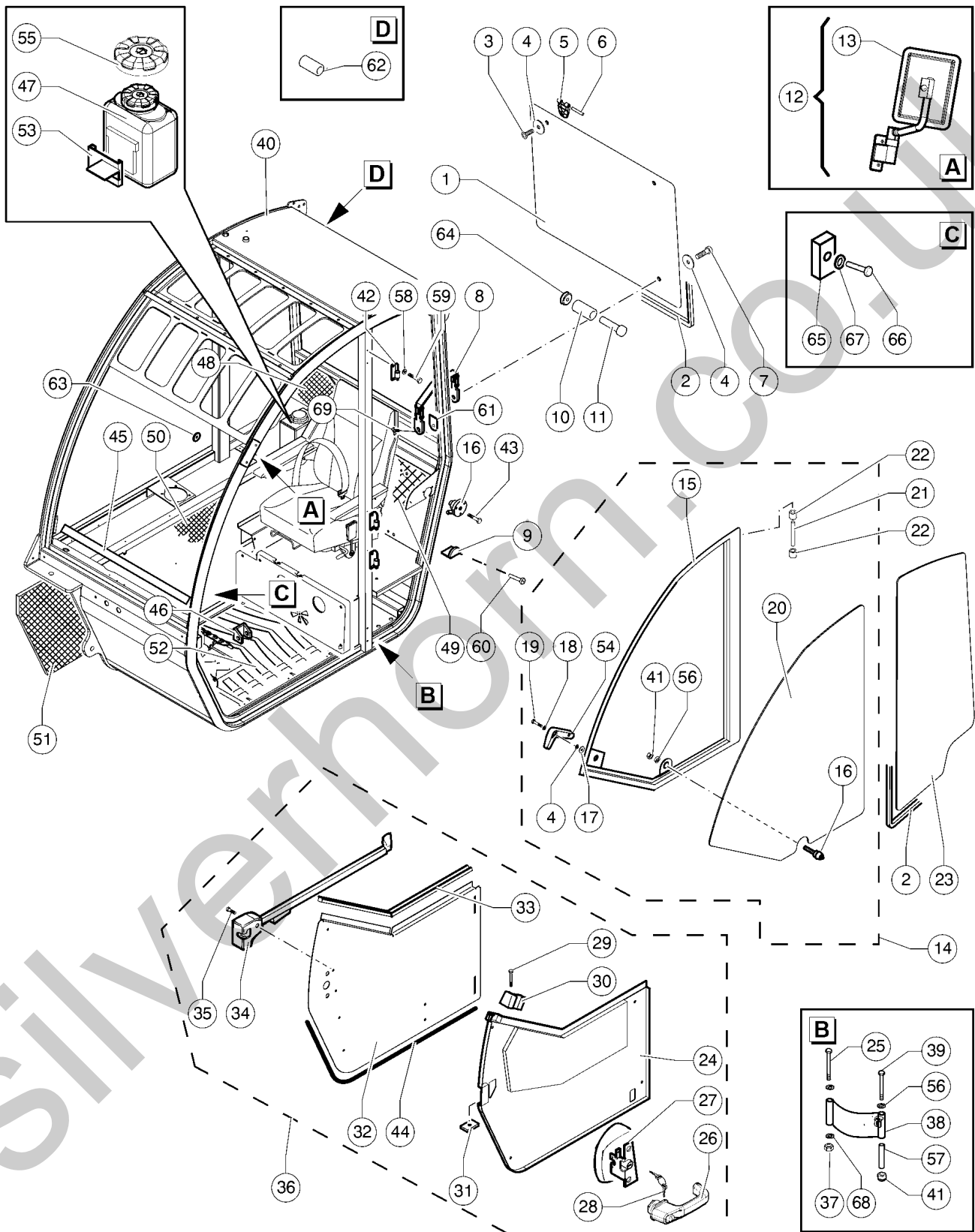
402.1 Closed Cab, View 2





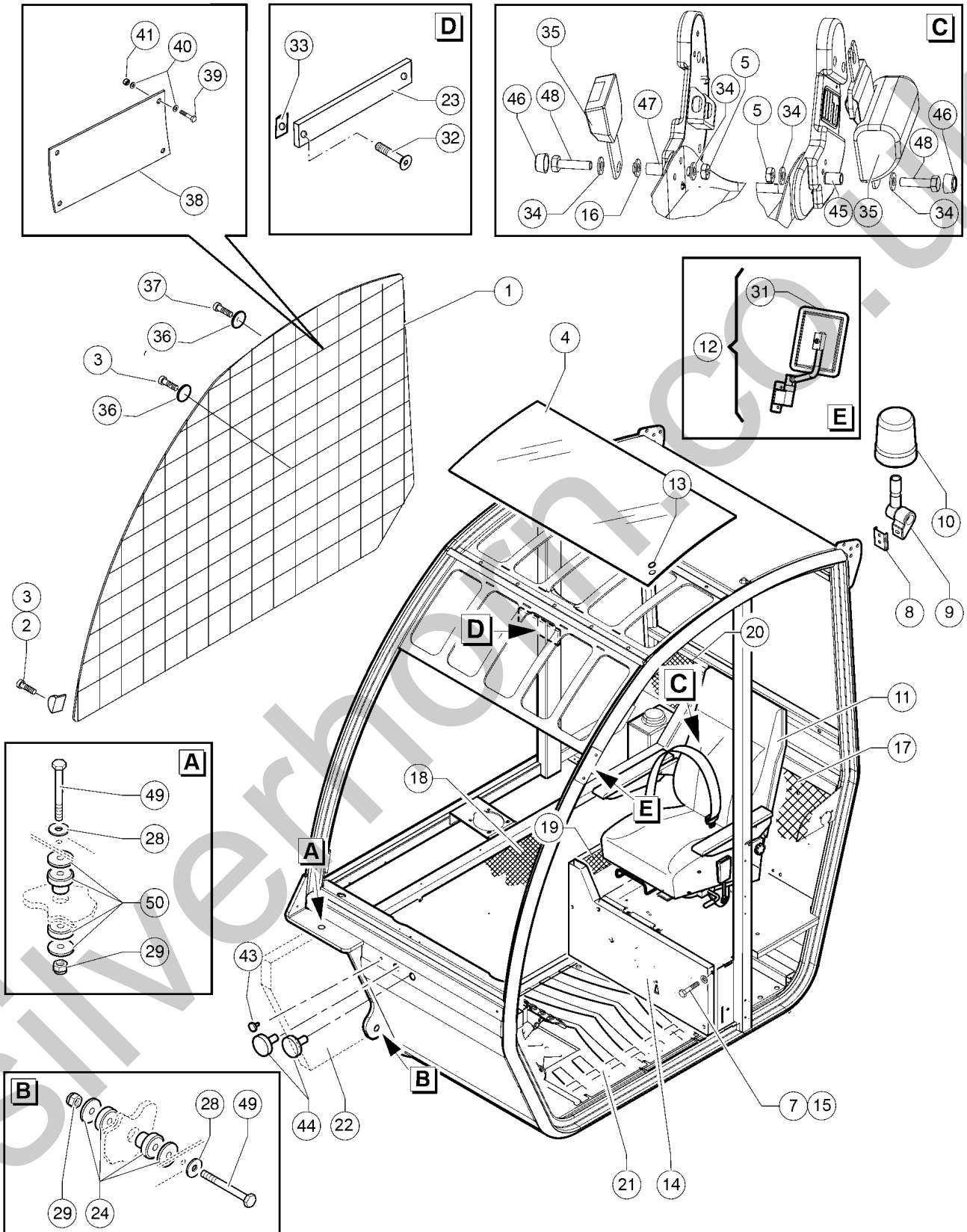
Item	Part No.	Description	Qty.
29	07.0723.0421GT	SCREW,TCB+M6X35 .....	4
30	641024GT	STOP .....	2
31	07.0723.0172GT	Plate .....	1
32	07.0723.0674GT	LOWER DOOR FRAME .....	1
33	07.0723.0290GT	Seal .....	1
34	07.0723.0157GT	HANDLE, INTERNAL DOOR .....	1
35	07.0723.0057GT	SCREW,M6-1.0X20MM FHSCS ZP .....	3
36	07.0723.0683GT	PREASSEMBLED LOWER DOOR FRAME .....	1
37	07.0723.0181GT	Nut M8 UNI 7473 .....	1
38	07.0723.0646GT	BELT, DOOR ASSY .....	1
39	07.0723.0728GT	SCREW HHC M6 X 60 .....	1
40	53.4000.0050GT	CAB ASSY .....	1
41	07.0723.0725GT	NUT .....	4
42	07.0723.0672GT	HINGE .....	4
43	07.0723.0185GT	SCREW, M6X30DIN933 YZ HCS .....	3
44	07.0723.0152GT	SEAL .....	1
45	07.0723.0638GT	Profile .....	1
46	640995GT	CLIP .....	1
47	641004GT	TANK, WIPER W/ PUMP Tank and white cap cannot be sold separately .....	1
48	07.0723.0452GT	Cover .....	1
49	07.0723.0451GT	Cover .....	1
50	07.0723.0453GT	Cover .....	1
51	07.0723.0456GT	External Sound Proofing Panel .....	1
52	07.0723.0630GT	RUBBER CARPET .....	1
53	07.0723.0722GT	TANK SUPPORT .....	1
54	641019GT	HANDLE .....	1
55	52.1200.5300GT	Water Tank Cover (Black Cap) .....	1
56	07.0723.0173GT	Washer D6X12MM .....	4

402.1 Closed Cab, View 2



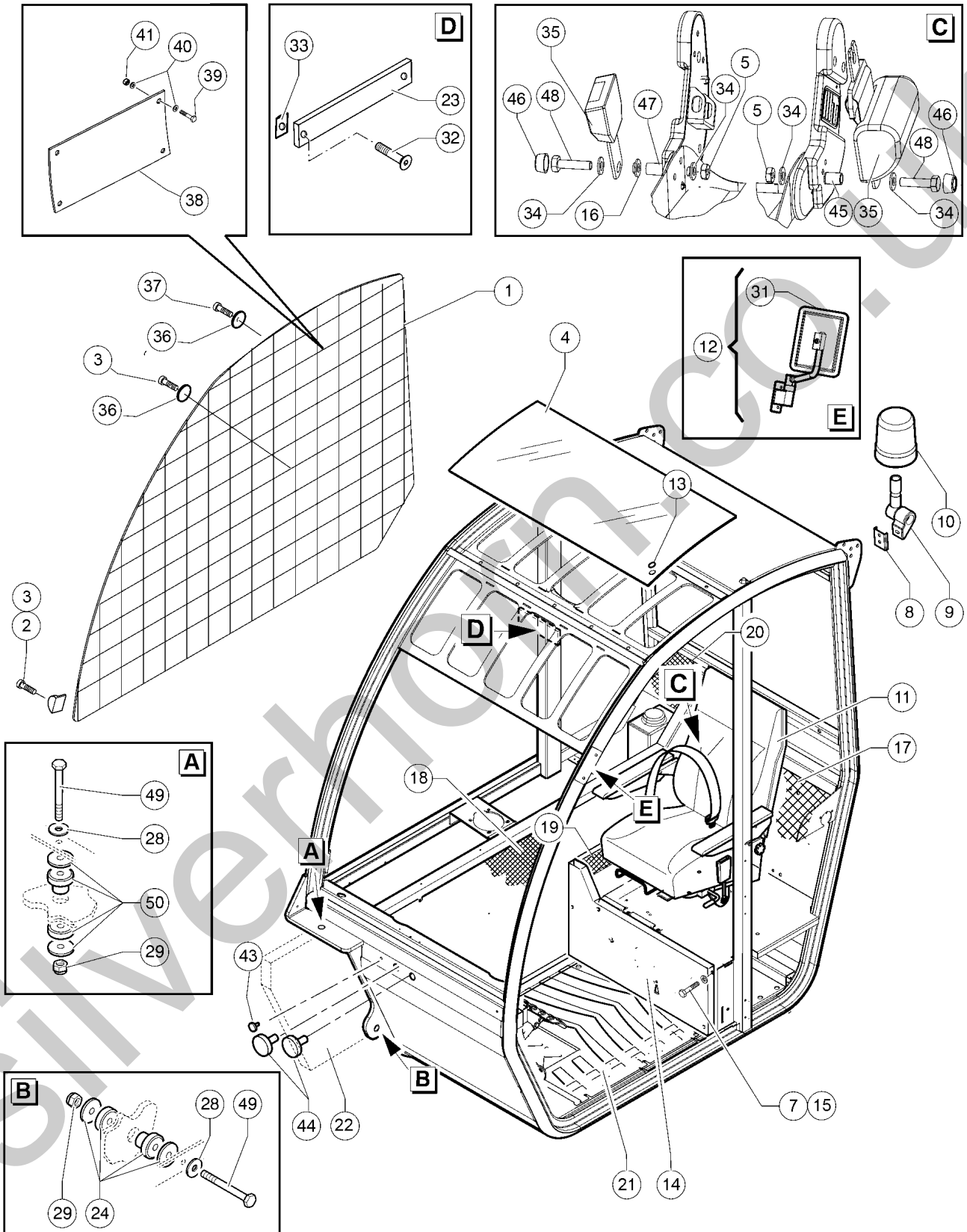
Item	Part No.	Description	Qty.
57	07.0723.0647GT	Bushing .....	1
58	07.0723.0202GT	Washer .....	8
59	07.0723.0727GT	SCREW HHC M6 X 16 .....	8
60	07.0723.0627GT	Screw .....	3
61	07.0723.0506GT	Receptacles .....	2
62	07.0723.0505GT	NYLON BUSH D12X8.2 X H12.1 .....	4
63	07.0723.0059GT	Rubber Cap D37xH12xD8 .....	2
64	07.0723.0730GT	RUBBER SHIM .....	1
65	07.0723.0731GT	PLATE .....	1
66	07.0723.0732GT	DOOR LOCK PIN .....	1
67	07.0723.0733GT	WASHER .....	1
68	07.0723.0232GT	Plain Washer D8x16 UNI 6592 .....	2
69	07.0723.0442GT	Pin .....	2

403.1 Open Cab



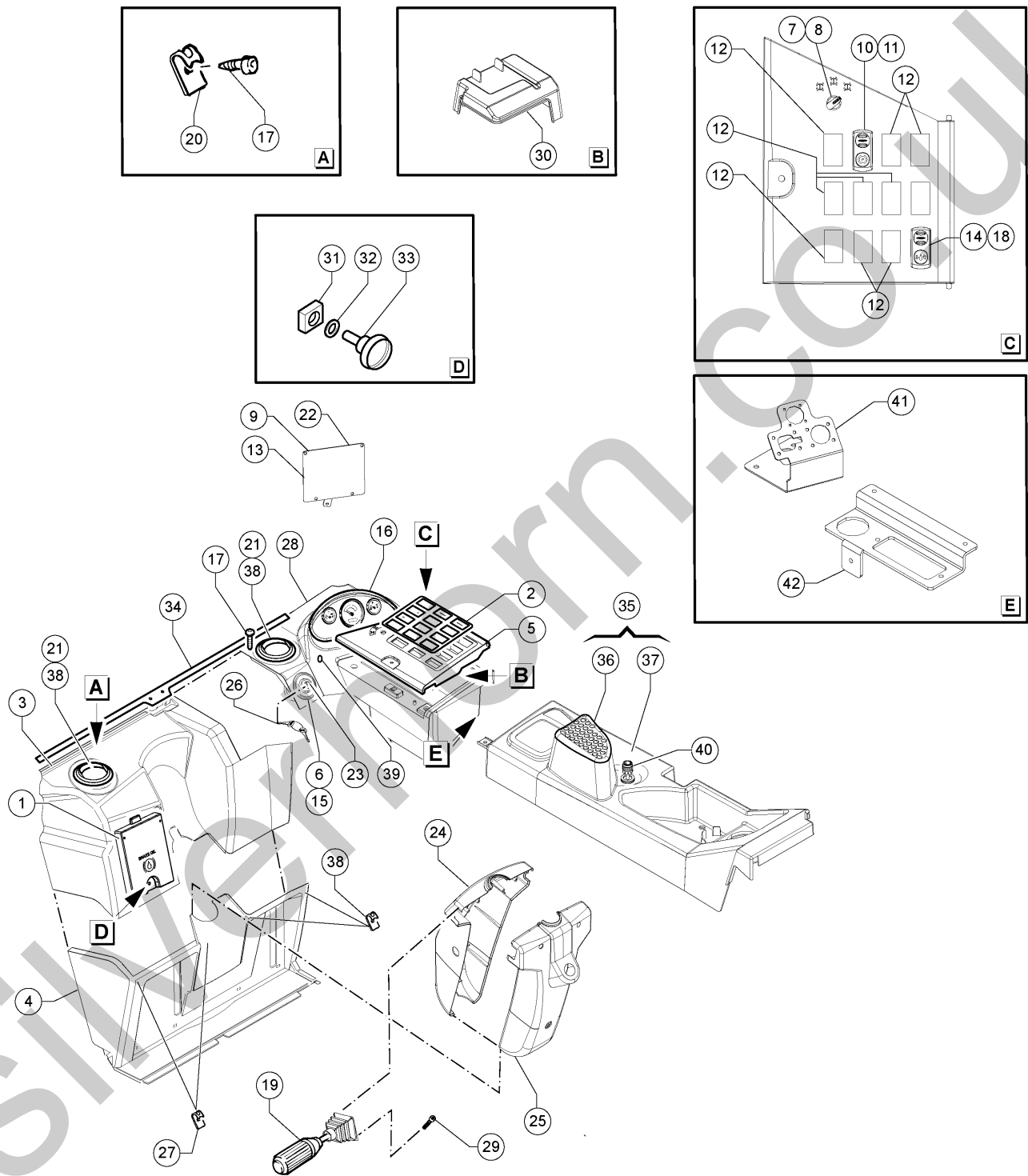
Item	Part No.	Description	Qty.
1	07.0723.0198GT	Right Side Grid .....	1
2	07.0723.0777GT	RIGHT SIDE GRID STOP .....	7
3	07.0723.0627GT	Screw .....	8
4	07.0723.0168GT	Upper Glass .....	1
5	01.0019.0105GT	NUT M10 UNI 5588 6S ZN .....	2
6	07.0723.0042GT	Mirror .....	1
7	07.0723.0040GT	Screw TCB 1BG3223 .....	4
8	07.0723.0651GT	Bracket .....	1
9	07.0723.0652GT	Flashing Beacon Support .....	1
9-	07.0723.0712GT	Plug, 2-terminal .....	
10	56.0010.0005GT	Flashing Beacon Optional .....	1
11	09.4610.0056GT	Seat Assembly W/ Shock Absorber .....	1
11-	07.0703.0508GT	SEAT, CUSHION BACK .....	1
11-	07.0703.0509GT	SEAT,BOTTOM CUSHION .....	1
12	07.0723.0024GT	MIRROR W/BRACKET, SINGLE .....	1
13	07.0723.0654GT	Cap Seal .....	1
14	07.0723.0667GT	PLATE .....	1
15	07.0723.0076GT	Plain Washer D6x18 .....	4
16	09.4610.0044GT	BUSHING D.12,6 .....	1
17	07.0723.0451GT	Cover .....	1
18	07.0723.0453GT	Cover .....	1
19	07.0723.0454GT	COATING .....	1
20	07.0723.0452GT	Cover .....	1
21	07.0723.0630GT	RUBBER CARPET .....	1
22	07.0723.0456GT	External Sound Proofing Panel .....	1
23	09.4610.0038GT	INCLINOMETERS BUBBLE LEVEL .....	1
24	09.4670.0030GT	Lower Vibration Damping .....	2
25	54.0100.0002GT	WASHER D70/16, SP 8 .....	2

403.1 Open Cab



Item	Part No.	Description	Qty.
26	09.0803.0540GT	VIBRATION DAMPENING SUPPORT .....	4
27	54.0100.0017GT	WASHER, ZN, D70/16, SP 4 .....	4
28	01.4031.0001GT	WASHER,CHMFRD,D16,UNI 6593,ZN .....	4
29	01.0023.0058GT	NUT,STOP,M16 UNI 7473 6S ZN .....	4
30	09.4610.0025GT	SHOCK ABSORBER, SEAT .....	1
31	07.0723.0042GT	Mirror .....	1
32	01.4006.0002GT	SCREW M4X15 UNI 5933 10.9 ZN .....	2
33	07.0723.0104GT	RETAINER .....	2
34	01.0031.0056GT	FLAT WASHER D10 UNI 6592 ZN .....	4
35	09.4610.0043GT	Safety Belt 3" Kit .....	1
36	07.0723.0114GT	Nylon Washer .....	3
37	07.0723.0169GT	Screw TSPEI M8x40 .....	2
38	51.0811.4665GT	Plate for Decals .....	1
39	01.0001.0154GT	SCREW,TE,M6X16 UNI 8.8 ZN .....	4
40	01.0031.0298GT	FLAT WASHER D6 UNI 6593 ZN .....	8
41	01.0023.0053GT	STOP NUT M6 UNI 7473 6S ZN .....	4
42	01.0031.0059GT	FLAT WASHER D16 UNI 6592 ZN .....	2
43	07.0723.0055GT	RUBBER PLUG D.10 .....	1
44	07.0723.0054GT	RUBBER PLUG D25 .....	2
45	09.4610.0045GT	Spacer .....	1
46	09.0803.0568GT	Cap .....	2
47	09.0803.0571GT	Shim .....	1
48	01.0002.0000GT	SCREW M10X1,25X45 UNI 5738 8.8 ZN .....	2
49	01.0001.0659GT	Screw TE M16X100 UNI 5737 8.8 ZN .....	4
50	09.4670.0031GT	Upper Vibration Damping .....	2

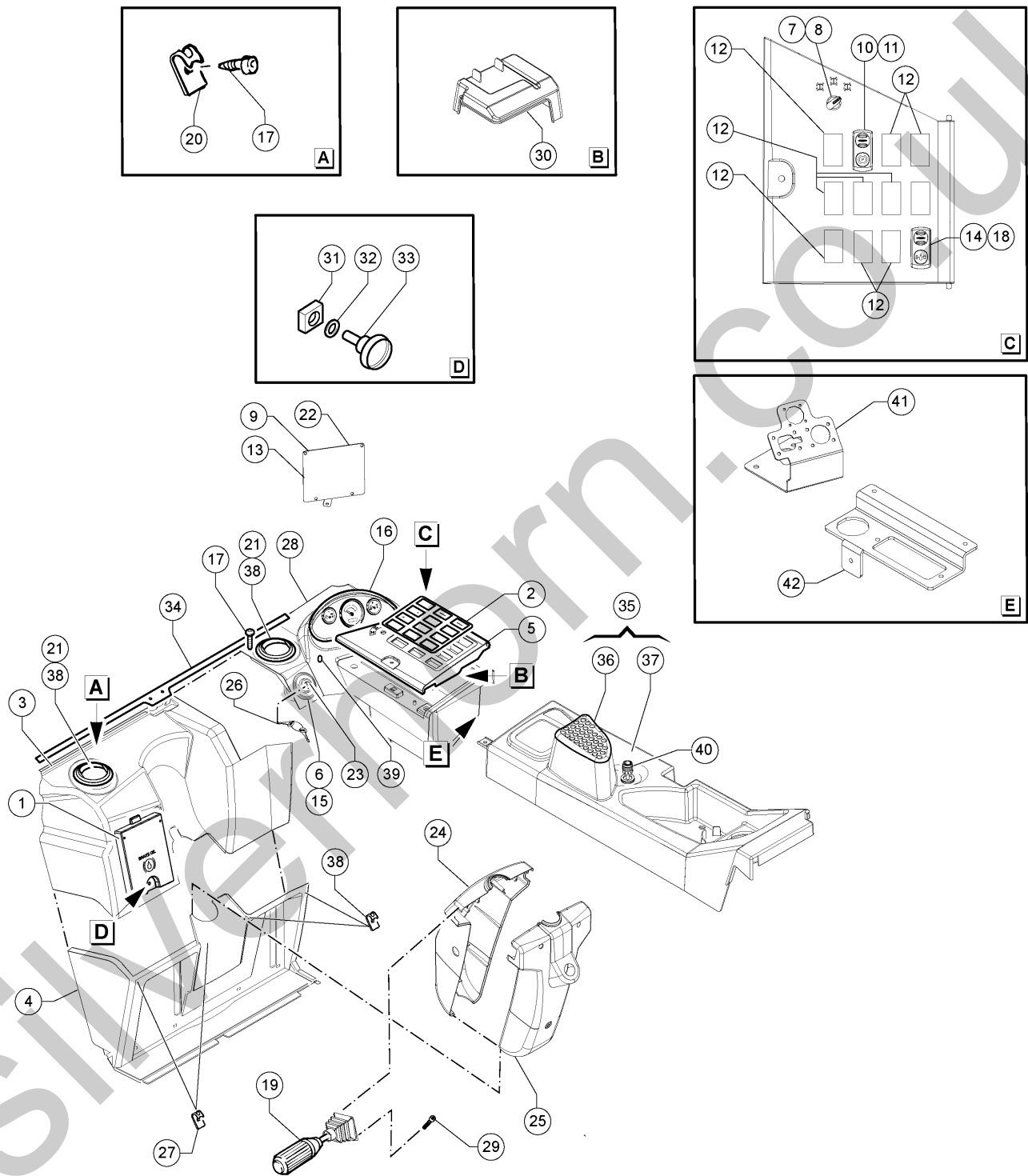
404.1 Dashboard, View 1





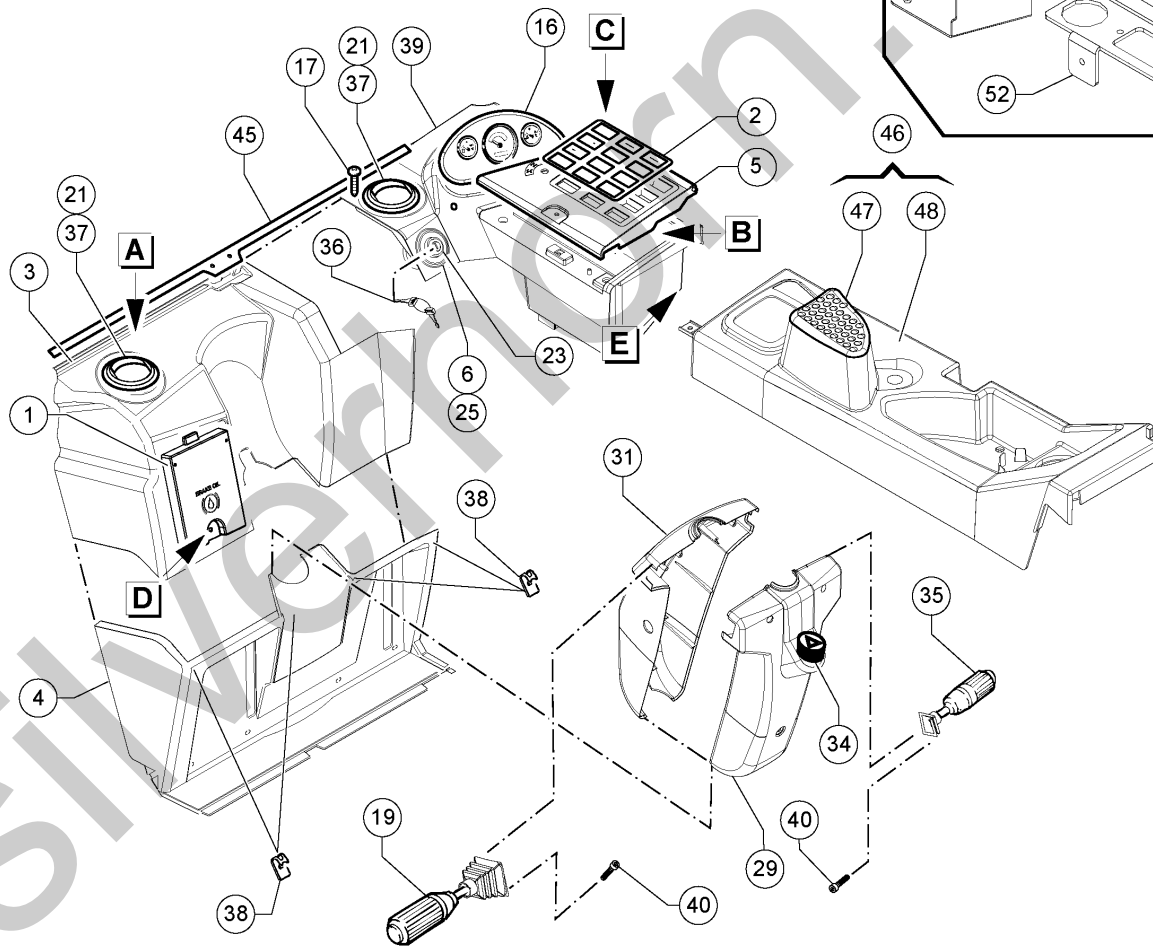
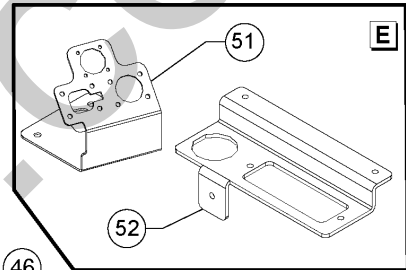
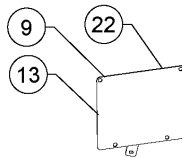
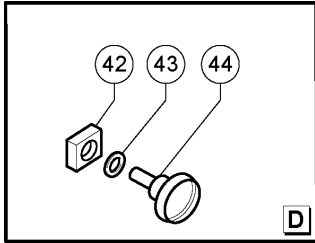
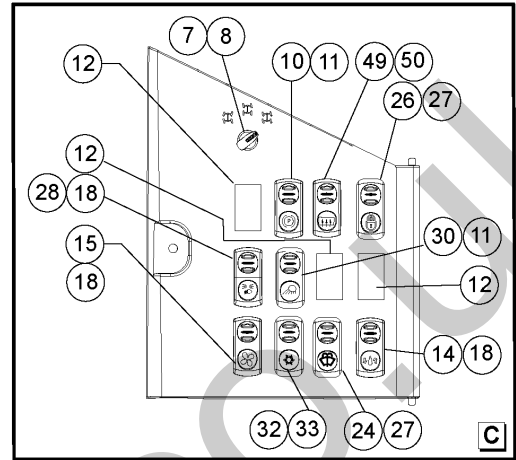
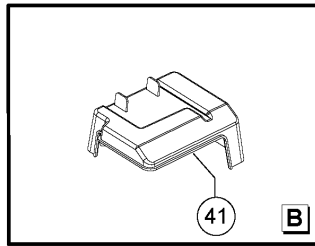
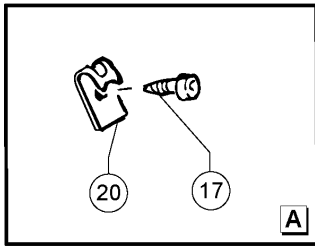
Item	Part No.	Description	Qty.
1	52.1200.5523GT	Oil Tank ABS Cover .....	1
2	52.1200.5547GT	Plate .....	1
3	52.1200.5522GT	Upper Front Dashboard .....	1
4	52.1200.5521GT	Lower Front Dashboard .....	1
5	52.1200.5519GT	COVER,BOX,ABS .....	1
6	54.0100.0099GT	Braking disk .....	1
7	56.0017.0049GT	SWITCH,STEERING MODE .....	1
8	07.0703.0429GT	KNOB, STEERING MODE SELECTOR .....	1
9	51.0811.4009GT	External Support .....	1
10	56.0017.0046GT	SWITCH COVER .....	1
11	56.0017.0044GT	Switch Contact .....	1
12	56.0017.0039GT	Cap .....	10
13	07.0723.0678GT	Load Chart Support .....	1
14	56.0017.0047GT	Continuous Flow Switch Cover .....	1
15	09.4618.2038GT	KEY PLATE .....	1
16	56.0016.0206GT	DISPLAY .....	1
17	07.0723.0039GT	SCREW,PPH SMS 10X3/4ZAKEG .....	10
18	56.0017.0132GT	Switch Contact .....	1
19	56.0016.0210GT	LEVER GEAR .....	1
20	07.0723.0104GT	RETAINER .....	6
21	07.0723.0639GT	Air Inlet .....	2
22	51.0811.4008GT	Internal Support .....	1
23	07.0703.0472GT	Starting Switch .....	1
24	52.1200.5526GT	Rear Steering Column Cover .....	1
25	52.1200.5525GT	Front Steering Column Cover .....	1
26	56.0017.0015GT	KEY ONLY ( 1 PAIR) .....	2
27	09.0803.0572GT	THREADED CLIP M5 .....	4
28	52.1200.5527GT	Instruments Dashboard .....	1

404.1 Dashboard, View 1



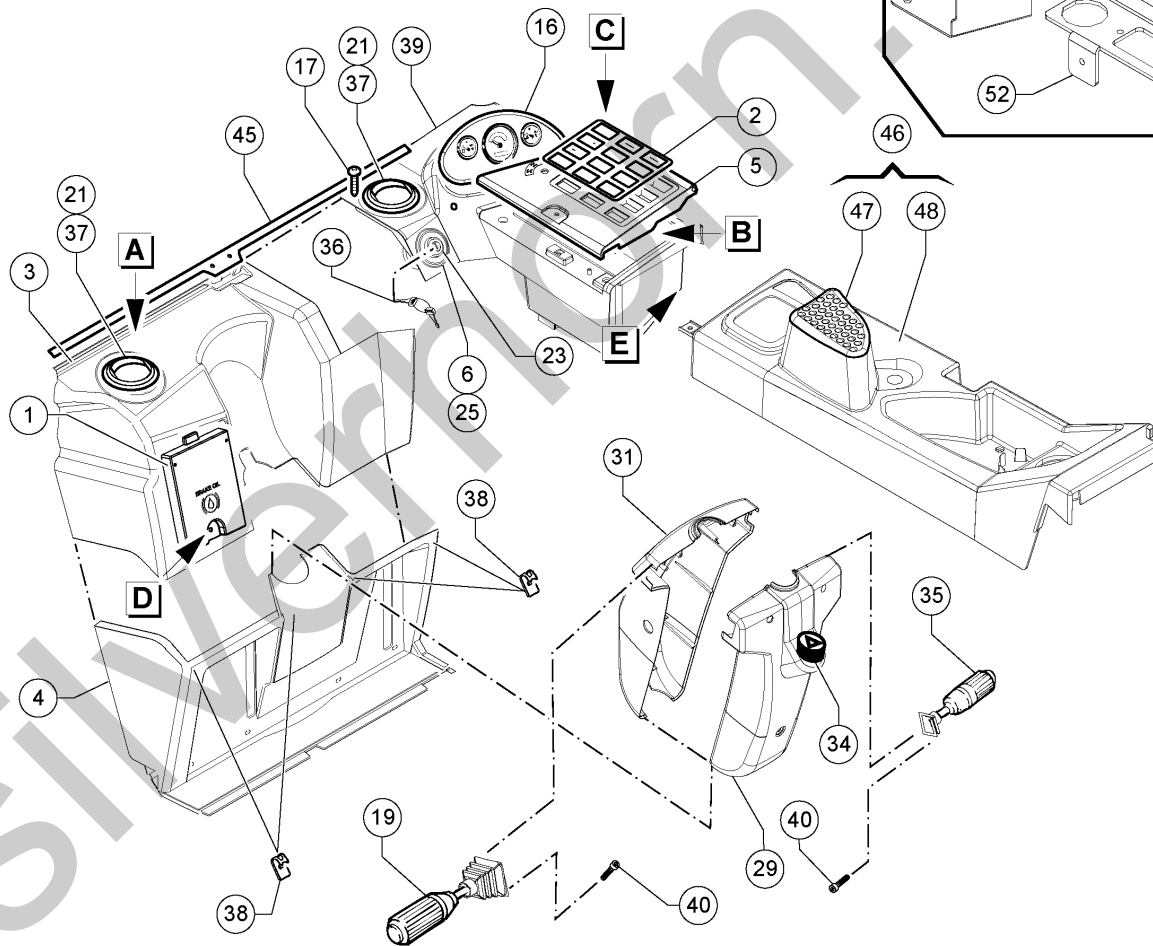
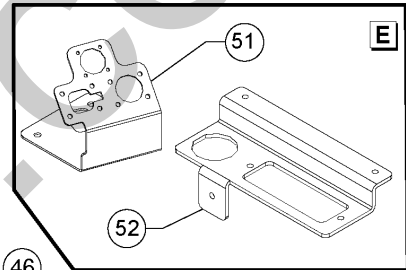
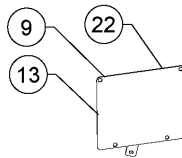
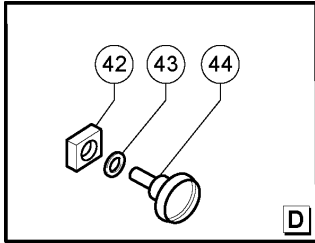
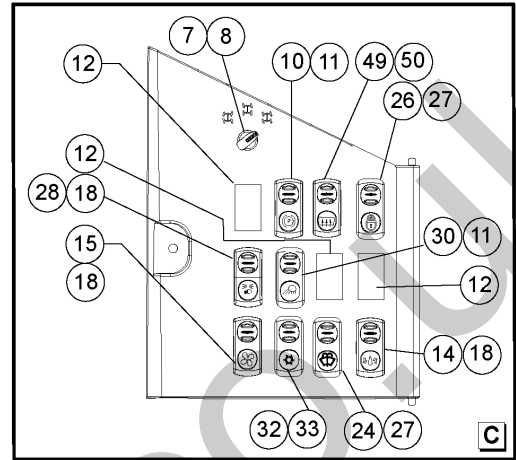
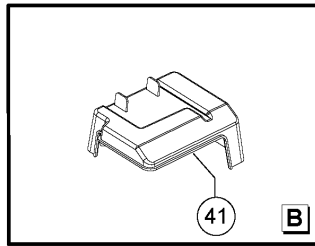
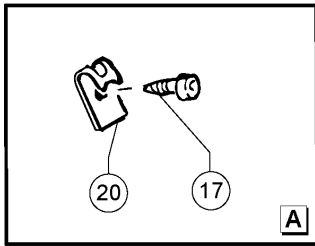
<i>Item</i>	<i>Part No.</i>	<i>Description</i>	<i>Qty.</i>
29	01.4001.0164GT	Screw TC M4 x 10 8.8 ZN UNI 7687 .....	3
30	56.0021.0107GT	Fuse and Relay Cover .....	1
31	07.0723.0629GT	CLIP .....	1
32	07.0723.0628GT	Washer .....	1
33	09.0803.0616GT	Snap Screw .....	1
34	07.0723.0638GT	Profile .....	1
35	55.0511.0001GT	Complete Side ABS Cover .....	1
36	52.1200.5548GT	Panel .....	1
37	52.1200.5528GT	Side ABS Cover .....	1
38	07.0723.0640GT	Air Inlet Fitting .....	2
39	56.0017.0141GT	SWITCH TYCO .....	1
40		Ref. Valve Block (Ref. 601) .....	
41	51.0811.4941GT	CONNECTORS SUPPORT .....	1
42	51.0811.4532GT	SUPPORT .....	1

405.1 Dashboard, View 2



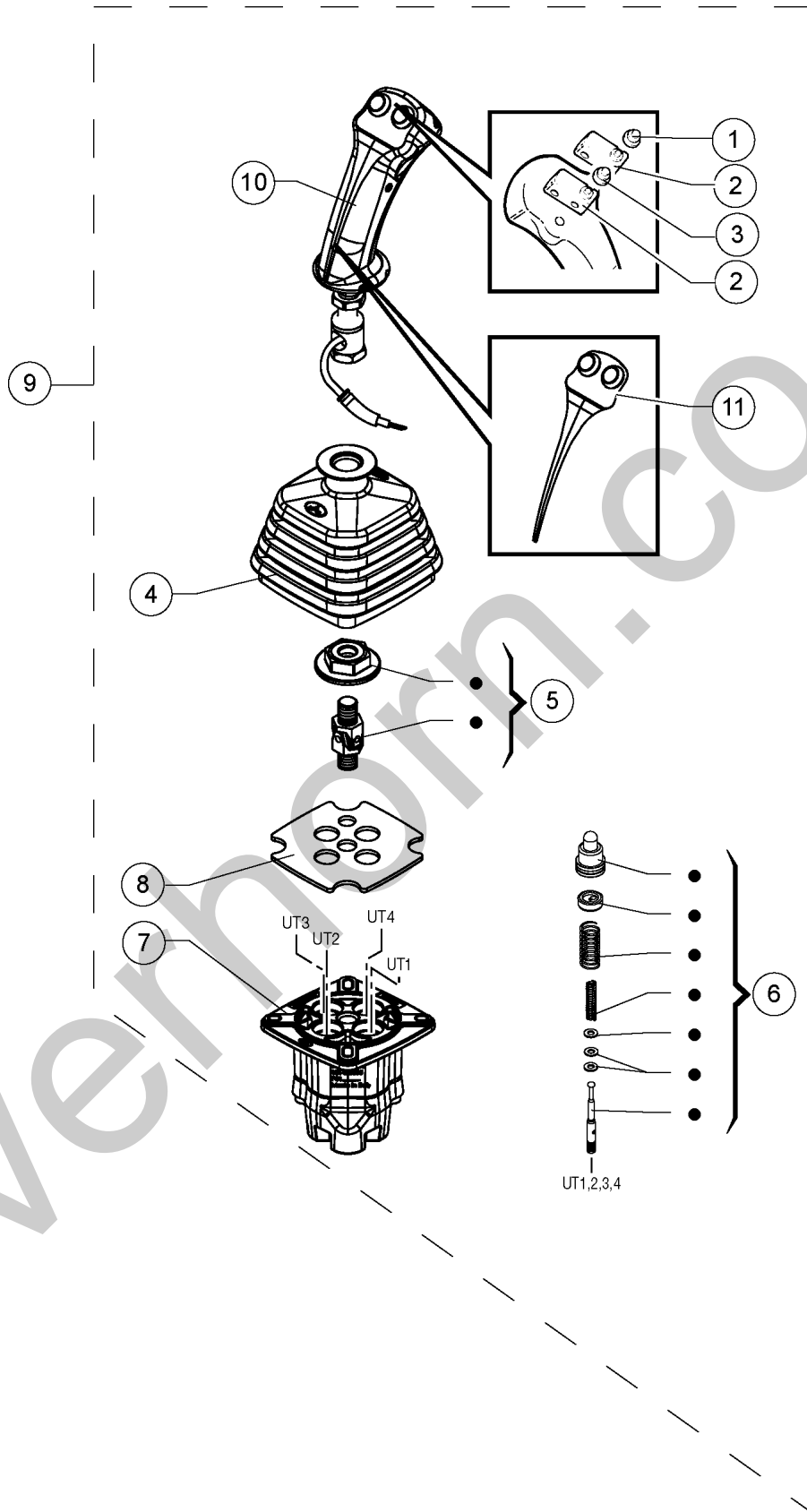
Item	Part No.	Description	Qty.
1	52.1200.5523GT	Oil Tank ABS Cover	1
2	52.1200.5547GT	Plate	1
3	52.1200.5522GT	Upper Front Dashboard	1
4	52.1200.5521GT	Lower Front Dashboard	1
5	52.1200.5519GT	COVER,BOX,ABS	1
6	54.0100.0099GT	Braking disk	1
7	56.0017.0049GT	SWITCH,STEERING MODE	1
8	07.0703.0429GT	KNOB, STEERING MODE SELECTOR Without Switch Contact	1
9	51.0811.4009GT	External Support	1
10	56.0017.0046GT	SWITCH COVER Without Switch Contact	1
11	56.0017.0044GT	Switch Contact	2
12	56.0017.0039GT	Cap	3
13	07.0723.0678GT	Load Chart Support	1
14	56.0017.0047GT	Continuous Flow Switch Cover Without Switch Contact	1
15	56.0017.0054GT	FAN SWITCH COVER Without Switch Contact	1
16	56.0016.0206GT	DISPLAY	1
17	07.0723.0039GT	SCREW,PPH SMS 10X3/4ZAKEG	10
18	56.0017.0132GT	Switch Contact	3
19	56.0016.0210GT	LEVER GEAR	1
20	07.0723.0104GT	RETAINER	6
21	07.0723.0639GT	Air Inlet	2
22	51.0811.4008GT	Internal Support	1
23	07.0703.0472GT	Starting Switch	1
24	56.0017.0038GT	SWITCH COVER Without Switch Contact	1
25	09.4618.2038GT	KEY PLATE	1
26	56.0017.0063GT	SWITCH COVER Without Switch Contact	1
27	56.0017.0035GT	SWITCH	2
28	56.0017.0130GT	Road Lights Switch Cover Without Switch Contact	1

405.1 Dashboard, View 2



Item	Part No.	Description	Qty.
29	52.1200.5525GT	Front Steering Column Cover .....	1
30	56.0017.0045GT	Work Lights Switch Cover .....	1
		Without Switch Contact	
31	52.1200.5526GT	Rear Steering Column Cover .....	1
32	56.0017.0053GT	Air Condition Switch Cover .....	1
		Without Switch Contact	
33	56.0017.0048GT	SWITCH .....	1
34	56.0017.0131GT	SWITCH .....	1
35	56.0016.0183GT	Right lever .....	1
36	56.0017.0015GT	KEY ONLY ( 1 PAIR) .....	2
37	07.0723.0640GT	Air Inlet Fitting .....	2
38	09.0803.0572GT	THREADED CLIP M5 .....	4
39	52.1200.5527GT	Instruments Dashboard .....	1
40	01.4001.0164GT	Screw TC M4 x 10 8.8 ZN UNI 7687 .....	6
		Screw To lock Item 19 - 35 to Steering Column	
41	56.0021.0107GT	Fuse and Relay Cover .....	1
42	07.0723.0629GT	CLIP .....	1
43	07.0723.0628GT	Washer .....	1
44	09.0803.0616GT	Snap Screw .....	1
45	07.0723.0638GT	Profile .....	1
46	55.0511.0001GT	Complete Side ABS Cover .....	1
47	52.1200.5548GT	Panel .....	1
48	52.1200.5528GT	Side ABS Cover .....	1
49	56.0017.0157GT	DEFROST COVER .....	1
50	56.0017.0158GT	SWITCH .....	1
51	51.0811.4941GT	CONNECTORS SUPPORT .....	1
52	51.0811.4532GT	SUPPORT .....	1

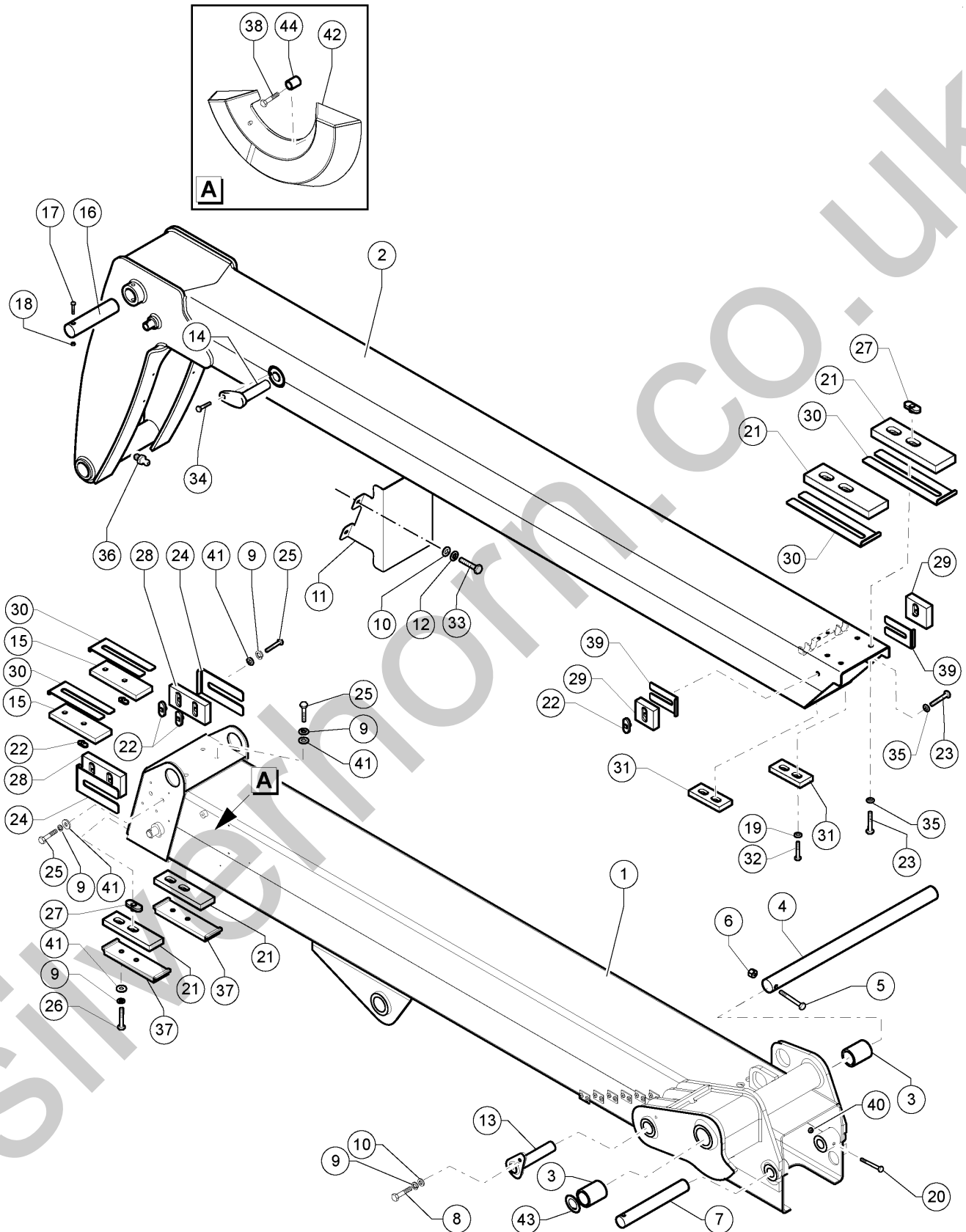
406.1 Joystick





Item	Part No.	Description	Qty.
1	07.0704.0118GT	RED PUSH BUTTON CAP .....	1
2	07.0704.0117GT	PUSH BUTTON .....	2
3	07.0704.0119GT	YELLOW PUSH BUTTON CAP .....	1
4	07.0704.0134GT	Rubber Protection .....	1
5	07.0704.0136GT	ARTICULATION .....	1
6	07.0704.0138GT	Complete Selector .....	4
7	07.0704.0137GT	BODY .....	1
8	07.0704.0169GT	Flange .....	1
9	04.4237.0010GT	Joystick check connector type on unit before ordering .....	1
9-	56.0002.0002GT	Connector .....	
9-	56.0002.0040GT	MALE PIN use with 56.0002.0002 .....	
9-	56.0002.0001GT	CONNECTOR .....	
9-	56.0002.0032GT	PIN, PLUG use with 56.0002.0001 .....	
10	07.0704.0133GT	CONTROL LEVER .....	1
10	07.0704.0173GT	Joystick Handle .....	1
11	07.0704.0473GT	BRACKET Included Item 1, 2, 3 .....	1

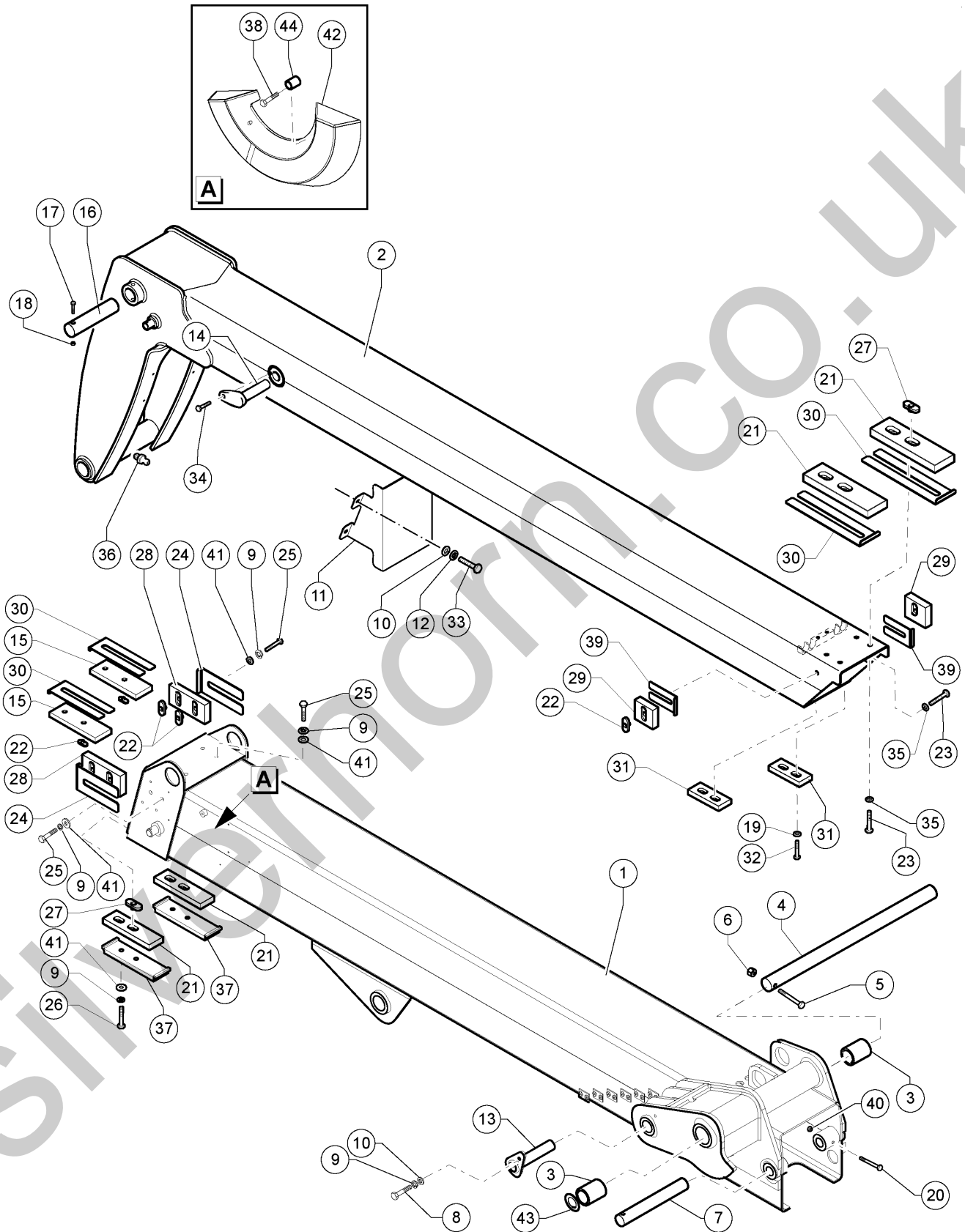
501.1 607932 Boom (1st - 2nd Telescopic Element)



## 501.1 607932 Boom (1st - 2nd Telescopic Element)

Item	Part No.	Description	Qty.
1	51.0201.3943GT	1st Telescopic Element .....	1
2	51.0201.3973GT	2nd Telescopic Element .....	1
3	54.0202.0006GT	Bushing DB 50/58 LG.55 .....	2
4	54.0000.0262GT	PIN .....	1
5	01.4001.0012GT	SCREW M14X100UNI 5737 8.8 ZN .....	1
6	01.0023.0057GT	STOP NUT M14 UNI 7473 6S ZN .....	1
7	54.0000.0258GT	Extension Cylinder Foot Pin .....	1
8	01.0001.0357GT	SCREW,TE,M10X35 UNI 8.8 ZN .....	1
9	01.4032.0004GT	WASHER,LOCK,M10,DIN127 .....	14
10	01.0031.0055GT	FLAT WASHER D8 UNI 6592 ZN .....	5
11	51.0903.5304GT	PROTECTIVE BRACKET .....	1
12	01.4032.0003GT	Spring Washer D 8 ZN .....	2
13	54.0000.0263GT	Levelling Cylinder Head Pin .....	1
14	54.0004.0133GT	Extension Cylinder Head Pin .....	1
15	54.0705.0048GT	SLIDING GUIDE .....	2
16	54.0000.0259GT	PIN .....	1
17	01.4001.0008GT	SCREW M10X90 UNI 5737 8.8 ZN .....	2
18	01.0023.0055GT	Stop Nut M10 UNI 7473 6S ZN .....	2
19	01.0031.0055GT	FLAT WASHER D8 UNI 6592 ZN .....	4
20	01.0001.0209GT	SCREW M8X70 UNI 5737 8.8 ZN .....	1
21	54.0705.0069GT	WEAR PAD,200X60X20 .....	4
22	54.0200.0000GT	BUSHING M10X8.5 .....	1
23	01.4006.0013GT	SCREW M10X25 UNI 5933 10.9 ZN .....	4
24	51.0811.4131GT	SHIM, WEAR PAD,100X60X1 .....	4
25	01.0001.0356GT	SCREW M10X30 UNI 5739 8.8 ZN .....	8
26	01.0001.0355GT	SCREW M10X25 UNI 5739 8.8 ZN .....	4
27	54.0200.0001GT	BUSHING M10X13.5 .....	8
28	54.0705.0049GT	WEAR PAD,100X60X12 .....	2

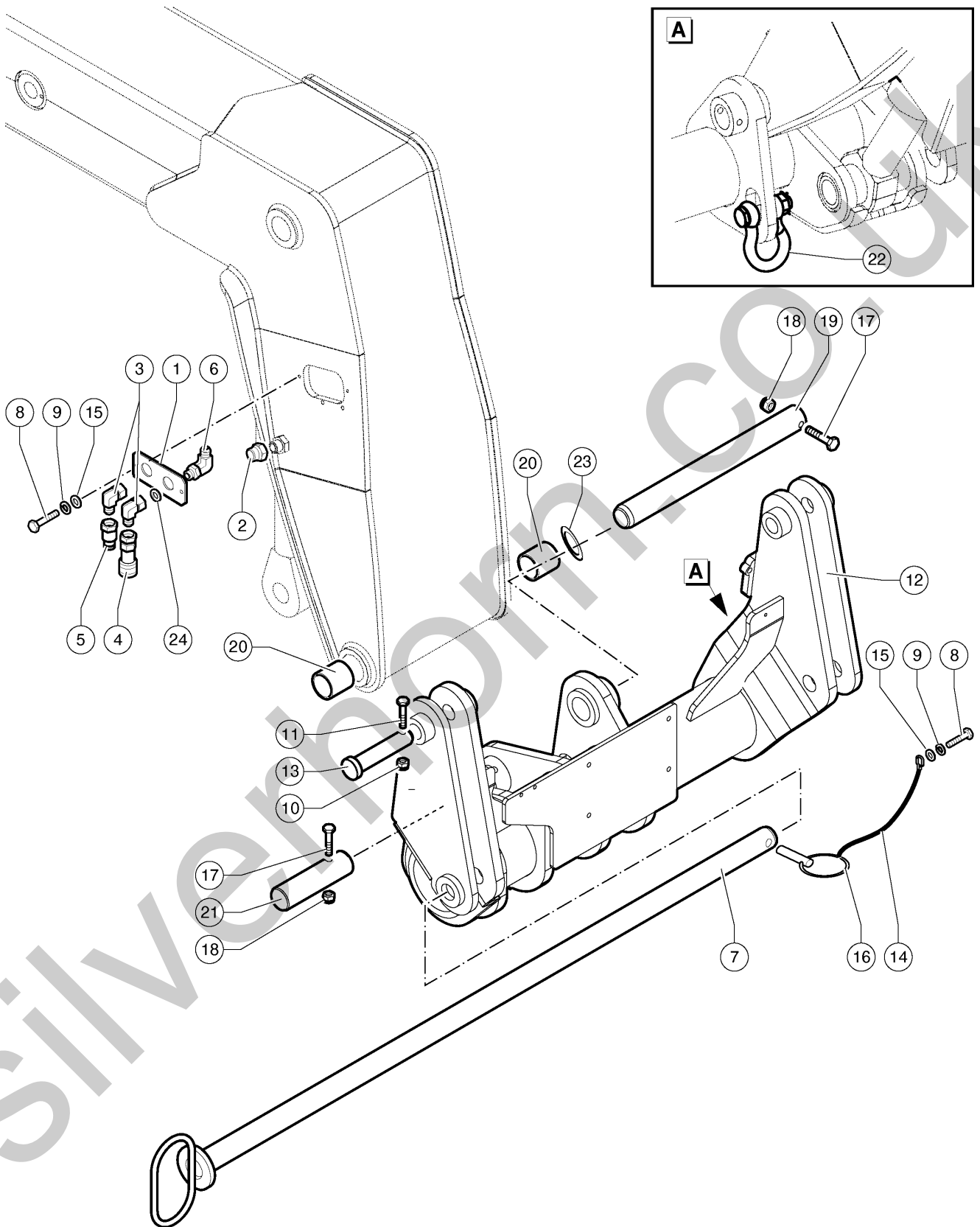
501.1 607932 Boom (1st - 2nd Telescopic Element)



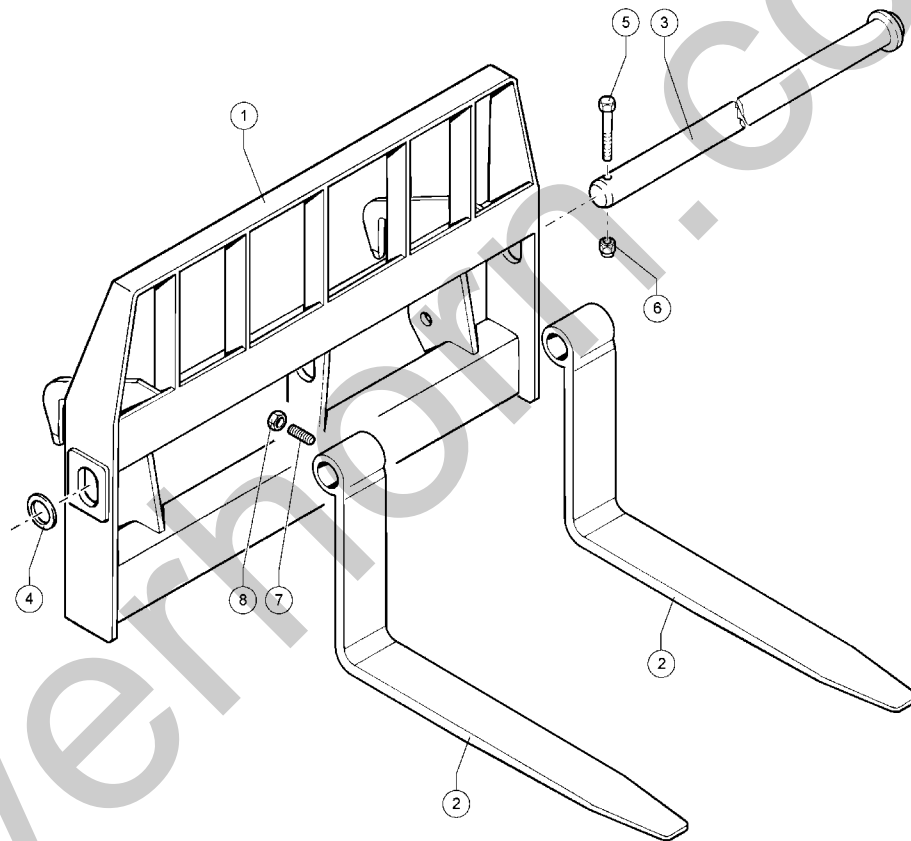
## 501.1 607932 Boom (1st - 2nd Telescopic Element)

Item	Part No.	Description	Qty.
29	54.0705.0037GT	SLIDING GUIDE .....	2
30	51.0811.4240GT	SHIM,WEAR PAD,60X200X1 .....	6
31	54.0705.0047GT	Lower Rear Pad 100X25X15 .....	2
32	01.4003.0041GT	SCREW M8X16 DIN 7984 8.8 ZN .....	3
33	01.0001.0252GT	SCREW M8X16 UNI 5739 8.8 ZN .....	4
34	01.4006.0004GT	SCREW M8X20 UNI 5933 10.9 ZN .....	3
35	09.0803.0062GT	WASHER D10 .....	6
36	02.0117.0119GT	GREASE NIPPLE G 1/8 .....	1
37	07.0726.0043GT	SLIDING BLOCK HOLDER .....	2
38	01.4003.0000GT	SCREW M4X16 UNI 5931 8.8 ZN .....	2
39	51.0811.4241GT	SHIM,WEAR PAD,60X60X1 .....	2
40	01.0023.0054GT	NUT,M8 UNI 7473 6S ZN .....	1
41	01.0031.0301GT	FLAT WASHER D10 UNI 6593 ZN .....	8
42	09.0803.0357GT	BOOM LEVEL INDICATOR .....	1
43	54.0100.0151GT	SHIM .....	2
44	09.0803.0910GT	SHIM D.5,2/10MM H5MM .....	2

502.1 607933 Manual Fork Attachments

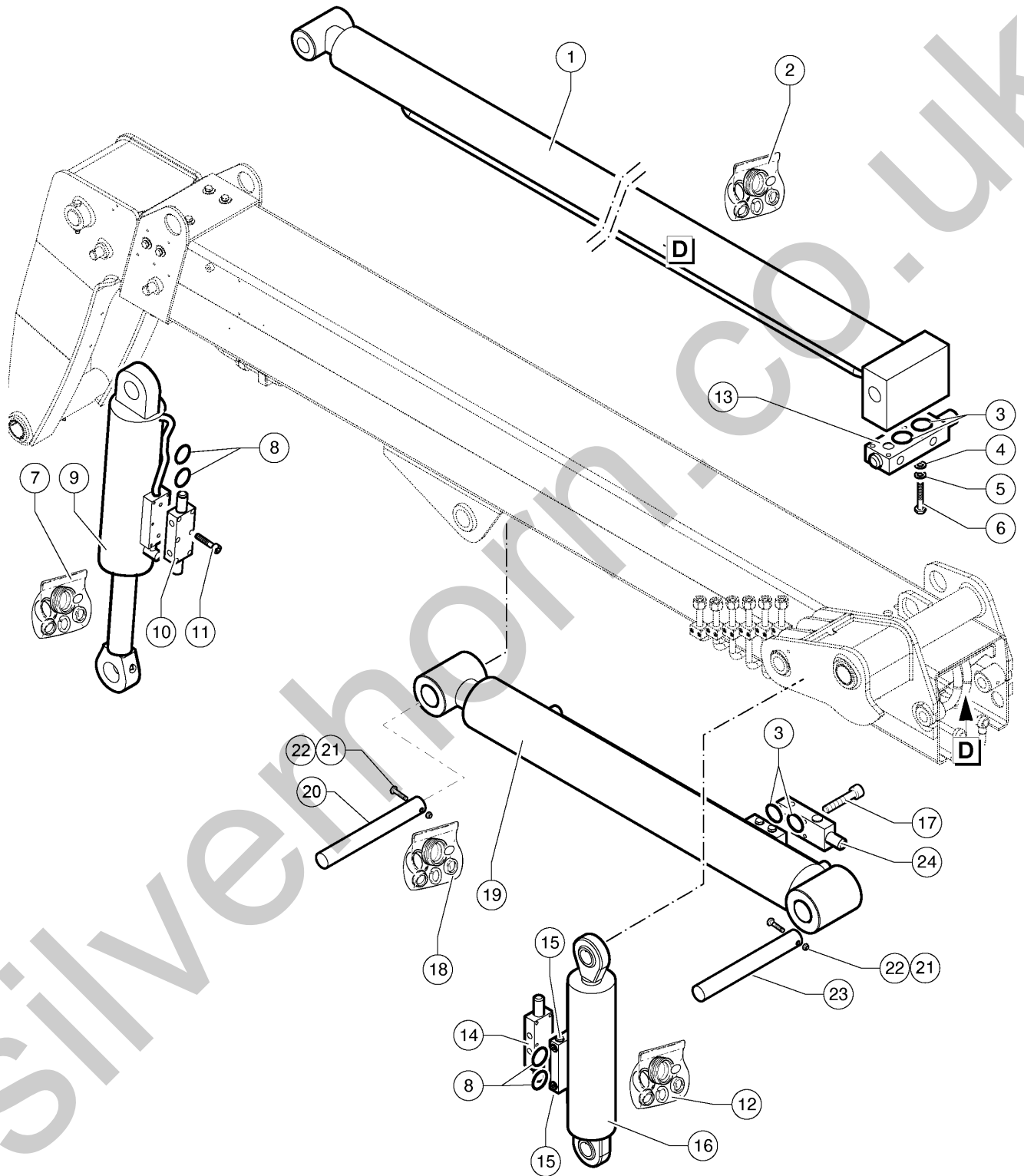


Item	Part No.	Description	Qty.
1	51.0811.4951GT	PASSTHROUGH PLATE .....	1
2	04.0600.0228GT	CAP FITTING F 1/2" BSP .....	1
3	04.0600.0087GT	PIPE FITTING 90 .....	2
4	04.4210.0019GT	QUICK COUPLING, FEMALE 1/2 .....	1
5	04.4210.0018GT	QUICK COUPLING, MALE 1/2 .....	1
6	04.0607.0869GT	FITTING 90 M-M 1/2 bsp x 13/16-16 orfs .....	2
7	54.0000.0235GT	PIN .....	1
8	01.0001.0156GT	SCREW M6X20 UNI 5739 8.8 ZN .....	3
9	01.4032.0002GT	SPRING WASHER D6 ZN .....	3
10	01.0023.0053GT	STOP NUT M6 UNI 7473 6S ZN .....	2
11	01.0001.0104GT	SCREW M6X40 UNI 5739 8.8 ZN .....	2
12	51.0400.5018GT	Fork Attachment .....	1
13	54.0001.0081GT	PIN .....	2
14	09.0803.0406GT	LANYARD,PIN .....	1
15	01.0031.0054GT	FLAT WASHER D6 UNI 6592 ZN .....	3
16	02.4102.0012GT	RING PIN .....	1
17	01.4001.0008GT	SCREW M10X90 UNI 5737 8.8 ZN .....	2
18	01.0023.0055GT	Stop Nut M10 UNI 7473 6S ZN .....	2
19	54.0000.0260GT	PIN .....	1
20	54.0201.0073GT	BUSHING 45/52X50 .....	2
21	54.0000.0261GT	Pin .....	1
22	1312701GT	ASSEMBLY,LIFTING SHACKLE,4.75t .....	1
23	54.0100.0154GT	SHIM .....	1
24	01.0031.0061GT	FLAT WASHER D20 UNI 6592 ZN .....	2



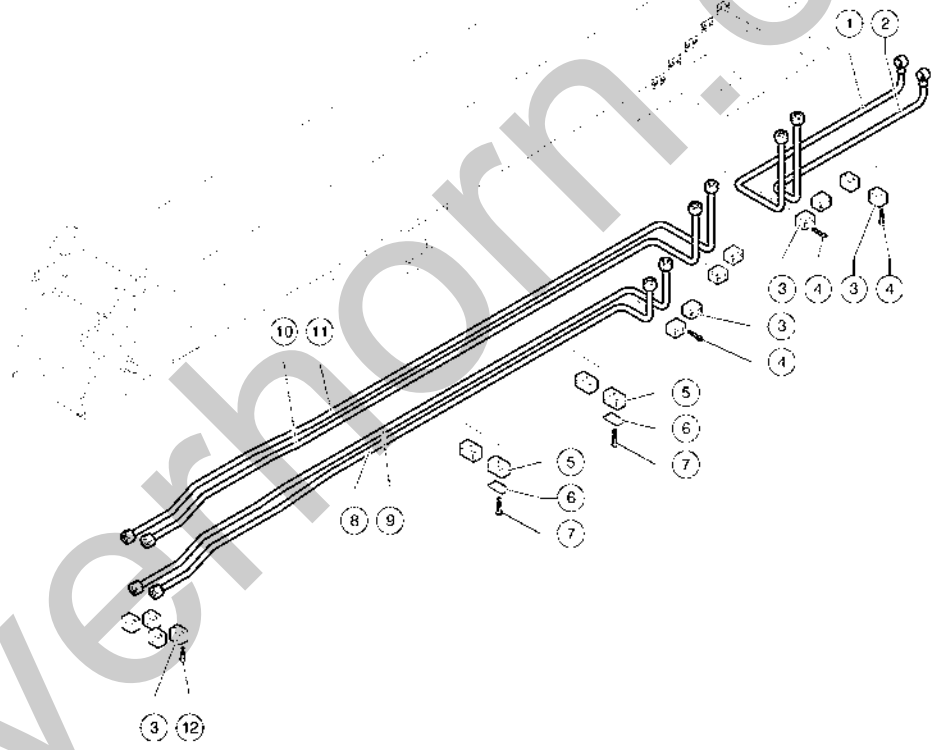


Item	Part No.	Description	Qty.
1	216559GT	Floating Fork Support Plate .....	1
2	216560GT	OPTION,FORK,STANDARD,48" PAIR, (includes qty 2 forks) .....	1
2	216561GT	OPTION,FORK,STANDARD,60" PAIR .....	1
2	51.1301.9236GT	FORK, HEAVY DUTY, 100 X 45 LG.1200 (HD) .....	2
3	1254827GT	PIN,STD 48 CARRIAGE,GTH5519 .....	1
4	54.0100.0027GT	WASHER .....	2
5	01.0001.0409GT	SCREW M12X80 UNI 5737 8.8 ZN .....	1
6	01.0023.0056GT	STOP NUT M12 UNI 7473 6S ZN .....	1
7	01.4041.0005GT	DOWEL M12X25 UNI 5927 12.9 ZN .....	2
8	01.4019.0004GT	NUT M12 UNI 5589 .....	2



Item	Part No.	Description	Qty.
1	53.0100.3230GT	CYLINDER,EXTENSION .....	1
2	07.0721.0121GT	Cylinder Gasket Kit .....	1
3	07.0705.0101GT	O-ring .....	2
4	01.0031.0055GT	FLAT WASHER D8 UNI 6592 ZN .....	4
5	01.4032.0003GT	Spring Washer D 8 ZN .....	4
6	01.0001.0206GT	SCREW M8X55 UNI 5737 8.8 ZN .....	4
7	07.0721.0123GT	Seal Kit Cylinder .....	1
8	07.0722.0037GT	O-ring .....	2
9	53.0400.1817GT	CYLINDER,TILT .....	1
10	04.4239.0157GT	OVERCENTER VALVE .....	1
11	01.0003.0208GT	SCREW,TCEI,M8X40 UNI 8.8ZN .....	12
12	07.0721.0122GT	Cylinder Gasket Kit .....	1
13	04.4239.0159GT	OVERCENTER VALVE .....	1
14	04.4239.0156GT	OVERCENTER VALVE .....	1
15	04.4239.0004GT	SAFETY VALVE .....	2
16	53.0300.2219GT	CYLINDER,SLAVE .....	1
16-	07.0721.0019GT	BALL JOINT .....	2
17	01.0001.0466GT	SCREW M8X50 UNI 5739 8.8 ZN .....	4
18	07.0721.0120GT	Cylinder Gasket Kit .....	1
19	53.0000.3823GT	CYLINDER,LIFT .....	1
20	54.0000.0264GT	Lifting Cylinder Head Pin .....	1
21	01.4001.0003GT	SCREW M12X100 UNI 5737 8.8 ZN .....	2
22	01.0023.0056GT	STOP NUT M12 UNI 7473 6S ZN .....	2
23	54.0000.0256GT	Lifting Cylinder Foot Pin .....	1
24	04.4239.0160GT	OVERCENTER VALVE LIFT CYLINDER .....	1

505.1 607935 First Section Pipes And Clamps



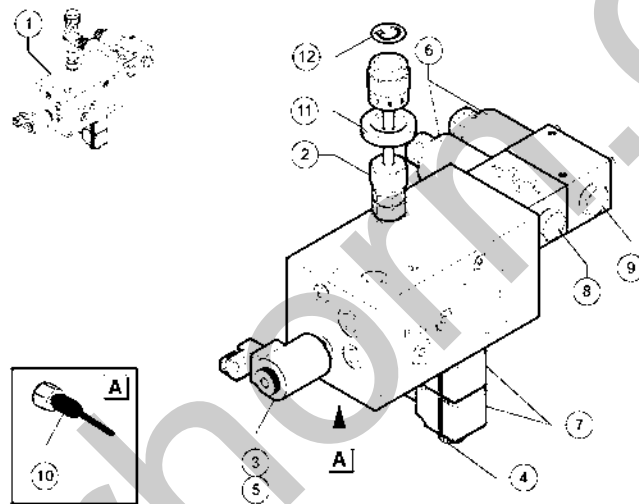
505.1 607935 First Section Pipes And Clamps

Item	Part No.	Description	Qty.
1	53.3402.1900GT	PIPE, 5519 .....	1
2	53.3402.1800GT	Pipe .....	1
2-	07.4529.0082GT	O-Ring .....	
3	09.0803.0043GT	SINGLE HOSE BRACKET D16 .....	12
4	01.0003.0157GT	SCREW M6X25 UNI 5931 8.8 ZN .....	16
5	09.0803.0060GT	CLAMP,DOUBLE,D16 .....	4
6	09.0803.0523GT	DOUBLE HOSE LOCKING PLATE D18 .....	4
7	01.0001.0258GT	SCREW M8X35 UNI 5739 8.8 ZN .....	4
8	53.3402.2000GT	PIPE, 5519 .....	1
9	53.3402.2100GT	PIPE, 5519 .....	1
10	53.3402.2200GT	PIPE, 5519 .....	1
11	53.3402.2300GT	PIPE, 5519 .....	1
12	01.0003.0158GT	SCREW,TCEI,M6X30 UNI 8.8 ZN .....	8

Silverhorn.CO.UK



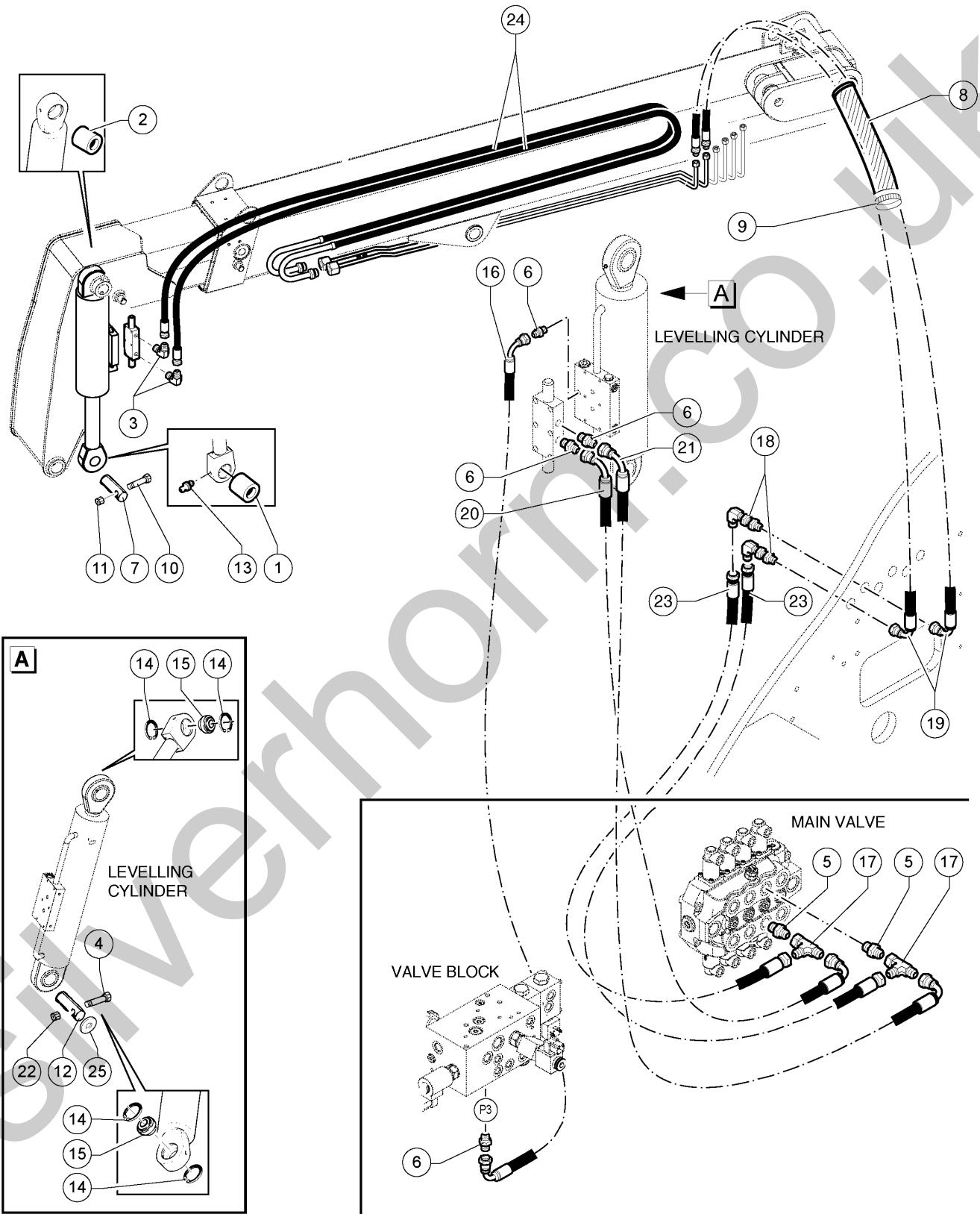
601.1 Valve Block



## 601.1 Valve Block

Item	Part No.	Description	Qty.
1	04.4236.0124GT	HYDRAULIC BLOCK ..... Without Item 12	1
2	07.0705.0095GT	Flow Reduction Valve .....	1
2-	07.0704.0407GT	KNOB ..... for 07.0705.0095	1
3	07.0704.0184GT	Solenoid .....	1
4	07.0705.0100GT	Continuous Oil Electrovalve .....	1
5	07.0705.0094GT	VALVE,SOLND,BRK,DEUTZ TCD4.1 .....	1
6	07.0704.0143GT	SOLENOID**** .....	2
7	07.0705.0099GT	Solenoid .....	2
8	07.0705.0098GT	Lock/Release Electrovalve .....	1
9	07.0705.0097GT	Fork Overturning Electrovalve ..... This valve comes with a coil with a 3 pin din connector, if your unit has a 2 pin Deutsch connector, you will need to also order a coil pn 07.0704.0143gt separately	1
10	56.0012.0027GT	SWITCH, NEGATIVE BRAKE .....	1
11	07.0704.0415GT	Seal Ring .....	1
12	09.4618.1634GT	Label - Continuous Flow Knob .....	1

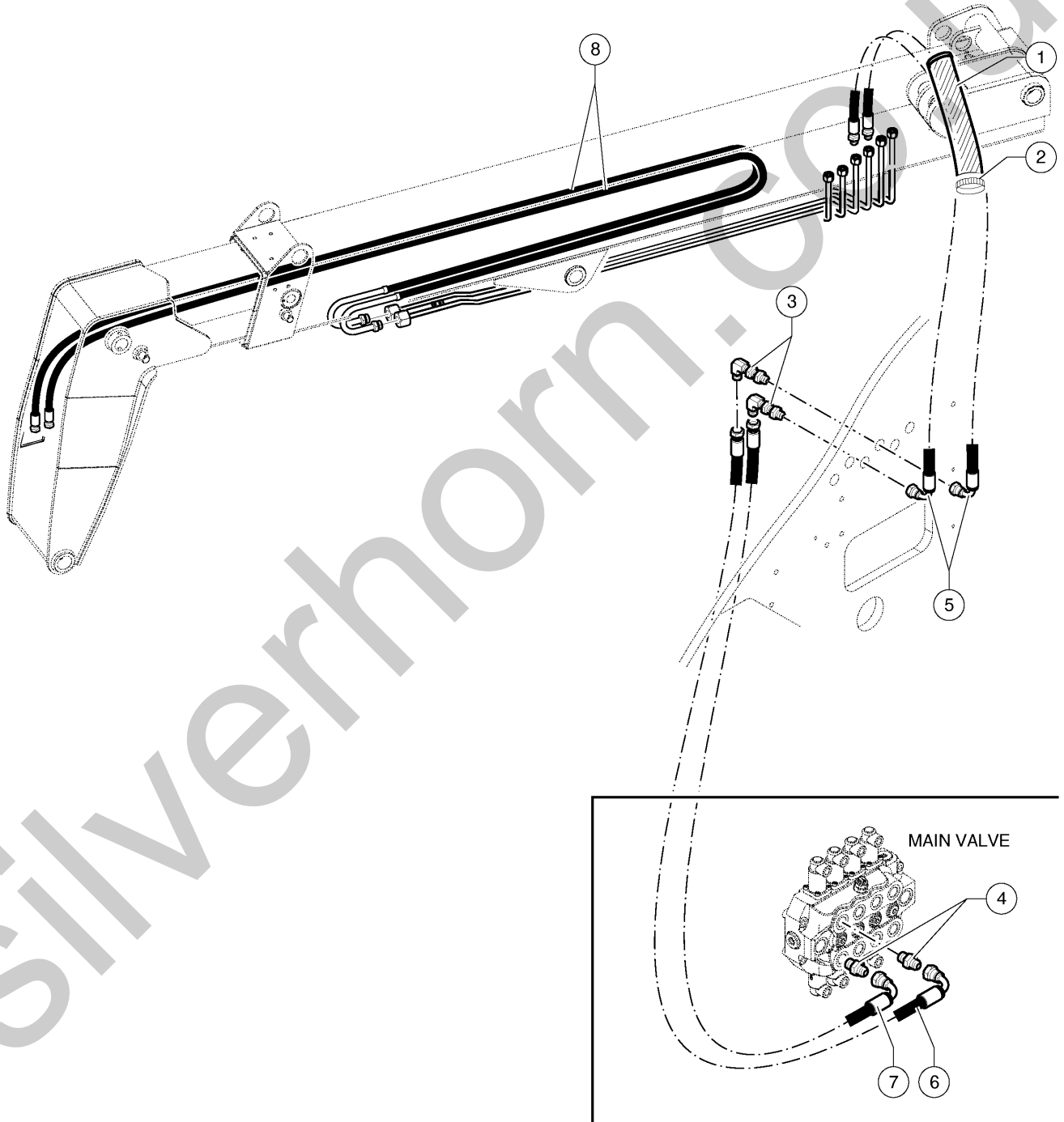
602.1 Fork Balancing





Item	Part No.	Description	Qty.
1	09.0800.0025GT	Bushing 45-55 LG 50 .....	1
2	54.0202.0004GT	BUSHING .....	1
3	04.0607.0141GT	PIPE FITTING 90 1/2GASXM 13/16-16 ORFS .....	2
4	01.0001.0211GT	SCREW M8X80 UNI 5737 8.8 ZN .....	1
5	04.0607.0111GT	PIPE FITTING 1/2 BSPX13/16-16 ORFS .....	4
6	04.0607.0113GT	PIPE FITTING 1/4 BSPX9/16-18 ORFS .....	2
7	54.0000.0261GT	Pin .....	1
8	09.0803.0914GT	HOSE SLEEVE .....	1
9	04.4227.0005GT	CLAMP .....	3
10	01.0001.0308GT	Screw TE M10X70 UNI 5737 8.8 ZN .....	1
11	01.0023.0055GT	Stop Nut M10 UNI 7473 6S ZN .....	1
12	54.0000.0257GT	Pin Lg.142 .....	1
13	02.0117.0101GT	GREASE NIPPLE G1/8 .....	1
14	07.0721.0117GT	SNAP RING .....	4
15	07.0721.0019GT	BALL JOINT .....	2
16	1292730-4331GT	ASSY, HOSE, HYD, -4, 3260, 90, 90@270° .....	1
17	04.0607.0122GT	PIPE FITTING TMF+L 13/16-16 ORFS .....	2
18	04.0607.0124GT	PIPE FITTING 90 M-M 13/16-16 ORFS .....	2
19	1291994-4331GT	ASSY, HOSE, HYD, -8, 4450, 90, STR .....	2
20	1291998-5906GT	ASSY, HOSE, HYD, -8, 4450, 90, 90, @180° .....	1
21	1291997-6103GT	ASSY, HOSE, HYD, -8, 4450, 90, 90, @180° .....	1
22	01.0023.0054GT	NUT,M8 UNI 7473 6S ZN .....	1
23	1292004-6693GT	ASSY, HOSE, HYD, -8, 4450, STR, STR .....	2
24	04.0605.1817GT	Fork Cylinder Double Hose 1/2 6150-6100 SP.F. TO 180° SF 13/16"-16 ORFS .....	1
25	54.0100.0152GT	SHIM .....	1

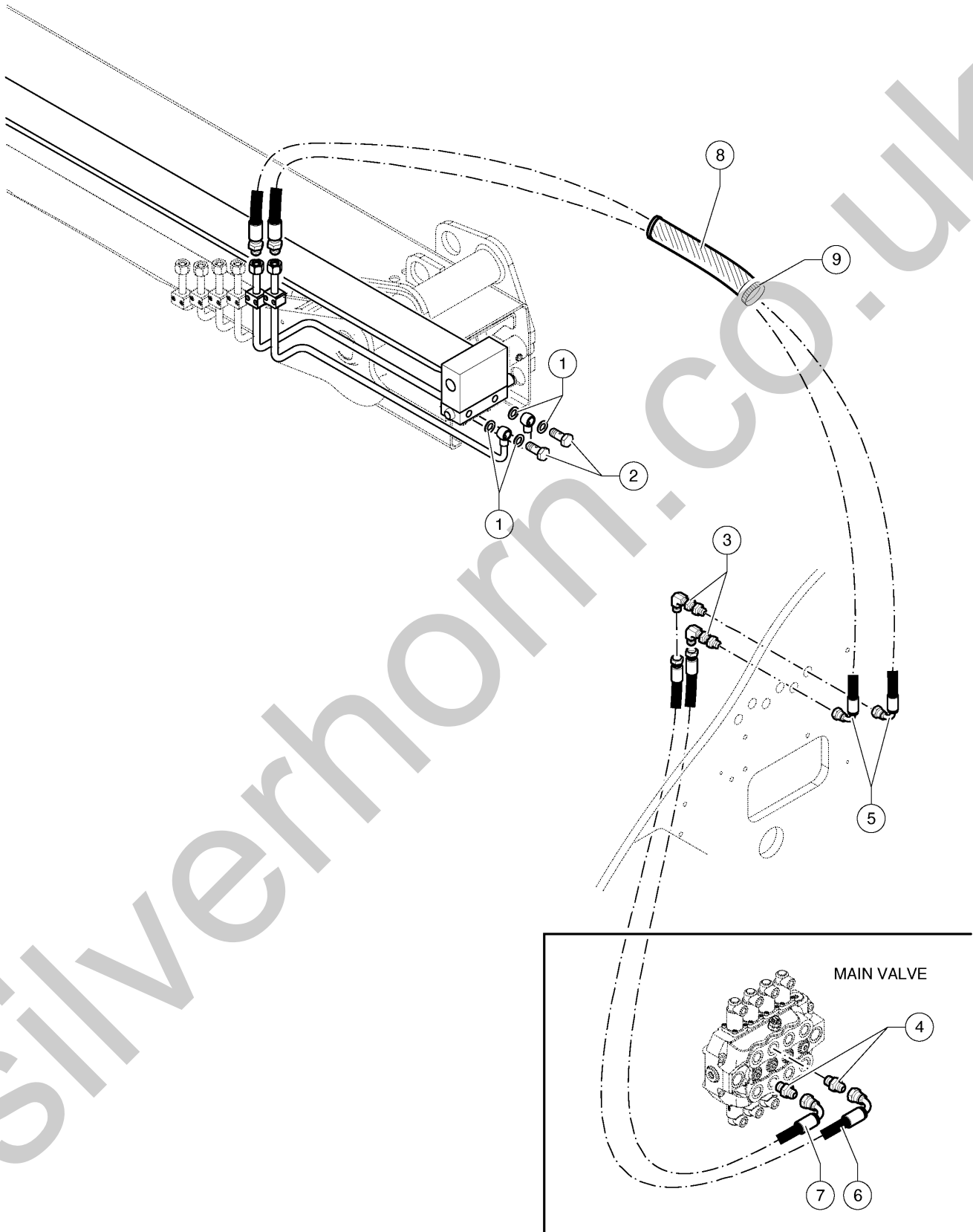
603.1 Auxiliary Circuits



603.1 Auxiliary Circuits

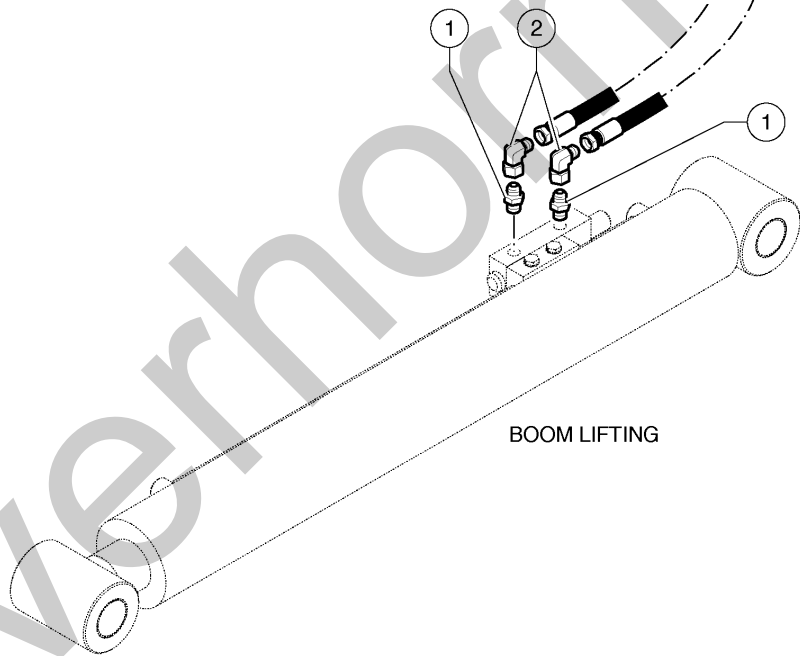
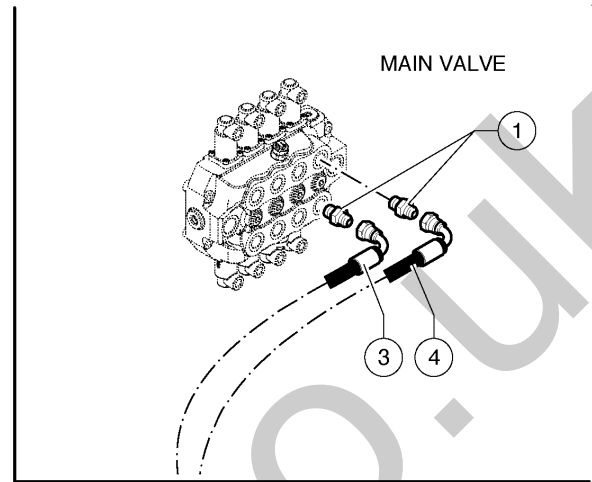
Item	Part No.	Description	Qty.
1	09.0803.0914GT	HOSE SLEEVE .....	1
2	04.4227.0005GT	CLAMP .....	3
3	04.0607.0124GT	PIPE FITTING 90 M-M 13/16-16 ORFS .....	2
4	04.0607.0111GT	PIPE FITTING 1/2 BSPX13/16-16 ORFS .....	2
5	1291994-4331GT	ASSY, HOSE, HYD, -8, 4450, 90, STR .....	2
6	1291858-6693GT	ASSY, HOSE, HYD, -8, 4450, STR, 90 .....	1
7	1291858-6497GT	ASSY, HOSE, HYD, -8, 4450, STR, 90 .....	1
8	04.0605.1608GT	Double Hose 1/2 - SF - R.SP.180° .....	1

604.1 Boom Extension



Item	Part No.	Description	Qty.
1	06.0442.0103GT	COPPER WASHER .....	4
2	04.0214.0035GT	DRILLED SCREW 1/2 BSP .....	2
3	04.0607.0124GT	PIPE FITTING 90 M-M 13/16-16 ORFS .....	2
4	04.0607.0111GT	PIPE FITTING 1/2 BSPX13/16-16 ORFS .....	2
5	1291994-4331GT	ASSY, HOSE, HYD, -8, 4450, 90, STR .....	2
6	1291858-7087GT	ASSY, HOSE, HYD, -8, 4450, STR, 90 .....	1
7	1291858-6890GT	ASSY, HOSE, HYD, -8, 4450, STR, 90 .....	1
8	09.0803.0914GT	HOSE SLEEVE .....	1
9	04.4227.0005GT	CLAMP .....	3

605.1 Boom Lifting



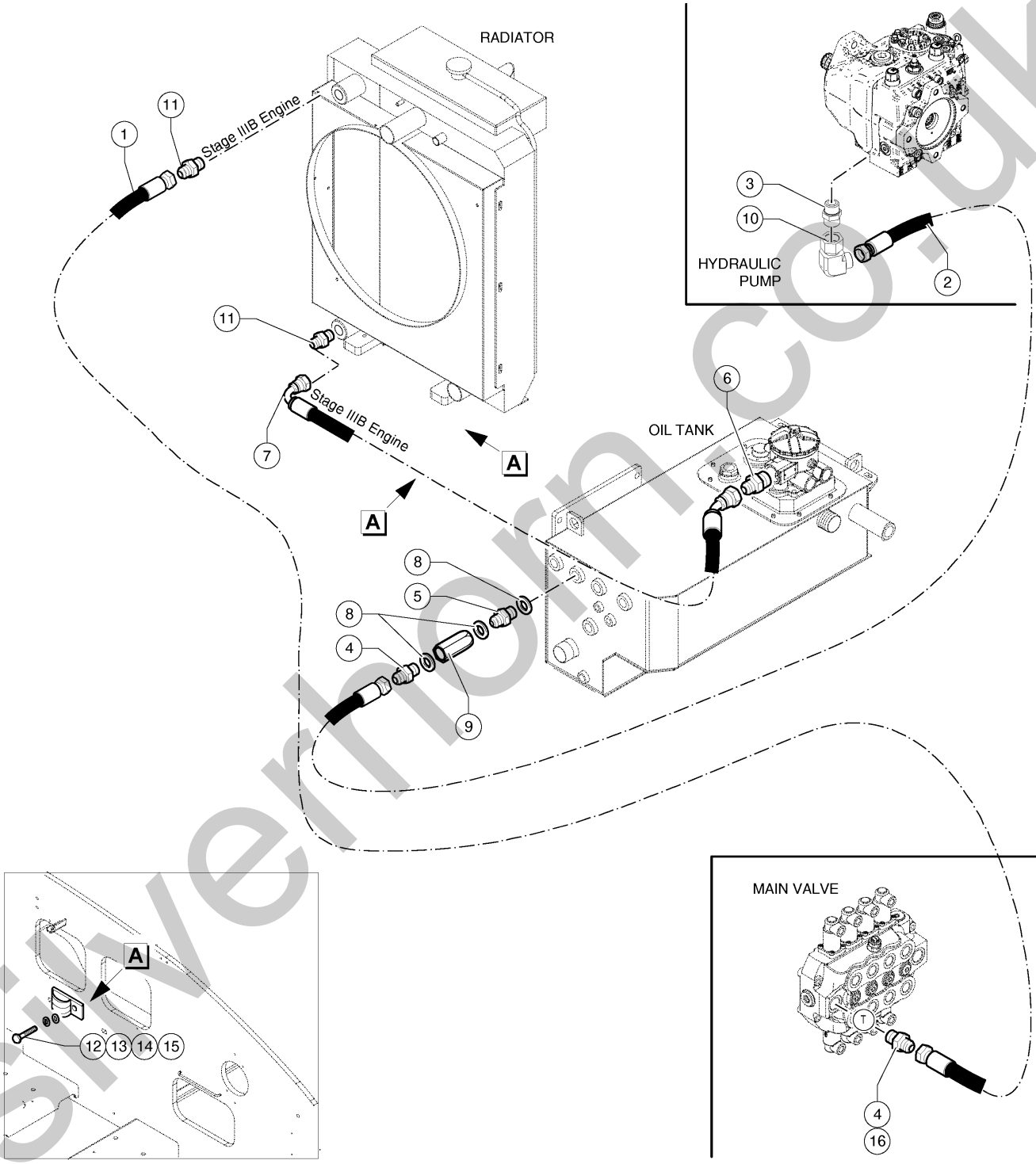
BOOM LIFTING

<i>Item</i>	<i>Part No.</i>	<i>Description</i>	<i>Qty.</i>
1	04.0607.0111GT	PIPE FITTING 1/2 BSPX13/16-16 ORFS .....	4
2	04.0607.0109GT	PIPE FITTING,90 M-F 13/16-16 .....	2
3	1291858-8662GT	ASSY, HOSE, HYD, -8, 4450, STR, 90 .....	1
4	1291858-9056GT	ASSY, HOSE, HYD, -8, 4450, STR, 90 .....	1

Silverhorn.co.uk



606.1 Radiator - IIB Engine (to SN GTH55M-15671, Excluded GTH55M-15503, 15549, 15659)



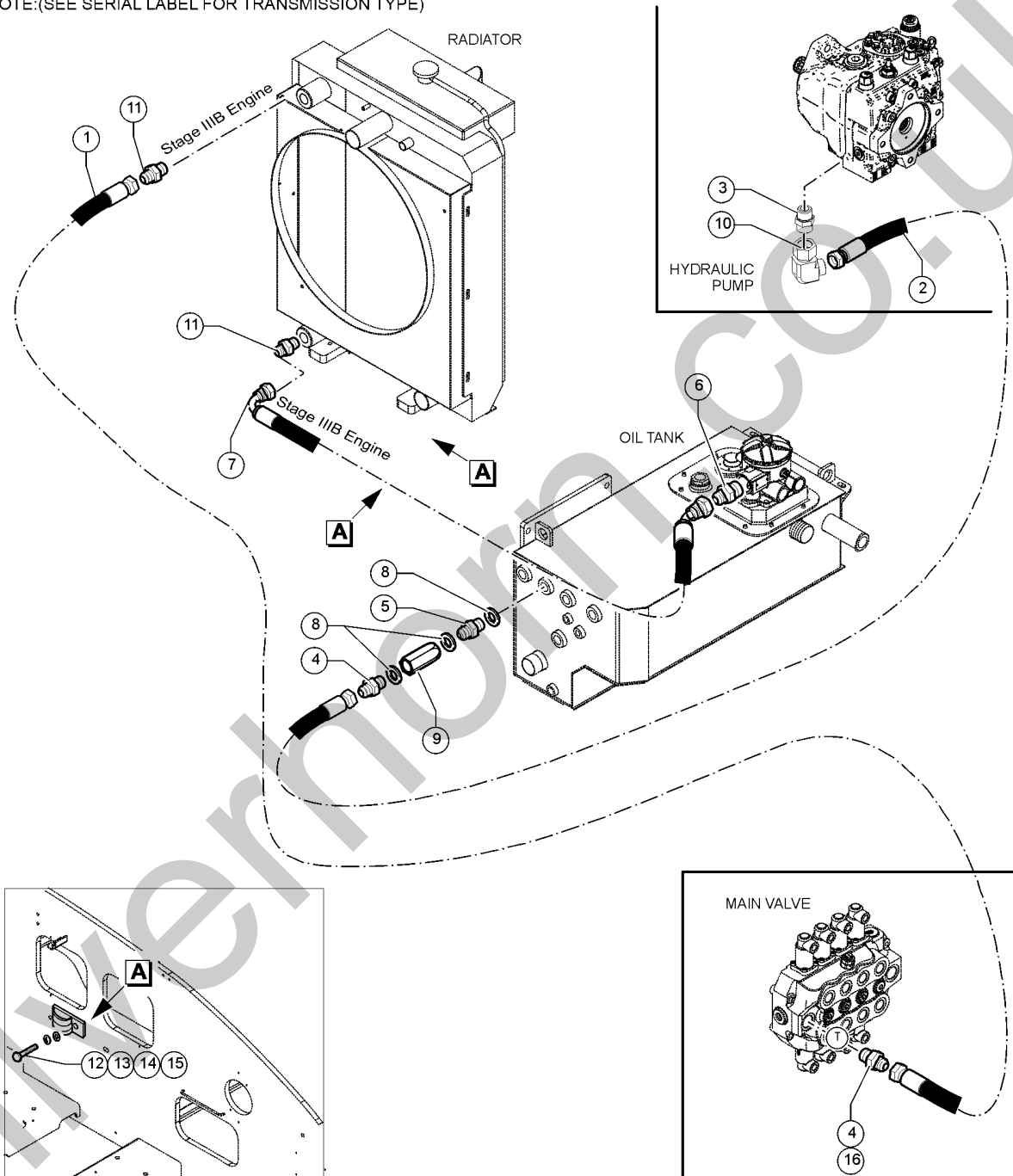


## 606.1 Radiator - IIB Engine (to SN GTH55M-15671, Excluded GTH55M-15503, 15549, 15659)

Item	Part No.	Description	Qty.
1	1292017-9843GT	ASSY, HOSE, HYD, -16, 250, STR, STR .....	1
2	1292248-2166GT	ASSY, HOSE, HYD, -12, 1520, STR, STR .....	1
3	48960GT	CONN,520120-4-6*** .....	1
4	04.0607.0107GT	PIPE FITTING 3/4"BSP X1"3/16-12 ORFS .....	2
5	04.0600.0046GT	PIPE FITTING 3/4X 3/4 BSP .....	1
6	04.0607.0179GT	PIPE FITTING 1"1/4BSP-1"7/16-12 ORFS .....	1
7	1292016-9646GT	ASSY, HOSE, HYD, -16, 250, 45, 90, @90° .....	1
8	06.0442.0124GT	BONDED RING 3/4 .....	3
9	04.4239.0083GT	Valve Vuc 3/4 8 Bar .....	1
10	04.0607.0864GT	Pipe Fitting 90° M-F 1"3/16"-12 ORFS .....	1
11	04.0607.0142GT	PIPE FITTING 1" GASX1-7/16-12 ORFS .....	1
12	04.4227.0016GT	CLAMP D60 HOLE 10.5 .....	2
13	01.0001.0254GT	SCREW M8X20 UNI 5739 8.8 ZN .....	2
14	01.4032.0003GT	Spring Washer D 8 ZN .....	2
15	01.0031.0055GT	FLAT WASHER D8 UNI 6592 ZN .....	2
16	04.0607.0196GT	PIPE FITTING 3/4"BSP/1"7/16-12 ORFS .....	1

606.2 Radiator - IIB Engine Transmission Type D (from SN GTH55M-15672)

NOTE: (SEE SERIAL LABEL FOR TRANSMISSION TYPE)

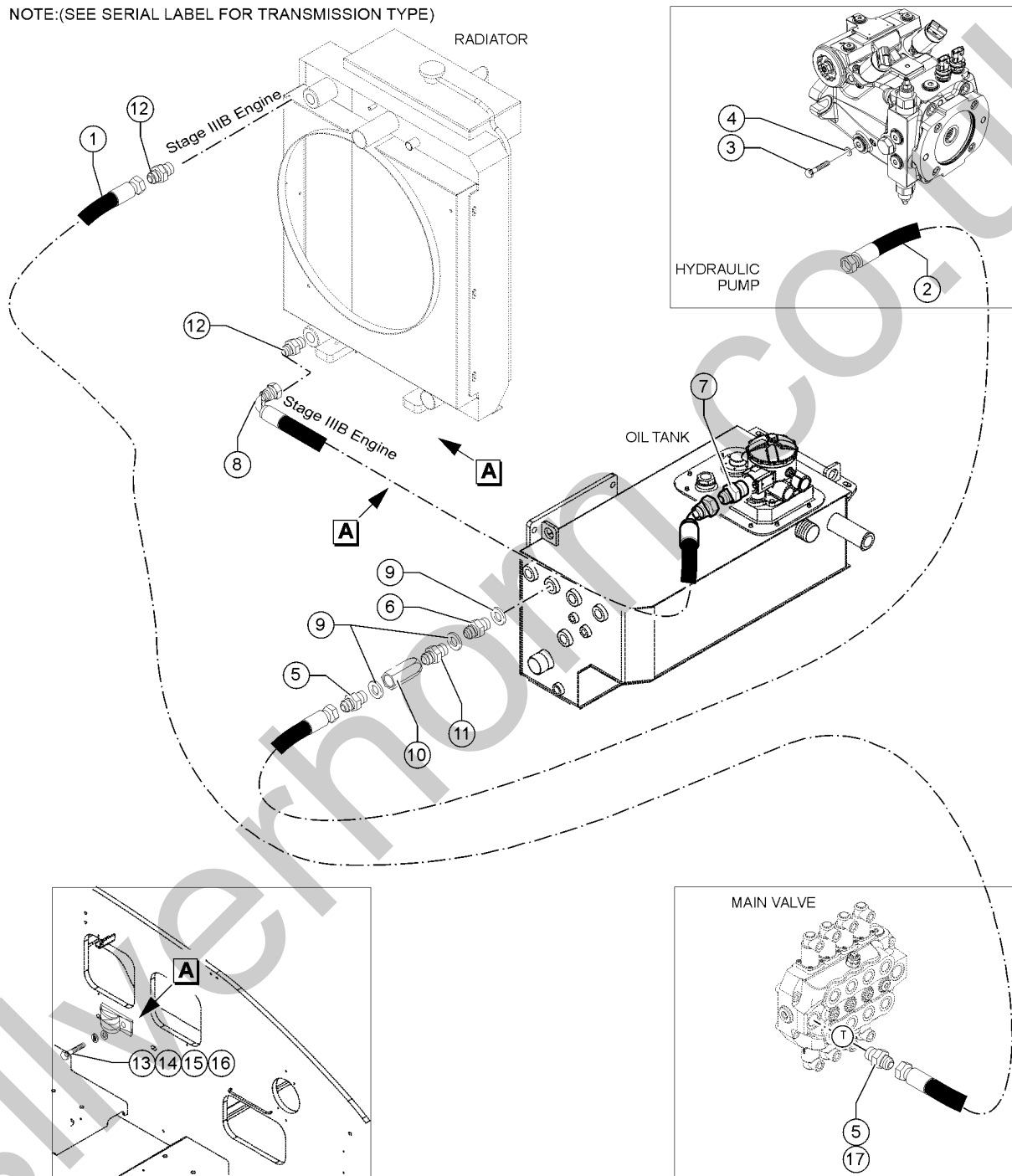


## 606.2 Radiator - IIIB Engine Transmission Type D (from SN GTH55M-15672)

Item	Part No.	Description	Qty.
1	1292017-10040GT	ASSY, HOSE, HYD, -16, 250, STR, STR .....	1
2	1292248-2166GT	ASSY, HOSE, HYD, -12, 1520, STR, STR .....	1
3	48960GT	CONN,520120-4-6*** .....	1
4	04.0607.0107GT	PIPE FITTING 3/4"BSP X1"3/16-12 ORFS .....	2
5	04.0600.0046GT	PIPE FITTING 3/4X 3/4 BSP .....	1
6	04.0607.0179GT	PIPE FITTING 1"1/4BSP-1"7/16-12 ORFS .....	1
7A	1292016-9646GT	ASSY, HOSE, HYD, -16, 250, 45, 90, @90° for Deutz Tier4F engine .....	1
7B	1292018-10237GT	ASSY, HOSE, HYD, -16, 250, 45, 45, @200° for Deutz Tier4I 3A engine .....	1
8	06.0442.0124GT	BONDED RING 3/4 .....	3
9	04.4239.0013GT	VALVE .....	1
10	04.0607.0864GT	Pipe Fitting 90° M-F 1"3/16"-12 ORFS .....	1
11	04.0607.0142GT	PIPE FITTING 1" GASX1-7/16-12 ORFS .....	1
12	04.4227.0016GT	CLAMP D60 HOLE 10.5 .....	2
13	01.0001.0254GT	SCREW M8X20 UNI 5739 8.8 ZN .....	2
14	01.4032.0003GT	Spring Washer D 8 ZN .....	2
15	01.0031.0055GT	FLAT WASHER D8 UNI 6592 ZN .....	2
16	04.0607.0196GT	PIPE FITTING 3/4"BSP/1"7/16-12 ORFS .....	1

606.3 Radiator - IIB Engine Transmission Type B (from SN GTH55M-15672, Included GTH55M-15503, 15549, 15659)

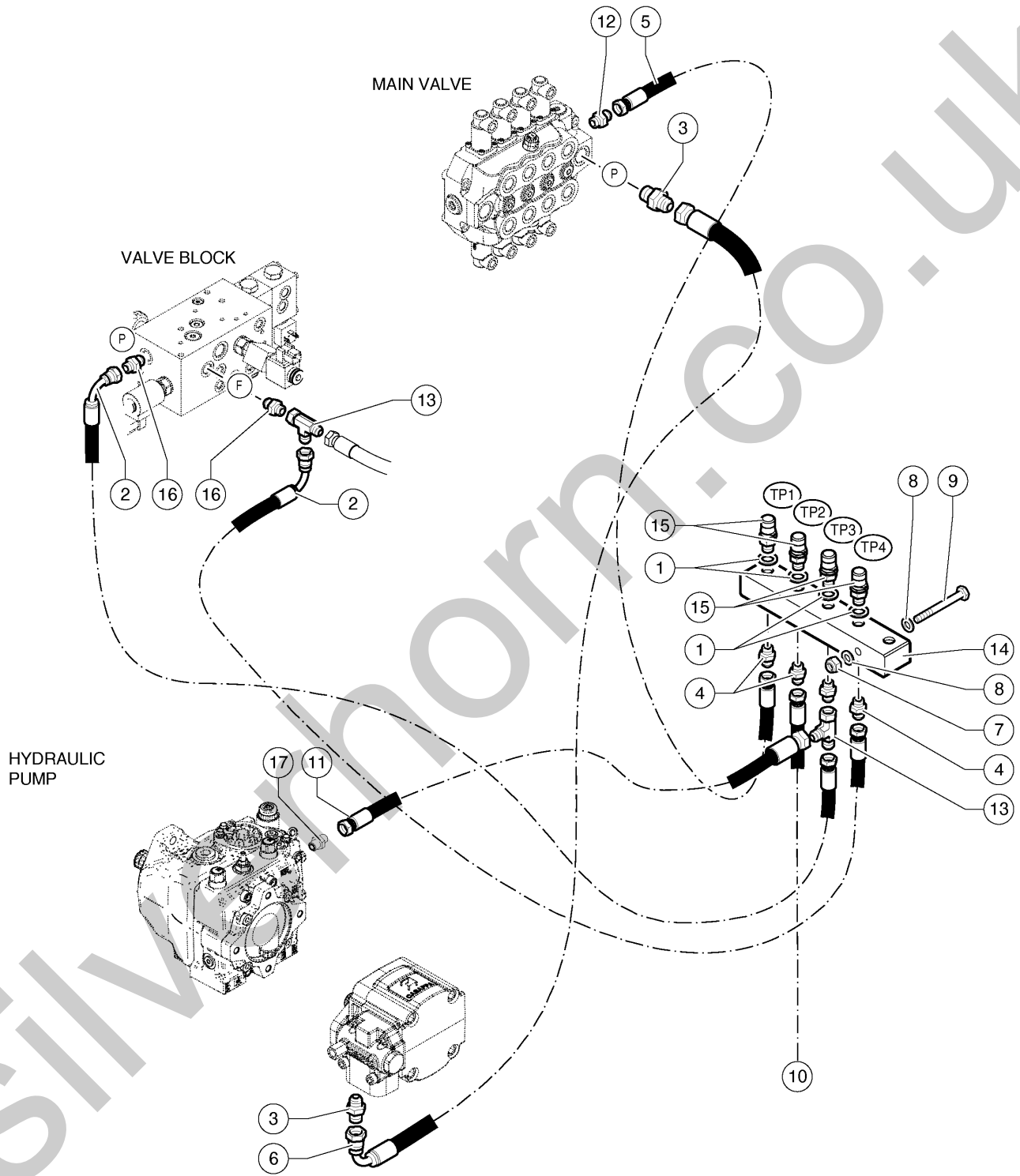
NOTE:(SEE SERIAL LABEL FOR TRANSMISSION TYPE)



## 606.3 Radiator - IIB Engine Transmission Type B (from SN GTH55M-15672, Included GTH55M-15503, 15549, 15659)

Item	Part No.	Description	Qty.
1	1292017-10040GT	ASSY, HOSE, HYD, -16, 250, STR, STR .....	1
2	1318388-4134GT	HOSE, HYD, -12, 1520, STR, BANJO .....	1
3	1318390GT	BOLT,PERFORED,M22-1.5X38 .....	1
4	1318391GT	WASHER,RUBBER,M22X30X2 .....	2
5	04.0607.0107GT	PIPE FITTING 3/4"BSP X1"3/16-12 ORFS .....	2
6	04.0600.0046GT	PIPE FITTING 3/4X 3/4 BSP .....	1
7	04.0607.0179GT	PIPE FITTING 1"1/4BSP-1"7/16-12 ORFS .....	1
8A	1292016-9646GT	ASSY, HOSE, HYD, -16, 250, 45, 90, @90° for Deutz Tier4F engine .....	1
8B	1292018-10237GT	ASSY, HOSE, HYD, -16, 250, 45, 45, @200° for Deutz Tier4I 3A engine .....	1
9	06.0442.0124GT	BONDED RING 3/4 .....	3
10	04.4239.0013GT	VALVE .....	1
11	04.0600.0078GT	PIPE FITTING .....	1
12	04.0607.0142GT	PIPE FITTING 1" GASX1-7/16-12 ORFS .....	1
13	04.4227.0016GT	CLAMP D60 HOLE 10.5 .....	2
14	01.0001.0254GT	SCREW M8X20 UNI 5739 8.8 ZN .....	2
15	01.4032.0003GT	Spring Washer D 8 ZN .....	2
16	01.0031.0055GT	FLAT WASHER D8 UNI 6592 ZN .....	2
17	04.0607.0196GT	PIPE FITTING 3/4"BSP/1"7/16-12 ORFS .....	1

607.1 Test Port (to SN GTH55M-15671, Excluded GTH55M-15503, 15549, 15659)

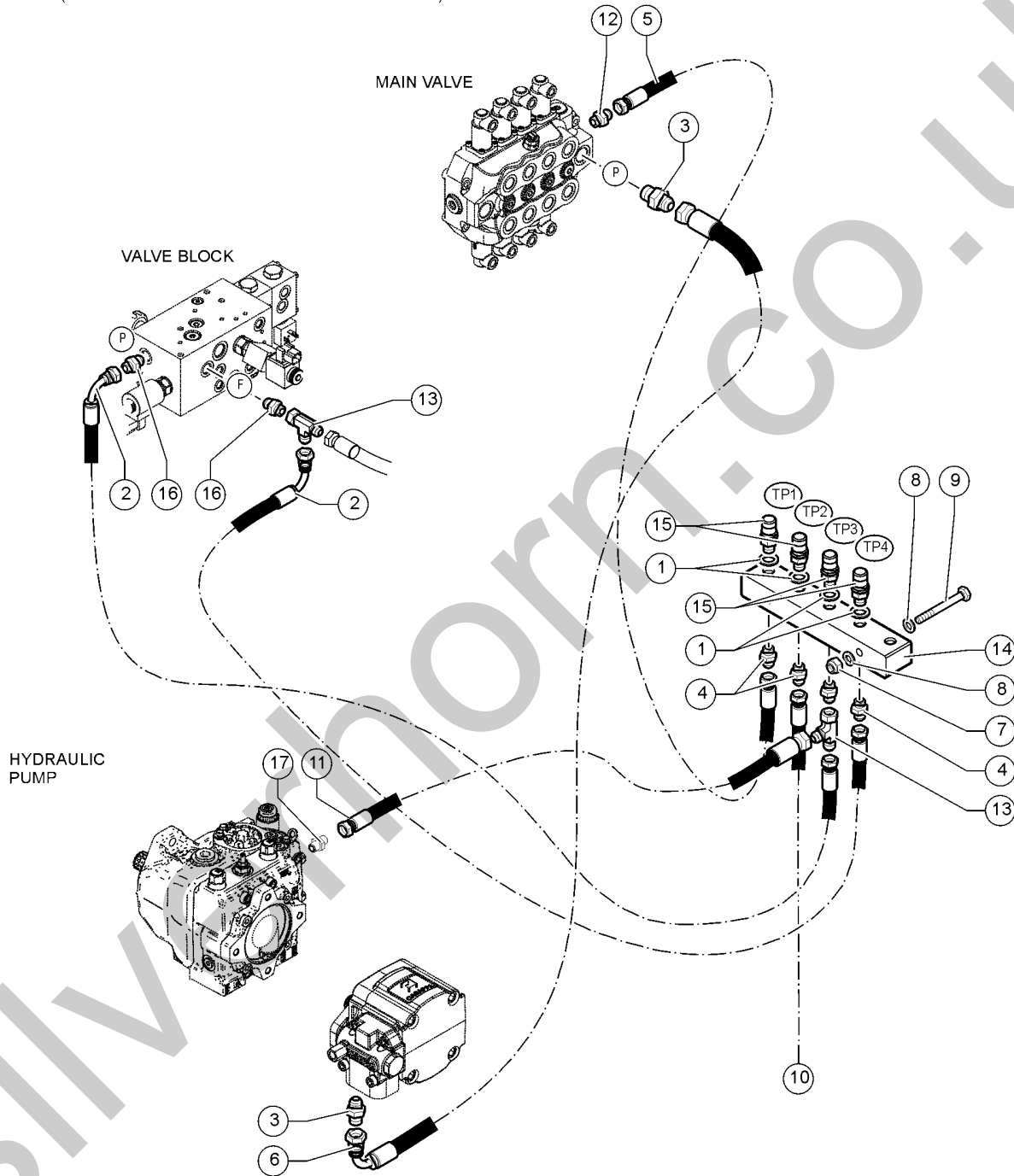


607.1 Test Port (to SN GTH55M-15671, Excluded GTH55M-15503, 15549, 15659)

Item	Part No.	Description	Qty.
1	54.0100.0093GT	FLAT WASHER D.16 1/4-19 BSPP GAS CIL 50100 .....	4
2	1292233-5119GT	ASSY, HOSE, HYD, -4, 3260, STR, 90 .....	2
3	04.0607.0107GT	PIPE FITTING 3/4"BSP X1"3/16-12 ORFS .....	4
4	04.0607.0153GT	PIPE FITTING 14X1.5X9/16-18 ORFS .....	4
5	1292237-1851GT	ASSY, HOSE, HYD, -4, 5800, STR, STR .....	1
6	1292321-3346GT	ASSY, HOSE, HYD, -12, 5000, 90, STR .....	1
7	01.0023.0054GT	NUT,M8 UNI 7473 6S ZN .....	2
8	01.0031.0055GT	FLAT WASHER D8 UNI 6592 ZN .....	4
9	01.0001.0207GT	SCREW M8X60 UNI 5737 8.8 ZN .....	2
10		Ref. Transmission .....	
		Ref. 608.1 .....	
11	1292241-4134GT	ASSY, HOSE, HYD, -4, 3260, STR, STR .....	1
12	04.0607.0852GT	Pipe Fitting 3/4" M 9/16"-18 ORFS .....	1
13	04.0607.0115GT	PIPE FITTING TMF+L 9/16-18 ORFS .....	2
14	53.3001.6753GT	BULKHEAD,TESTPORTS .....	1
15	04.4210.0016GT	PRESSURE PLUG M14X1.5 .....	4
16	04.0607.0114GT	PIPE FITTING 3/8 BSPX9/16-18 ORFS .....	2
17	48912GT	CONN,520120-4-6*** .....	1

607.2 Test Port Transmission Type D (from SN GTH55M-15672)

NOTE:(SEE SERIAL LABEL FOR TRANSMISSION TYPE)



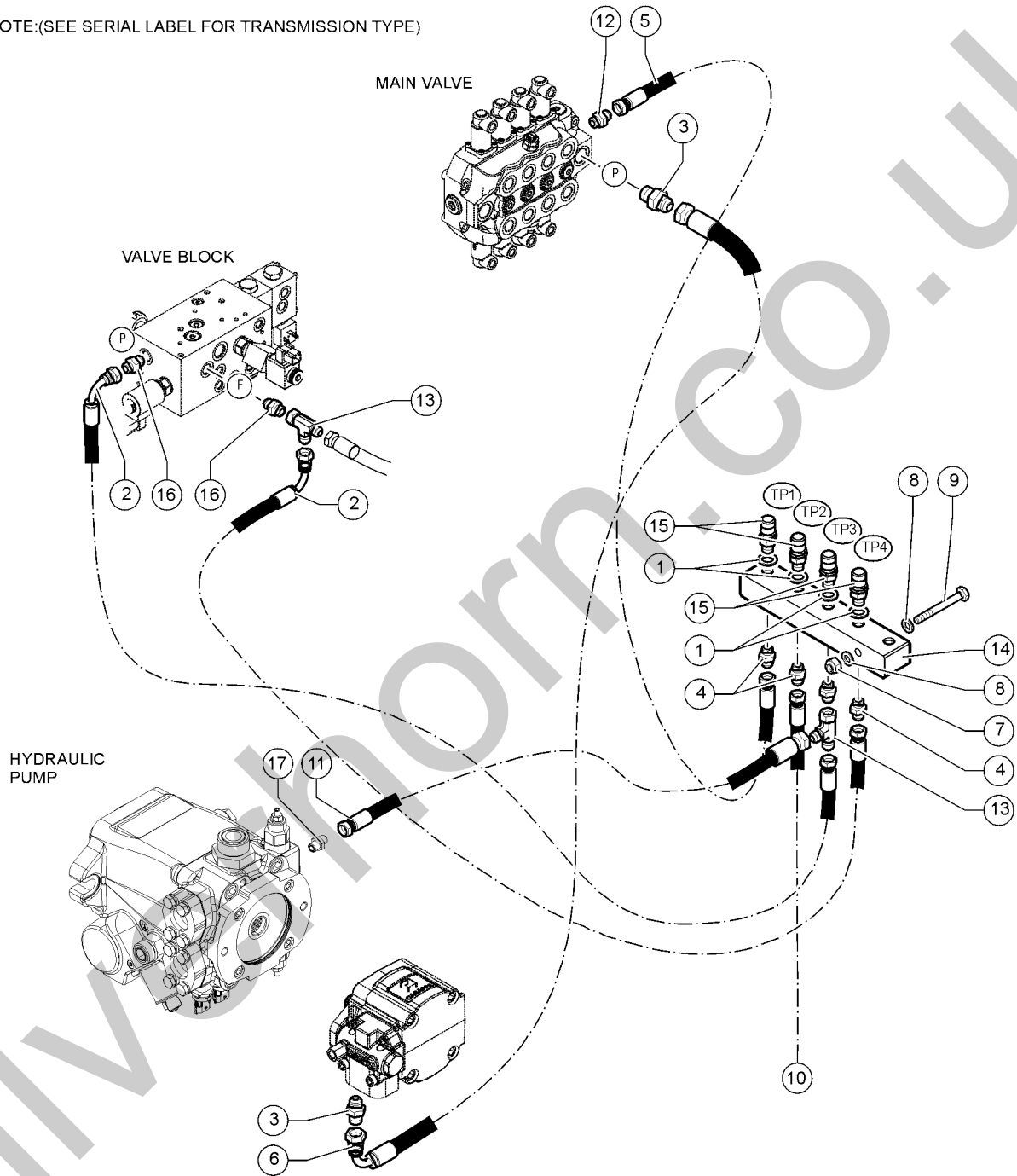


## 607.2 Test Port Transmission Type D (from SN GTH55M-15672)

Item	Part No.	Description	Qty.
1	54.0100.0093GT	FLAT WASHER D.16 1/4-19 BSPP GAS CIL 50100 .....	4
2	1292233-5119GT	ASSY, HOSE, HYD, -4, 3260, STR, 90 .....	2
3	04.0607.0107GT	PIPE FITTING 3/4"BSP X1"3/16-12 ORFS .....	4
4	04.0607.0153GT	PIPE FITTING 14X1.5X9/16-18 ORFS .....	4
5	1292237-1851GT	ASSY, HOSE, HYD, -4, 5800, STR, STR .....	1
6A	1292321-3346GT	ASSY, HOSE, HYD, -12, 5000, 90, STR for Deutz Tier4F engine .....	1
6B	1292321-3741GT	ASSY, HOSE, HYD, -12, 5000, 90, STR for Deutz Tier4i 3A engine .....	1
7	01.0023.0054GT	NUT,M8 UNI 7473 6S ZN .....	2
8	01.0031.0055GT	FLAT WASHER D8 UNI 6592 ZN .....	4
9	01.0001.0207GT	SCREW M8X60 UNI 5737 8.8 ZN .....	2
10		Ref. Transmission .....	
		Ref. 608.1 .....	
11	1292241-4134GT	ASSY, HOSE, HYD, -4, 3260, STR, STR .....	1
12	04.0607.0852GT	Pipe Fitting 3/4" M 9/16"-18 ORFS .....	1
13	04.0607.0115GT	PIPE FITTING TMF+L 9/16-18 ORFS .....	2
14	53.3001.6753GT	BULKHEAD,TESTPORTS .....	1
15	04.4210.0016GT	PRESSURE PLUG M14X1.5 .....	4
16	04.0607.0114GT	PIPE FITTING 3/8 BSPX9/16-18 ORFS .....	2
17	48912GT	CONN,520120-4-6*** .....	1

607.3 Test Port Transmission Type B (from SN GTH55M-15672, Included GTH55M-15503, 15549, 15659)

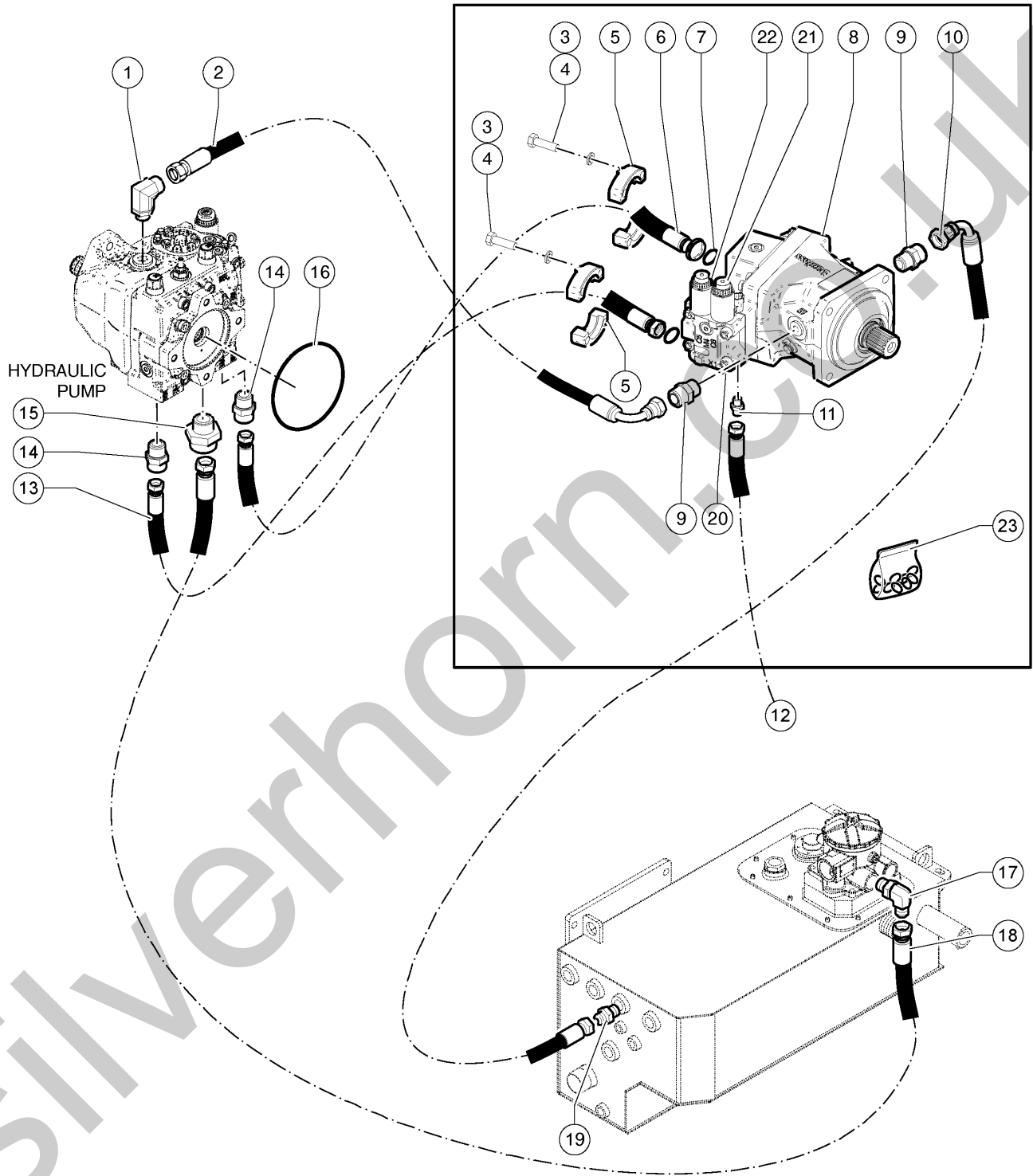
NOTE:(SEE SERIAL LABEL FOR TRANSMISSION TYPE)



## 607.3 Test Port Transmission Type B (from SN GTH55M-15672, Included GTH55M-15503, 15549, 15659)

Item	Part No.	Description	Qty.
1	54.0100.0093GT	FLAT WASHER D.16 1/4-19 BSPP GAS CIL 50100 .....	4
2	1292233-5119GT	ASSY, HOSE, HYD, -4, 3260, STR, 90 .....	2
3	04.0607.0107GT	PIPE FITTING 3/4"BSP X1"3/16-12 ORFS .....	4
4	04.0607.0153GT	PIPE FITTING 14X1.5X9/16-18 ORFS .....	4
5	1292237-1851GT	ASSY, HOSE, HYD, -4, 5800, STR, STR .....	1
6A	1292321-3346GT	ASSY, HOSE, HYD, -12, 5000, 90, STR for Deutz Tier4F engine .....	1
6B	1292321-3741GT	ASSY, HOSE, HYD, -12, 5000, 90, STR for Deutz Tier4i 3A engine .....	1
7	01.0023.0054GT	NUT,M8 UNI 7473 6S ZN .....	2
8	01.0031.0055GT	FLAT WASHER D8 UNI 6592 ZN .....	4
9	01.0001.0207GT	SCREW M8X60 UNI 5737 8.8 ZN .....	2
10		Ref. Transmission .....	
		Ref. 608.1 .....	
11	49164-6700GT	ASSY, HOSE, HYD, -4, 3250, STR, 90 .....	1
12	04.0607.0852GT	Pipe Fitting 3/4" M 9/16"-18 ORFS .....	1
13	04.0607.0115GT	PIPE FITTING TMF+L 9/16-18 ORFS .....	2
14	53.3001.6753GT	BULKHEAD,TESTPORTS .....	1
15	04.4210.0016GT	PRESSURE PLUG M14X1.5 .....	4
16	04.0607.0114GT	PIPE FITTING 3/8 BSPX9/16-18 ORFS .....	2
17	1318420GT	CONNECTOR, STRAIGHT, ORFS SAE 08 - ISO6149 M18X1.5 .....	1

608.1 Transmission (to SN GTH55M-15671, Excluded GTH55M-15503, 15549, 15659)

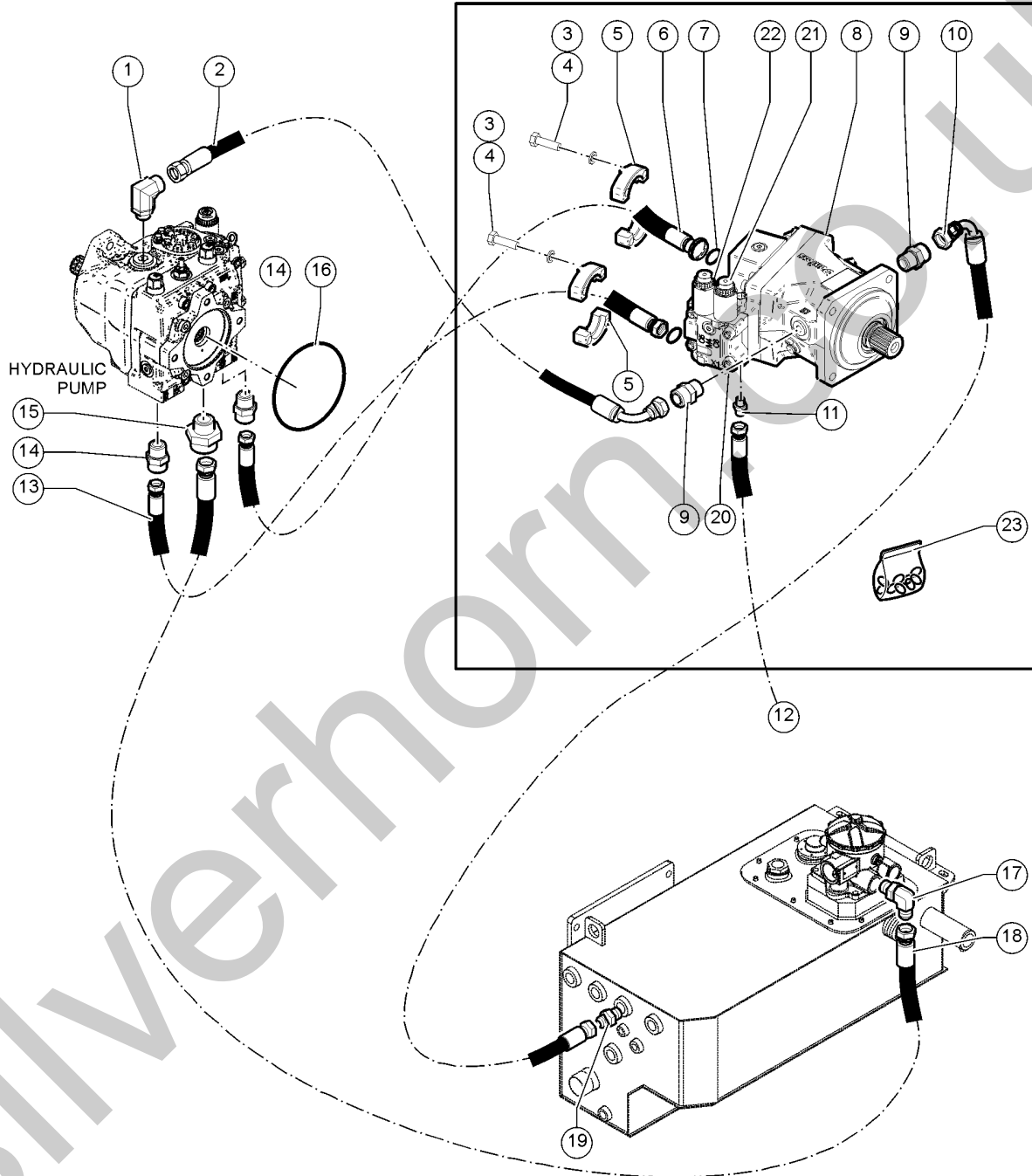


608.1 Transmission (to SN GTH55M-15671, Excluded GTH55M-15503, 15549, 15659)

Item	Part No.	Description	Qty.
1	04.0607.0871GT	FITTING 90° 1"1/16-12 UNF X M 1" 3/16-12 .....	1
2	1298864-3346GT	ASSY, HOSE, HYD, -12, 1520, STR, 90 .....	1
3	01.0001.0401GT	SCREW,TE,M12X40 UNI 8.8 ZN .....	8
4	01.4032.0005GT	SPRING WASHER D12 ZN .....	8
5	04.4223.0003GT	HALF FLANGE D47 .....	4
6	1294517-2756GT	ASSY, HOSE, HYD, -12, 6000, STR, 90 .....	1
7	06.0401.0219GT	O-RING .....	2
8	04.4235.0069GT	HYDRAULIC MOTOR .....	1
9	04.0607.0158GT	Pipe Fitting 7/8-14 UNFX 1"3/16-12 ORFS .....	2
10	1292232-3544GT	ASSY, HOSE, HYD, -12, 1520, STR, 90 .....	1
11	48912GT	CONN,520120-4-6*** .....	1
12	1294520-4331GT	ASSY, HOSE, HYD, -4, 6500, 90, STR Ref. 607.1 .....	1
13	1294517-3189GT	ASSY, HOSE, HYD, -12, 6000, STR, 90 .....	1
14	04.0607.0870GT	NIPPLE 1" 5/16-12 UNF X 1" 3/16"-12 ORFS .....	2
15	88936GT	CONN,520120-20-16 .....	1
16	06.0401.1503GT	O-RING .....	1
17	04.0607.0793GT	FITTING,PIPE,90,1" BSP .....	1
18	1291908-6496GT	ASSY, HOSE, HYD, -20, 200, 90, STR .....	1
19	04.0607.0107GT	PIPE FITTING 3/4"BSP X1"3/16-12 ORFS .....	1
20	1300192GT	PCOR VALVE .....	1
21	1300190GT	SOLENOID VALVE, 12 VOLT .....	1
22	1300191GT	SOLENOID KIT .....	1
23	1300193GT	SEAL KIT .....	1

608.2 Transmission Type D (See Serial Label for transmission Type) (from SN GTH55M-15672)

NOTE:(SEE SERIAL LABEL FOR TRANSMISSION TYPE)

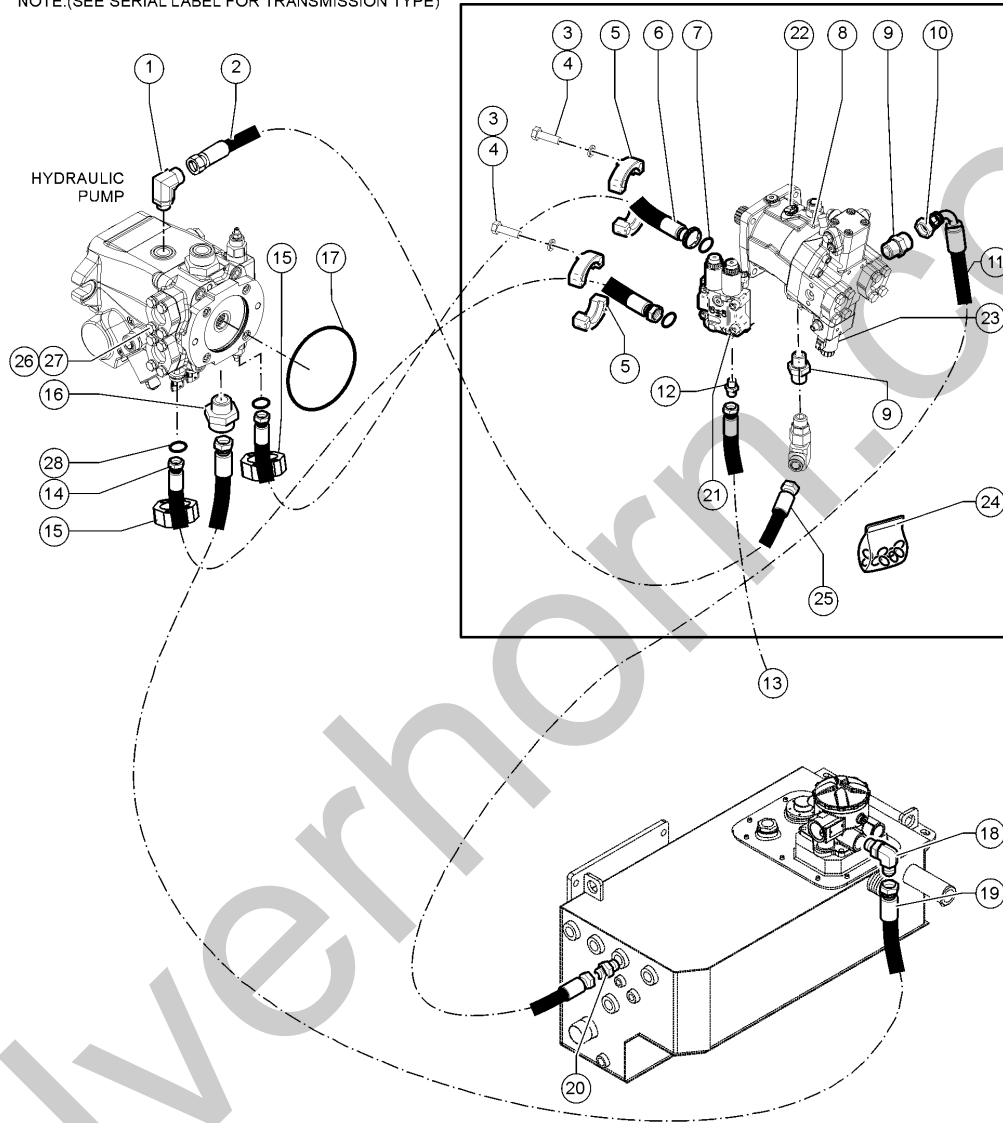


## 608.2 Transmission Type D (See Serial Label for transmission Type) (from SN GTH55M-15672)

Item	Part No.	Description	Qty.
1	04.0607.0871GT	FITTING 90° 1"1/16-12 UNF X M 1" 3/16-12 .....	1
2A	1292248-3346GT	ASSY, HOSE, HYD, -12, 1520, STR, STR for Deutz Tier4F engine .....	1
2B	1292248-3937GT	ASSY, HOSE, HYD, -12, 1520, STR, STR for Deutz Tier4I 3A engine .....	1
3	01.0001.0401GT	SCREW,TE,M12X40 UNI 8.8 ZN .....	8
4	01.4032.0005GT	SPRING WASHER D12 ZN .....	8
5	04.4223.0003GT	HALF FLANGE D47 .....	4
6	1294517-2756GT	ASSY, HOSE, HYD, -12, 6000, STR, 90 .....	1
7	06.0401.0219GT	O-RING .....	2
8	04.4235.0069GT	HYDRAULIC MOTOR .....	1
9	04.0607.0158GT	Pipe Fitting 7/8-14 UNFX 1"3/16-12 ORFS .....	2
10	1292232-3544GT	ASSY, HOSE, HYD, -12, 1520, STR, 90 .....	1
11	48912GT	CONN,520120-4-6*** .....	1
12	1294520-4331GT	ASSY, HOSE, HYD, -4, 6500, 90, STR Ref. 607.1 .....	1
13	1294517-3189GT	ASSY, HOSE, HYD, -12, 6000, STR, 90 .....	1
14	04.0607.0870GT	NIPPLE 1" 5/16-12 UNF X 1" 3/16"-12 ORFS .....	2
15	88936GT	CONN,520120-20-16 .....	1
16	06.0401.1503GT	O-RING .....	1
17	04.0607.0793GT	FITTING,PIPE,90,1" BSP .....	1
18A	1291908-6496GT	ASSY, HOSE, HYD, -20, 200, 90, STR .....	1
18B	1291908-6890GT	ASSY, HOSE, HYD, -20, 200, 90, STR for Deutz Tier4F engine for Deutz Tier4I 3A engine .....	1
19	04.0607.0107GT	PIPE FITTING 3/4"BSP X1"3/16-12 ORFS .....	1
20	1300192GT	PCOR VALVE .....	1
21	1300190GT	SOLENOID VALVE, 12 VOLT .....	1
22	1300191GT	SOLENOID KIT .....	1
23	1300193GT	SEAL KIT .....	1

608.3 Transmission Type B (from SN GTH55M-15672, Included GTH55M-15503, 15549, 15659)

NOTE:(SEE SERIAL LABEL FOR TRANSMISSION TYPE)



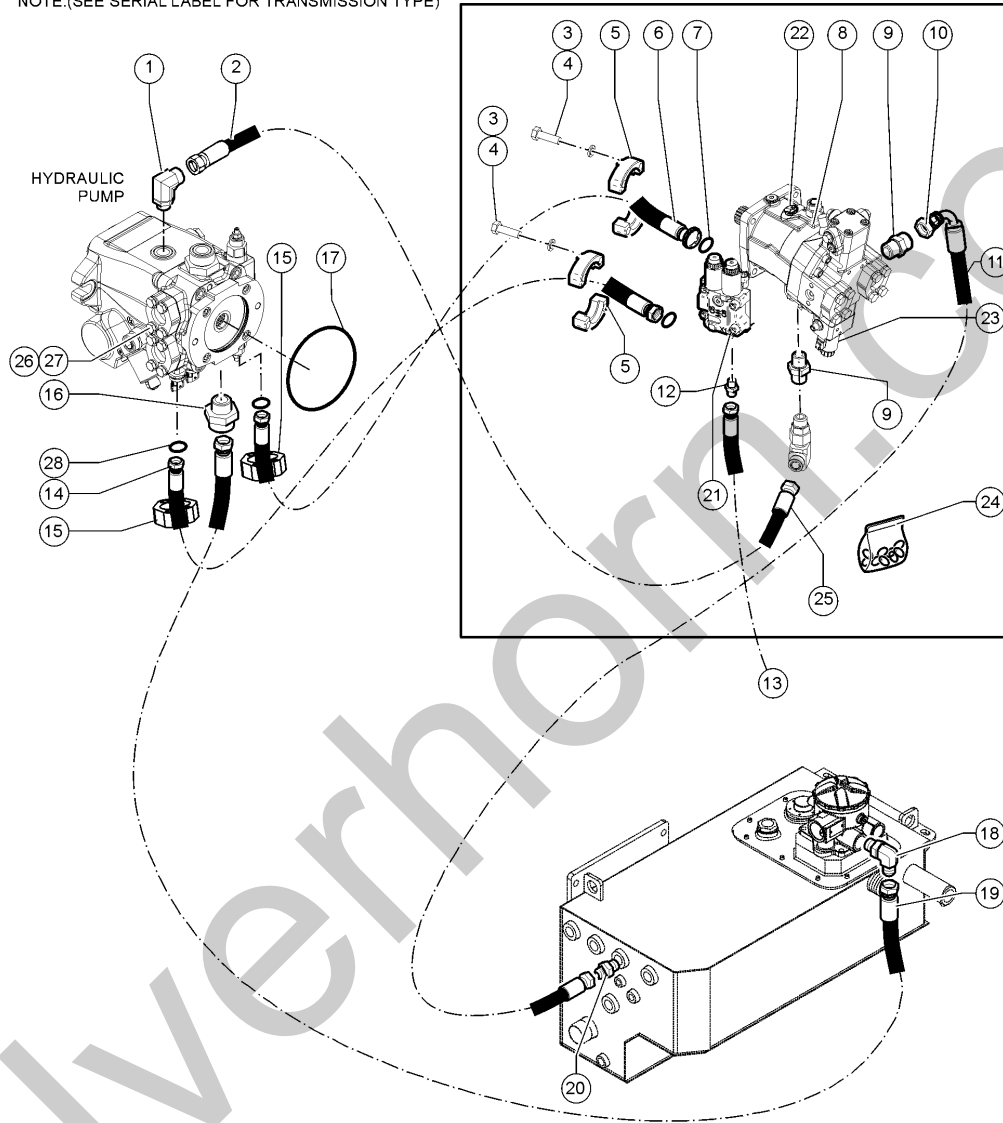


## 608.3 Transmission Type B (from SN GTH55M-15672, Included GTH55M-15503, 15549, 15659)

Item	Part No.	Description	Qty.
1	04.0607.0865GT	PIPE FITTING M22x1,5 ISO 6149-2 X M 1 3/16"-12 ORFS .....	1
2A	1292248-3346GT	ASSY, HOSE, HYD, -12, 1520, STR, STR for Deutz Tier4F engine .....	1
2B	1292248-3937GT	ASSY, HOSE, HYD, -12, 1520, STR, STR for Deutz Tier4I 3A engine .....	1
3	01.4001.0020GT	SCREW TE M12X45 UNI 5737 .....	8
4	01.4032.0005GT	SPRING WASHER D12 ZN .....	8
5	04.4223.0018GT	HALF FLANGE .....	4
6	1292035-3032GT	ASSY, HOSE, HYD, -12, 7250, 45, STR .....	1
7	06.0401.1514GT	O-RING SAE FLANGES 1" SUPERCAT 9000 PSI .....	2
8	1318956GT	MOTOR, TRANSMISSION, FRONT AXLE .....	1
9	04.0607.0865GT	PIPE FITTING M22x1,5 ISO 6149-2 X M 1 3/16"-12 ORFS .....	1
10	04.0607.0842GT	NIPPLE M27x2 ISO 6149-2 X M 1 3/16"-12 ORFS .....	1
11	1292232-3544GT	ASSY, HOSE, HYD, -12, 1520, STR, 90 .....	1
12	04.0607.0813GT	PIPE FITTING, M14X1.5X9/16 ORFS .....	1
13	1292318-4133GT	ASSY, HOSE, HYD, -4, 6500, 90, STR .....	1
14	1292035-3032GT	ASSY, HOSE, HYD, -12, 7250, 45, STR .....	1
15	04.4223.0017GT	HALF FLANGE .....	4
16	04.0607.0143GT	PIPE FITTING M33X2 X1"11/16-12 .....	1
17	06.0401.1503GT	O-RING .....	1
18	04.0607.0793GT	FITTING,PIPE,90,1" BSP .....	1
19A	1291908-6496GT	ASSY, HOSE, HYD, -20, 200, 90, STR for Deutz Tier4F engine .....	1
19B	1291908-6890GT	ASSY, HOSE, HYD, -20, 200, 90, STR for Deutz Tier4I 3A engine .....	1
20	04.0607.0107GT	PIPE FITTING 3/4"BSP X1"3/16-12 ORFS .....	1
21	1300192GT	PCOR VALVE .....	1
22	1318427GT	ROTATIONAL SPEED SENSOR .....	1
23	1318428GT	PROPORTIONAL SOLENOID .....	1
24	1318421GT	MOTOR SEAL KIT .....	1
25	04.0607.0864GT	PIPE FITTING .....	1
26	01.4001.0180GT	SCREW,TE,M10X35,UNI 5737,10.9,ZN .....	8

608.3 Transmission Type B (from SN GTH55M-15672, Included GTH55M-15503, 15549, 15659)

NOTE:(SEE SERIAL LABEL FOR TRANSMISSION TYPE)



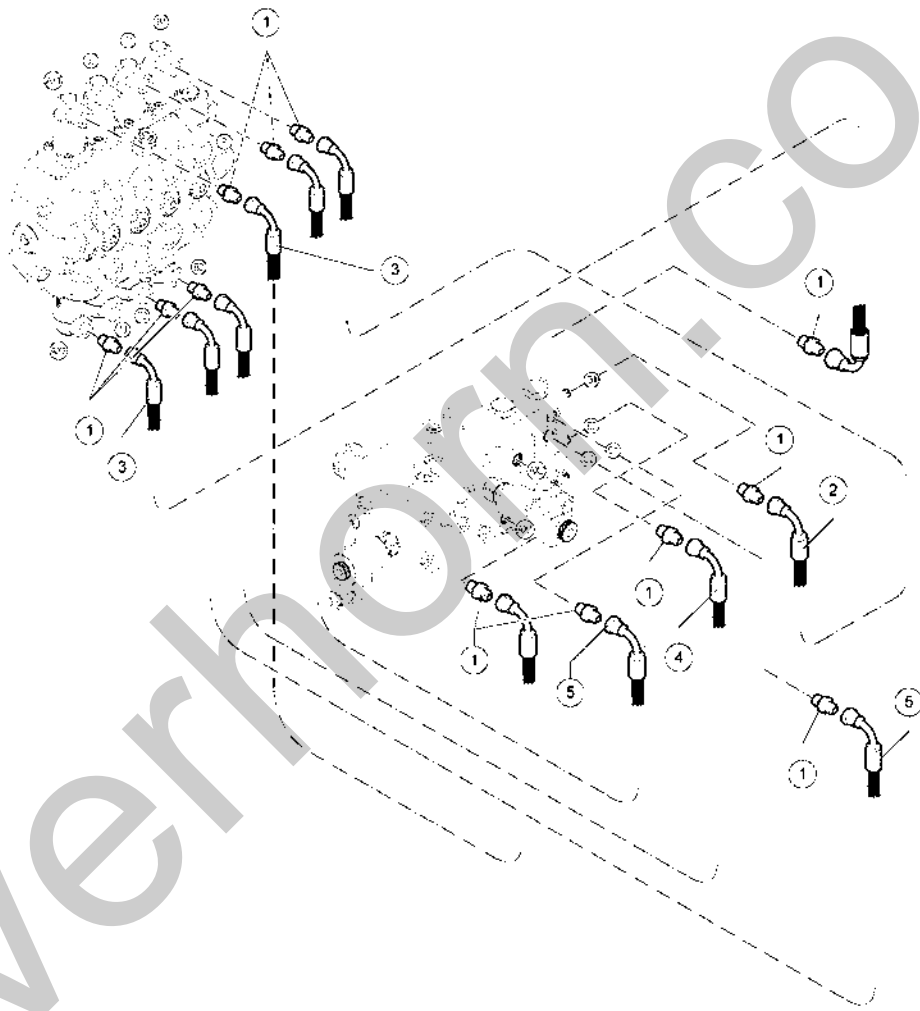
608.3 Transmission Type B (from SN GTH55M-15672, Included GTH55M-15503, 15549, 15659)

<i>Item</i>	<i>Part No.</i>	<i>Description</i>	<i>Qty.</i>
27	01.4032.0004GT	WASHER,LOCK,M10,DIN127 .....	8
28	06.0401.1513GT	O-RING SAE FLANGES 3/4" SUPERCAT 9000 PSI .....	2

Silverhorn.CO.UK



609.1 Hydraulic Piloting Line Main Valve

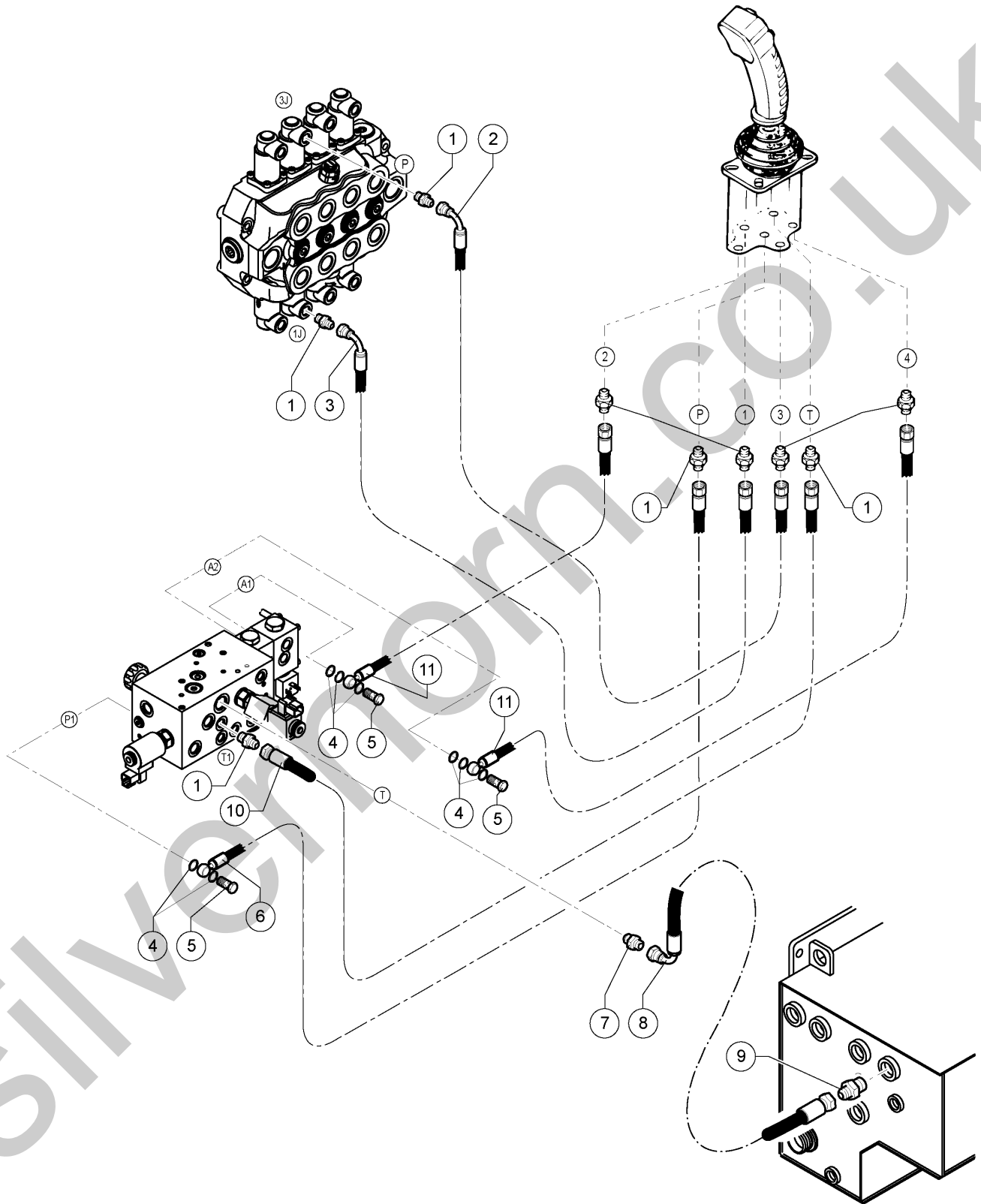


609.1 Hydraulic Piloting Line Main Valve

Item	Part No.	Description	Qty.
1	04.0607.0113GT	PIPE FITTING 1/4 BSPX9/16-18 ORFS .....	12
2	1292728-3938GT	ASSY, HOSE, HYD, -4, 3260, 90, 90,@90° .....	1
3	1292233-2756GT	ASSY, HOSE, HYD, -4, 3260, STR, 90 .....	2
4	1292728-4331GT	ASSY, HOSE, HYD, -4, 3260, 90, 90,@90° .....	1
5	1292233-3544GT	ASSY, HOSE, HYD, -4, 3260, STR, 90 .....	2

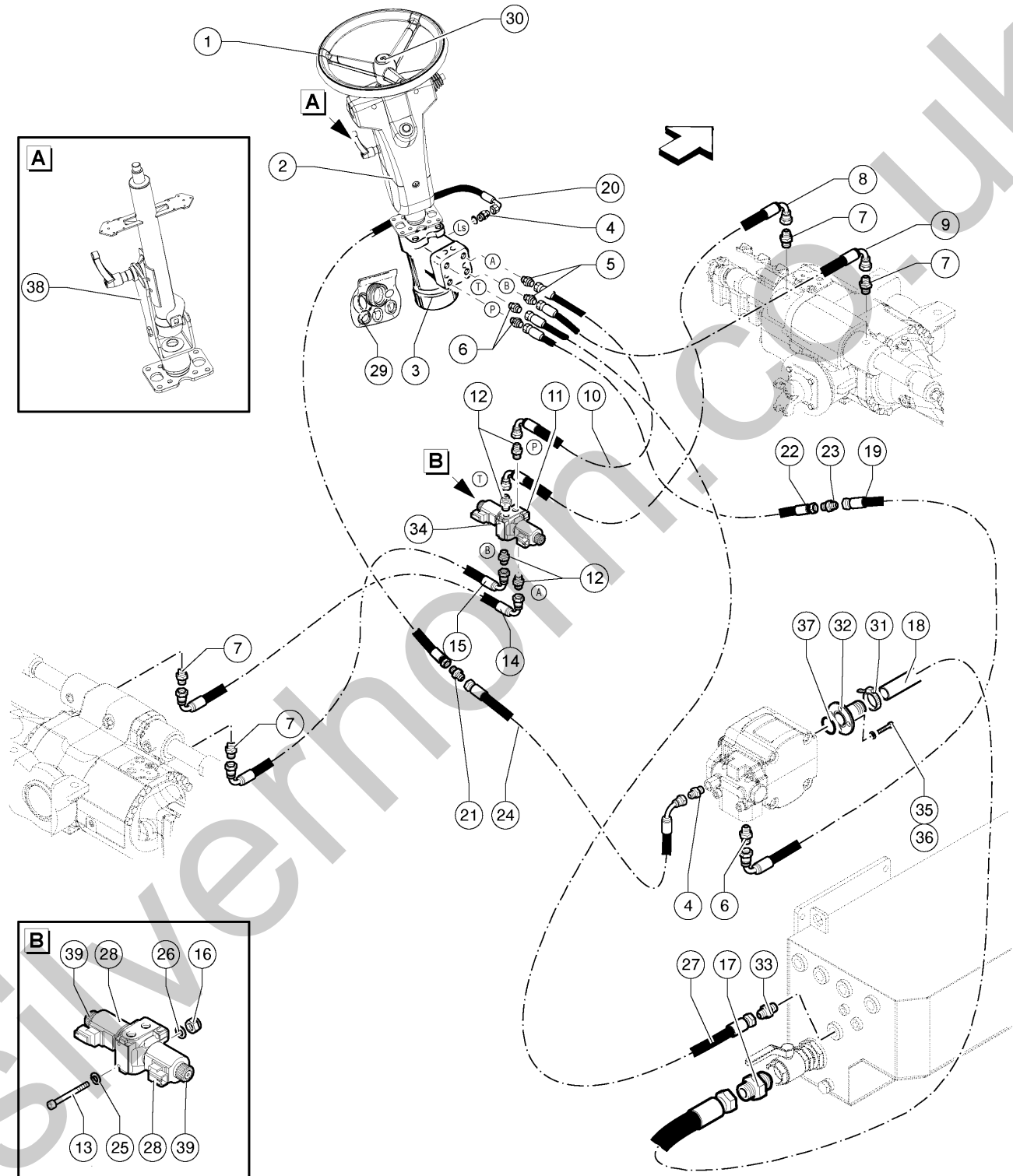
Silverhorn.CO.UK

610.1 Joystick



<i>Item</i>	<i>Part No.</i>	<i>Description</i>	<i>Qty.</i>
1	04.0607.0113GT	PIPE FITTING 1/4 BSPX9/16-18 ORFS .....	9
2	1292233-1575GT	ASSY, HOSE, HYD, -4, 3260, STR, 90 .....	1
3	1292233-3544GT	ASSY, HOSE, HYD, -4, 3260, STR, 90 .....	1
4	06.0442.0101GT	BONDED RING 3/8" .....	6
5	05.0401.0016GT	SCREW, 1/4 BSP .....	3
6	1292242-1772GT	ASSY, HOSE, HYD, -4, 3260, STR, BANJO .....	1
7	04.0607.0110GT	PIPE FITTING 1/2BSP x 11/16-16 ORFS .....	1
8	1292240-2560GT	ASSY, HOSE, HYD, -6, 2610, STR, 90 .....	1
9	04.0607.0139GT	PIPE FITTING 3/4BSPX11/16-16 ORFS .....	1
10	1292241-1969GT	ASSY, HOSE, HYD, -4, 3260, STR, STR .....	1
11	1292242-4331GT	ASSY, HOSE, HYD, -4, 3260, STR, BANJO .....	2

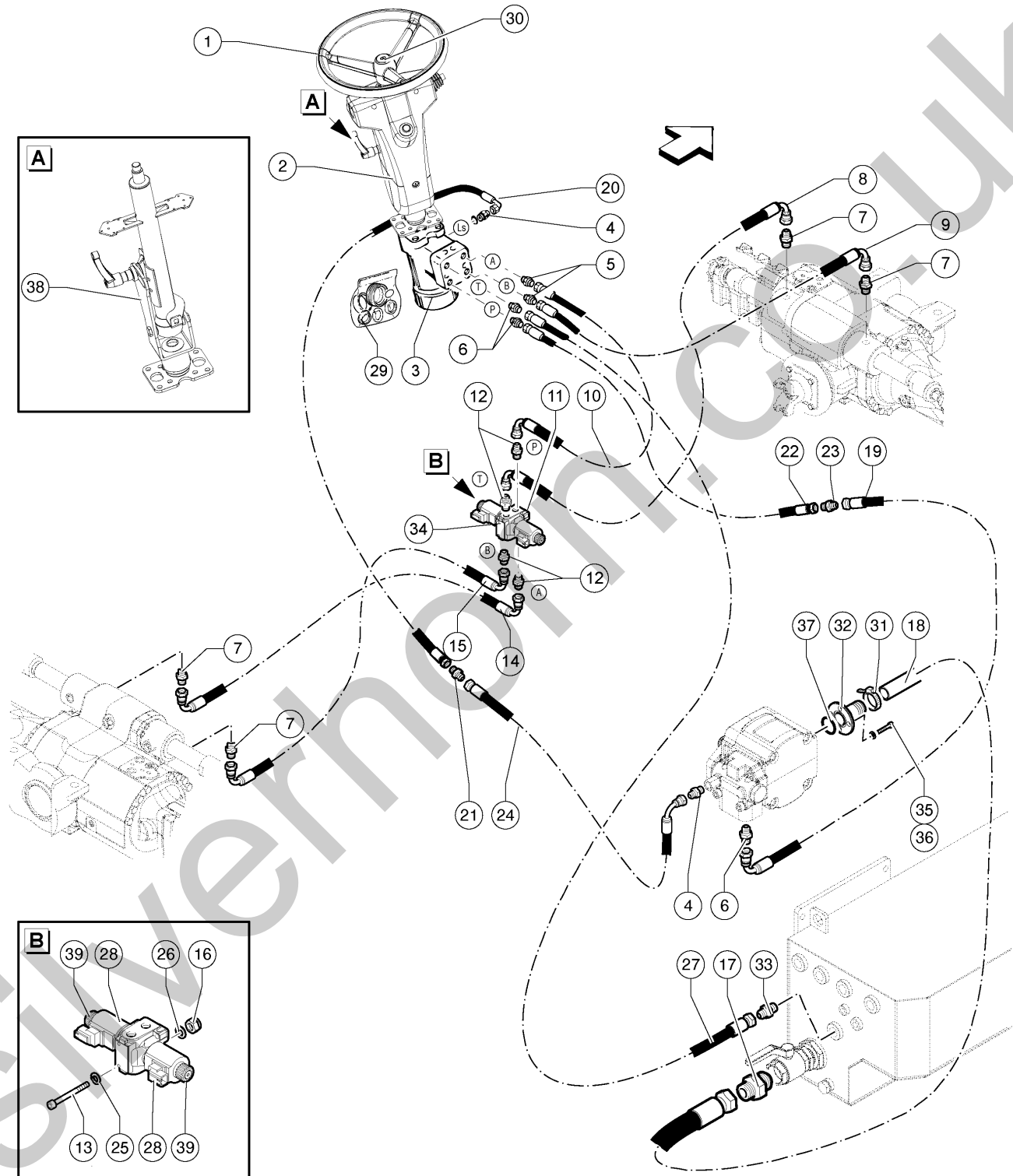
611.1 Power Steering System





Item	Part No.	Description	Qty.
1	09.4636.0040GT	Steering Wheel .....	1
2	56.0016.0208GT	Steering Column Kit .....	1
3	09.4636.0037GT	POWER STEERING .....	1
4	04.0607.0113GT	PIPE FITTING 1/4 BSPX9/16-18 ORFS .....	2
5	04.0607.0110GT	PIPE FITTING 1/2BSP x 11/16-16 ORFS .....	2
6	04.0607.0111GT	PIPE FITTING 1/2 BSPX13/16-16 ORFS .....	3
7	04.0607.0117GT	PIPE FITTING 3/8BSPX11/16-16 ORFS .....	4
8	1292236-2205GT	ASSY, HOSE, HYD, -6, 4800, 90, 90 .....	1
9	1292030-4922GT	ASSY, HOSE, HYD, -6, 4800, 45, 90,@120° .....	1
10	04.0605.0637GT	HOSE R2X3/8 1000 F45 11/16-16 F90 11/16-16 A 90 .....	1
11	04.4240.0052GT	SOLENOID VALVE .....	1
12	04.0607.0117GT	PIPE FITTING 3/8BSPX11/16-16 ORFS .....	4
13	01.0001.0106GT	SCREW M6X50 UNI 5737 8.8 ZN .....	2
14	1292236-8662GT	ASSY, HOSE, HYD, -6, 4800, 90, 90 .....	1
15	1292236-12008GT	ASSY, HOSE, HYD, -6, 4800, 90, 90 .....	1
16	01.0023.0053GT	STOP NUT M6 UNI 7473 6S ZN .....	2
17	04.0607.0178GT	Pipe Fitting 1"1/2BSP-1"11/16-12ORF .....	1
18	1292020-3071GT	ASSY, HOSE, HYD, -20, 200, STR .....	1
19	1291858-2756GT	ASSY, HOSE, HYD, -8, 4450, STR, 90 .....	1
20	1292005-2166GT	ASSY, HOSE, HYD, -4, 3250, 90, STR .....	1
21	04.0607.0236GT	Pipe Fitting 9/16 ORFS X 9/16 ORFS .....	1
22	1291988-2166GT	ASSY, HOSE, HYD, -8, 4000, STR, 45 .....	1
23	04.0607.0237GT	FITTING,13/16 ORFS .....	1
24	1292233-3741GT	ASSY, HOSE, HYD, -4, 3260, STR, 90 .....	1
25	01.0031.0298GT	FLAT WASHER D6 UNI 6593 ZN .....	2
26	01.0031.0054GT	FLAT WASHER D6 UNI 6592 ZN .....	2
27	1292010-5119GT	ASSY, HOSE, HYD, -8, 2325, 45, STR .....	1
28	07.4529.0111GT	COIL, VALVE .....	2

611.1 Power Steering System

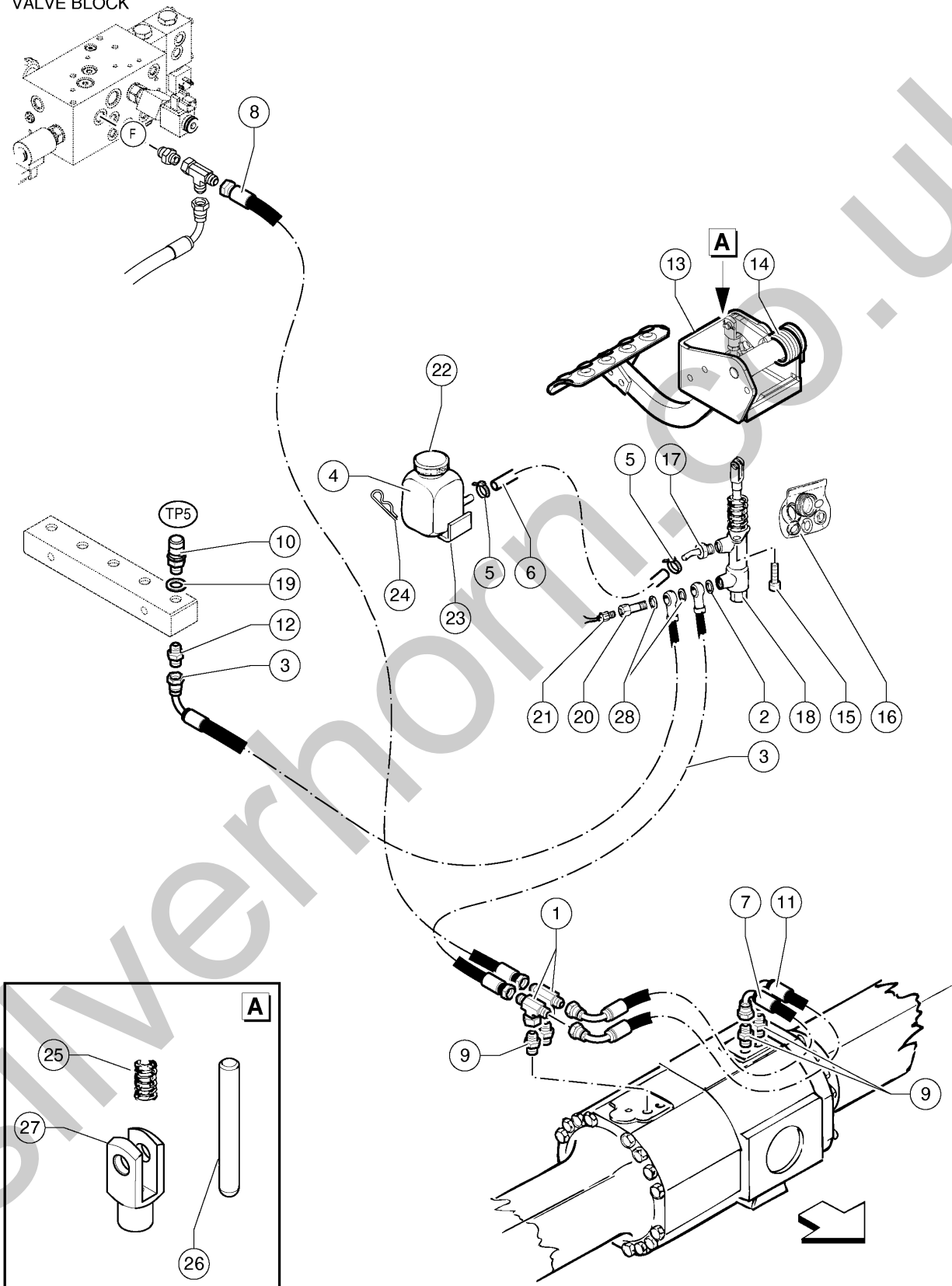


## 611.1 Power Steering System

Item	Part No.	Description	Qty.
29	07.0706.0043GT	Seal Kit .....	1
30	09.4636.0041GT	HORN .....	1
31	04.4227.0038GT	CLAMP .....	1
32	53.3001.5700GT	Manifold .....	1
33	04.0607.0121GT	PIPE FITTING 3/4 BSPX13/16-16 ORFS .....	1
34	04.4240.0052GT	SOLENOID VALVE .....	1
35	01.4032.0004GT	WASHER,LOCK,M10,DIN127 .....	4
36	01.0003.0255GT	SCREW M10X25 UNI 5931 8.8 ZN .....	4
37	06.0401.0123GT	O-RING .....	1
38	09.4636.0042GT	STEERING COLUMN .....	1
39	07.0701.0344GT	LOCKNUT .....	2

612.1 Brake System (to SN GTH55M-14915)

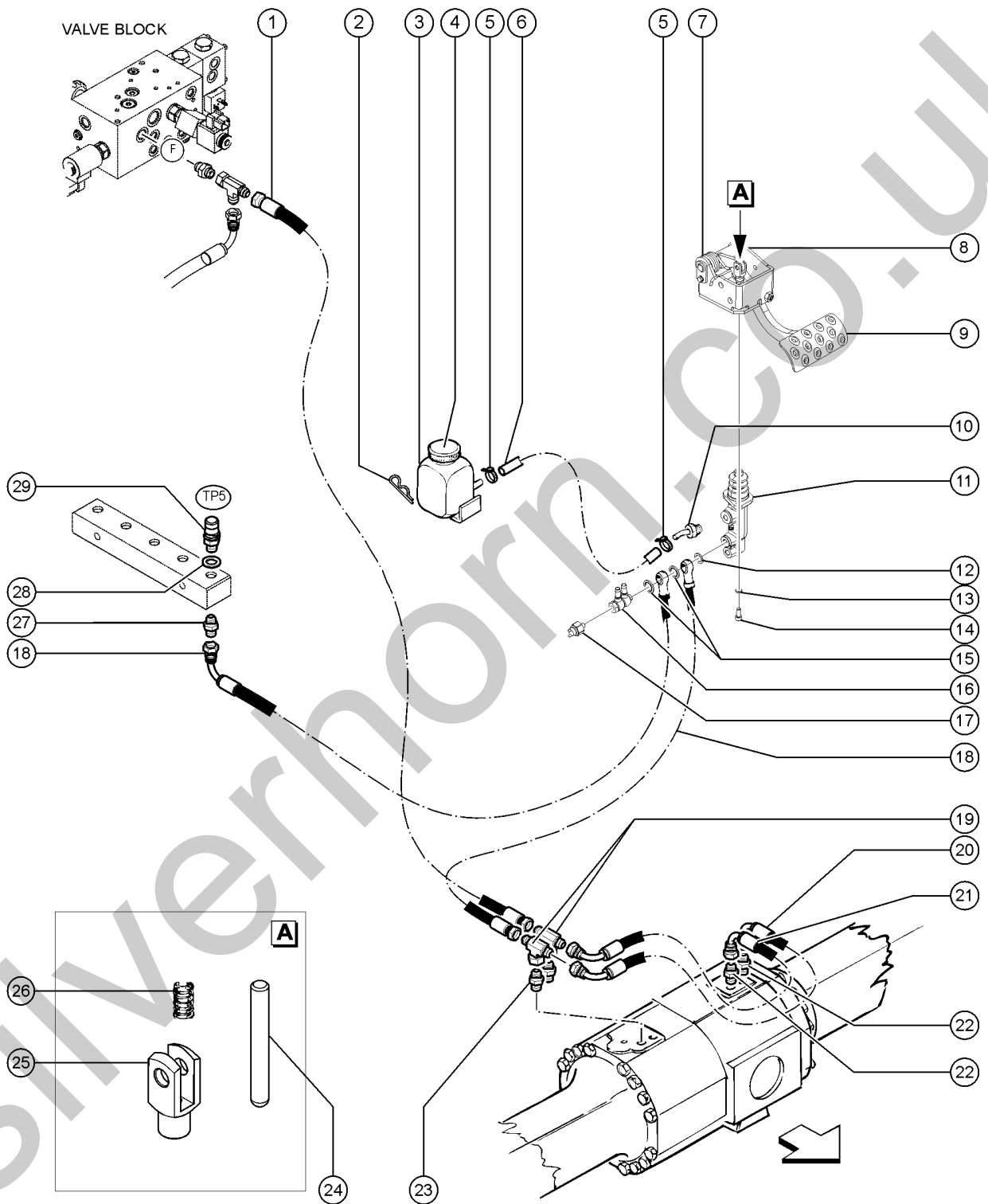
VALVE BLOCK



## 612.1 Brake System (to SN GTH55M-14915)

Item	Part No.	Description	Qty.
1	04.0607.0131GT	PIPE FITTING TMF+C 9/16-18 ORFS .....	2
2	06.0442.0054GT	WASHER .....	1
3	1292022-5906GT	ASSY, HOSE, HYD, -4, 3260, STR, BANJO .....	2
4	05.4309.0002GT	BRAKE RESERVOIR W/BRACKET .....	1
5	04.0227.0054GT	CLAMP DN 15/25 LG 9 .....	2
6	07.0723.0092GT	Rubber Hose .....	1
7	1292731GT	ASSY, HOSE, HYD, -4, 3260, 90, 90@95° Qty. 2 (11 inches) .....	11
8	1292241GT	ASSY, HOSE, HYD, -4, 3260, STR, STR Qty. 1 (63 inches) .....	63
9	04.0607.0180GT	PIPE FITTING M10X1- 9/16-18 ORFS .....	4
10	04.4210.0016GT	PRESSURE PLUG M14X1.5 .....	1
11	1292728GT	ASSY, HOSE, HYD, -4, 3260, 90, 90,@90° Qty. 1 (15 inches) .....	15
12	04.0607.0153GT	PIPE FITTING 14X1.5X9/16-18 ORFS .....	1
13	09.4656.0019GT	Complete Brake Pedal .....	1
14	07.0730.0080GT	Spring .....	1
15	01.0003.0203GT	SCREW,TCEI,M8X20 UNI 8.8 ZN .....	2
16	07.4529.0027GT	SEAL KIT .....	1
17	09.0803.0088GT	KNURLED COUPLING .....	1
18	05.4309.0001GT	Pump .....	1
19	54.0100.0093GT	FLAT WASHER D.16 1/4-19 BSPP GAS CIL 50100 .....	1
20	05.0401.0017GT	Drilled Screw M12 .....	1
21	05.4329.0003GT	Pressure Switch .....	1
22	07.0730.0083GT	PLUG .....	1
23	07.0730.0082GT	BRACKET .....	1
24	07.0730.0081GT	CLIP .....	1
25	07.0730.0084GT	RUBBER HOOD .....	1
26	07.0730.0085GT	PIN To Be Replaced Together With Position 27 .....	1
27	07.0730.0086GT	FORK To Be Replaced Together With Position 26 .....	1
28	06.0442.0119GT	BONDED RING M14 (9/16) .....	2

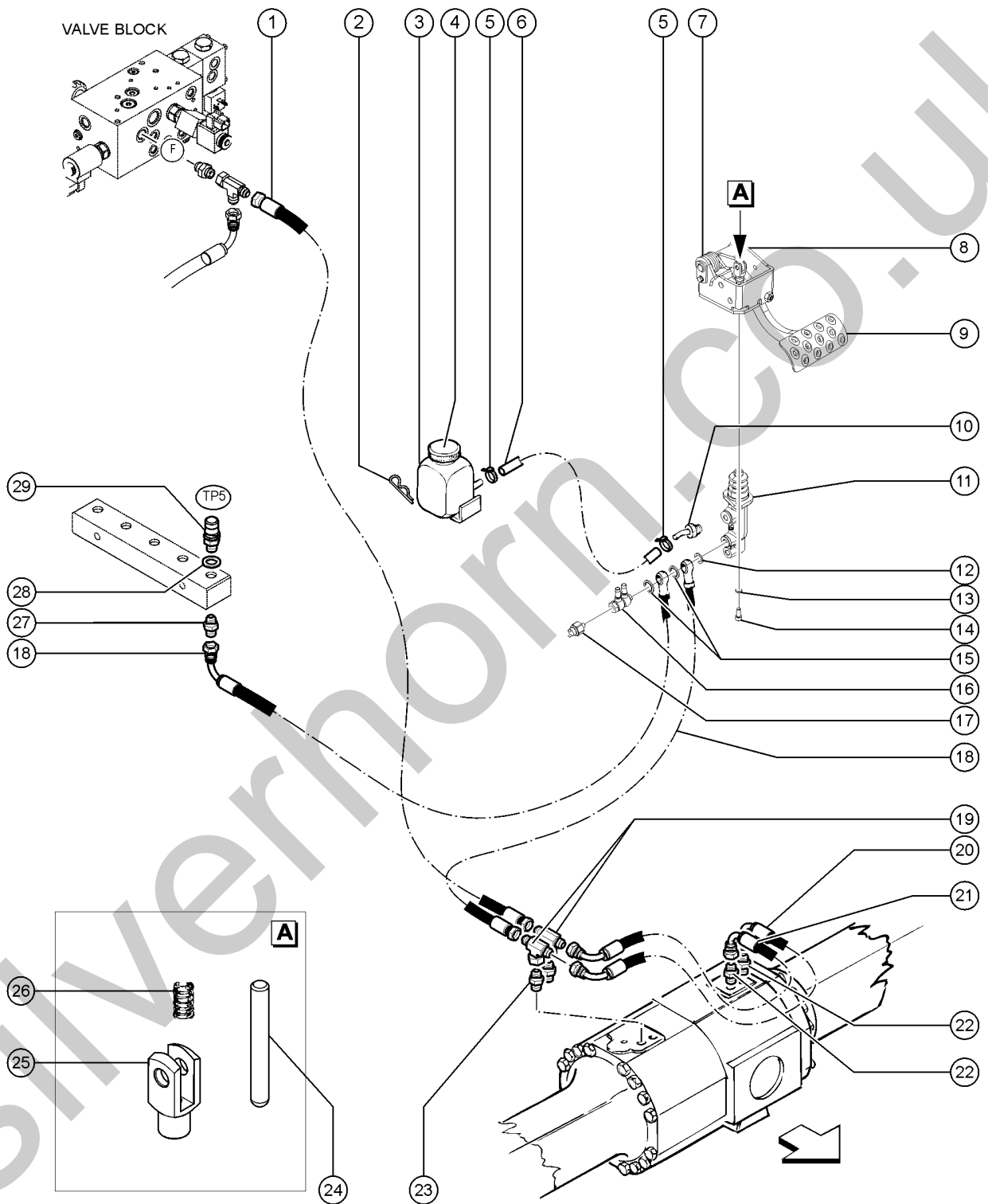
612.2 Brake System (from SN GTH55M-14916 to GTH55M-15187)



## 612.2 Brake System (from SN GTH55M-14916 to GTH55M-15187)

Item	Part No.	Description	Qty.
1	1292241GT	ASSY, HOSE, HYD, -4, 3260, STR, STR Qty. 1 (63 inches)	63
2	07.0730.0081GT	CLIP	1
3	05.4309.0002GT	BRAKE RESERVOIR W/BRACKET	1
4	07.0730.0083GT	PLUG	1
5	04.0227.0054GT	CLAMP DN 15/25 LG 9	2
6	07.0723.0092GT	Rubber Hose	1
7	07.0730.0080GT	Spring	1
8	1314441GT	ASSEMBLY, BRAKE PUMP, GTH5519 (Includes PNs 9, 11, 12, 13, 14, 15, 16, and 17)	1
9	1314443GT	ASSEMBLY, BRAKE PEDAL, GTH 5519 Cannot be ordered individually. Order (8) Kit PN 1314441GT.	1
10	09.0803.0088GT	KNURLED COUPLING	1
11	1314442GT	BRAKE PUMP, DIFF 27/20, GTH 5519 Cannot be ordered individually. Order (8) Kit PN 1314441GT.	1
12	06.0442.0054GT	WASHER Cannot be ordered individually. Order (8) Kit PN 1314441GT.	1
13	01.4032.0003GT	Spring Washer D 8 ZN Cannot be ordered individually. Order (8) Kit PN 1314441GT.	1
14	01.0003.0203GT	SCREW, TCEI, M8X20 UNI 8.8 ZN Cannot be ordered individually. Order (8) Kit PN 1314441GT.	2
15	06.0442.0119GT	BONDED RING M14 (9/16) Cannot be ordered individually. Order (8) Kit PN 1314441GT.	2
16	05.0401.0017GT	Drilled Screw M12 Cannot be ordered individually. Order (8) Kit PN 1314441GT.	1
17	05.4329.0003GT	Pressure Switch Cannot be ordered individually. Order (8) Kit PN 1314441GT.	1
18	1292022-5906GT	ASSY, HOSE, HYD, -4, 3260, STR, BANJO	2
19	04.0607.0131GT	PIPE FITTING TMF+C 9/16-18 ORFS	2
20	1292728GT	ASSY, HOSE, HYD, -4, 3260, 90, 90, @90° Qty. 1 (15 inches)	15
21	1292731GT	ASSY, HOSE, HYD, -4, 3260, 90, 90@95° Qty. 2 (11 inches)	11
22	04.0607.0180GT	PIPE FITTING M10X1- 9/16-18 ORFS	4
23	07.0730.0082GT	BRACKET	1
24	07.0730.0085GT	PIN To Be Replaced Together With Position 24	1
25	07.0730.0086GT	FORK To Be Replaced Together With Position 23	1
26	07.0730.0084GT	RUBBER HOOD	1
27	04.0607.0153GT	PIPE FITTING 14X1.5X9/16-18 ORFS	1
28	54.0100.0093GT	FLAT WASHER D.16 1/4-19 BSPP GAS CIL 50100	1

612.2 Brake System (from SN GTH55M-14916 to GTH55M-15187)





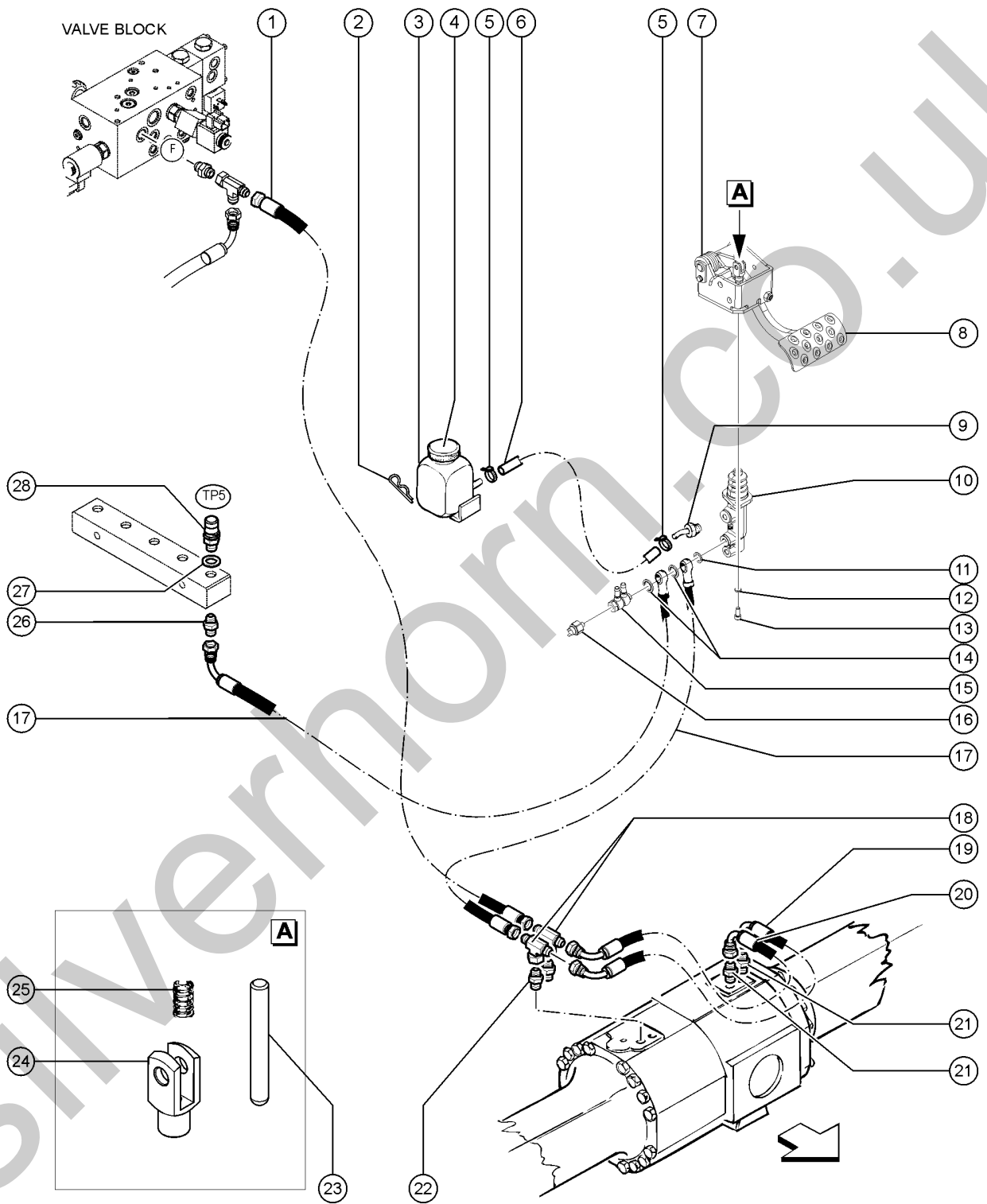
612.2 Brake System (from SN GTH55M-14916 to GTH55M-15187)

<i>Item</i>	<i>Part No.</i>	<i>Description</i>	<i>Qty.</i>
29	04.4210.0016GT	PRESSURE PLUG M14X1.5 .....	1

Silverhorn.CO.UK



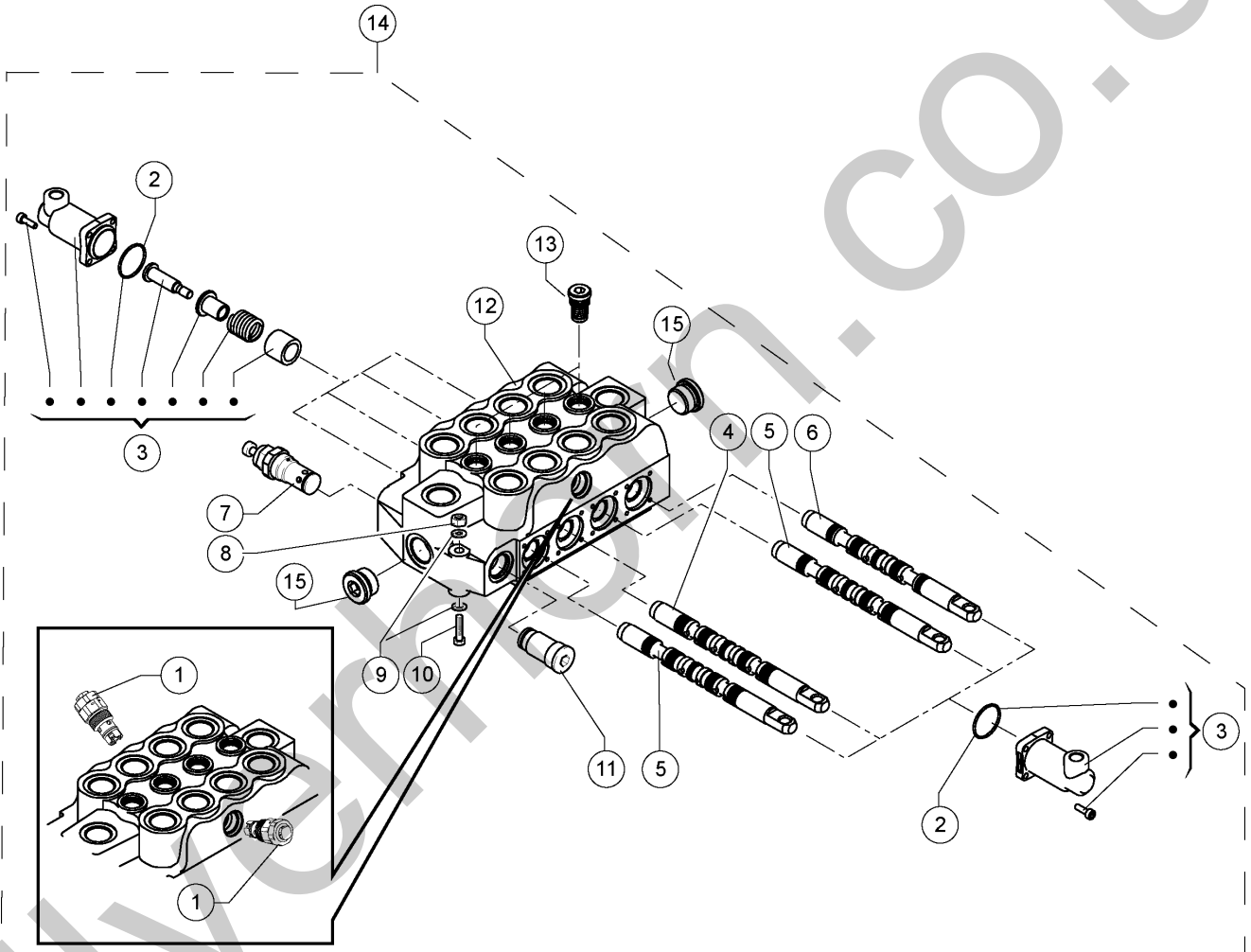
612.3 Brake System (from SN GTH55M-15188)



612.3 Brake System (from SN GTH55M-15188)

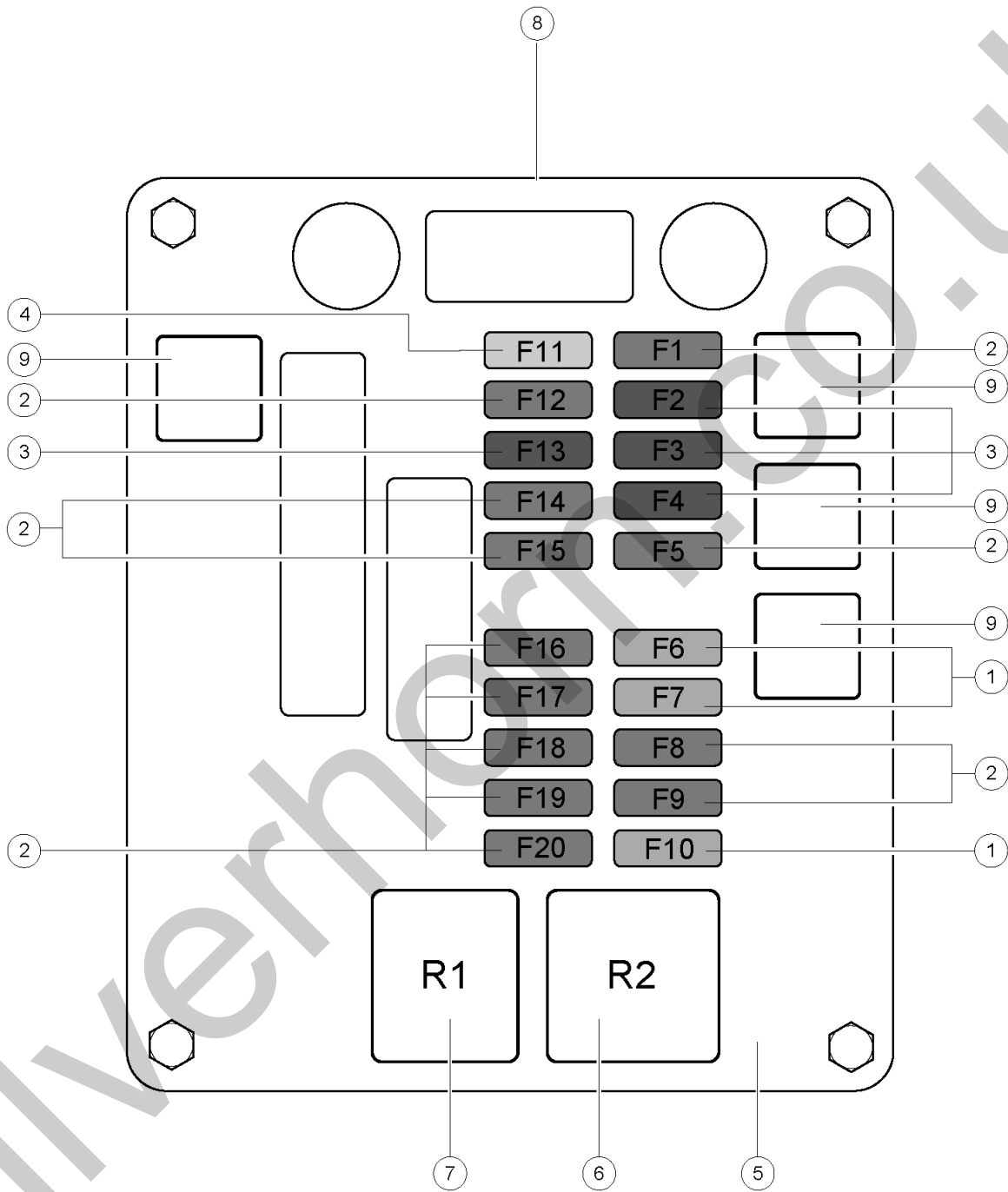
Item	Part No.	Description	Qty.
1	1292241GT	ASSY, HOSE, HYD, -4, 3260, STR, STR Qty. 1 (63 inches)	63
2	07.0730.0081GT	CLIP	1
3	05.4309.0002GT	BRAKE RESERVOIR W/BRACKET	1
4	07.0730.0083GT	PLUG	1
5	04.0227.0054GT	CLAMP DN 15/25 LG 9	2
6	07.0723.0092GT	Rubber Hose	1
7	07.0730.0080GT	Spring	1
8	1314443GT	ASSEMBLY, BRAKE PEDAL, GTH 5519	1
9	09.0803.0088GT	KNURLED COUPLING	1
10	1314442GT	BRAKE PUMP, DIFF 27/20, GTH 5519	1
11	06.0442.0054GT	WASHER	1
12	01.4032.0003GT	Spring Washer D 8 ZN	1
13	01.0003.0203GT	SCREW, TCEI, M8X20 UNI 8.8 ZN	2
14	06.0442.0119GT	BONDED RING M14 (9/16)	2
15	05.0401.0017GT	Drilled Screw M12	1
16	05.4329.0003GT	Pressure Switch	1
17	1292022-5906GT	ASSY, HOSE, HYD, -4, 3260, STR, BANJO	2
18	04.0607.0131GT	PIPE FITTING TMF+C 9/16-18 ORFS	2
19	1292728GT	ASSY, HOSE, HYD, -4, 3260, 90, 90, @90° Qty. 1 (15 inches)	15
20	1292731GT	ASSY, HOSE, HYD, -4, 3260, 90, 90@95° Qty. 2 (11 inches)	11
21	04.0607.0180GT	PIPE FITTING M10X1- 9/16-18 ORFS	4
22	07.0730.0082GT	BRACKET	1
23	07.0730.0085GT	PIN To Be Replaced Together With Position 24	1
24	07.0730.0086GT	FORK To Be Replaced Together With Position 23	1
25	07.0730.0084GT	RUBBER HOOD	1
26	04.0607.0153GT	PIPE FITTING 14X1.5X9/16-18 ORFS	1
27	54.0100.0093GT	FLAT WASHER D.16 1/4-19 BSPP GAS CIL 50100	1
28	04.4210.0016GT	PRESSURE PLUG M14X1.5	1

613.1 Main Valve



Item	Part No.	Description	Qty.
1	07.0704.0038GT	VALVE, CARTRIDGE .....	2
2	07.0704.0078GT	O-Ring .....	8
3	07.0704.0023GT	Cap Kit .....	8
4	07.0704.0033GT	Cursor .....	1
5	07.0704.0490GT	Cursor .....	2
6	07.0704.0035GT	VALVE CURSOR .....	1
7	07.0704.0042GT	Valve .....	1
8	01.0023.0054GT	NUT,M8 UNI 7473 6S ZN .....	3
9	01.0031.0055GT	FLAT WASHER D8 UNI 6592 ZN .....	6
10	01.0001.0209GT	SCREW M8X70 UNI 5737 8.8 ZN .....	3
11	07.0704.0045GT	Plug TCEI BSP 3/4 .....	1
12	07.0704.0032GT	Main Valve Body .....	1
13	07.0704.0144GT	VALVE .....	4
14	04.4236.0029GT	Control Valve .....	1
15	07.0704.0145GT	Plug .....	2

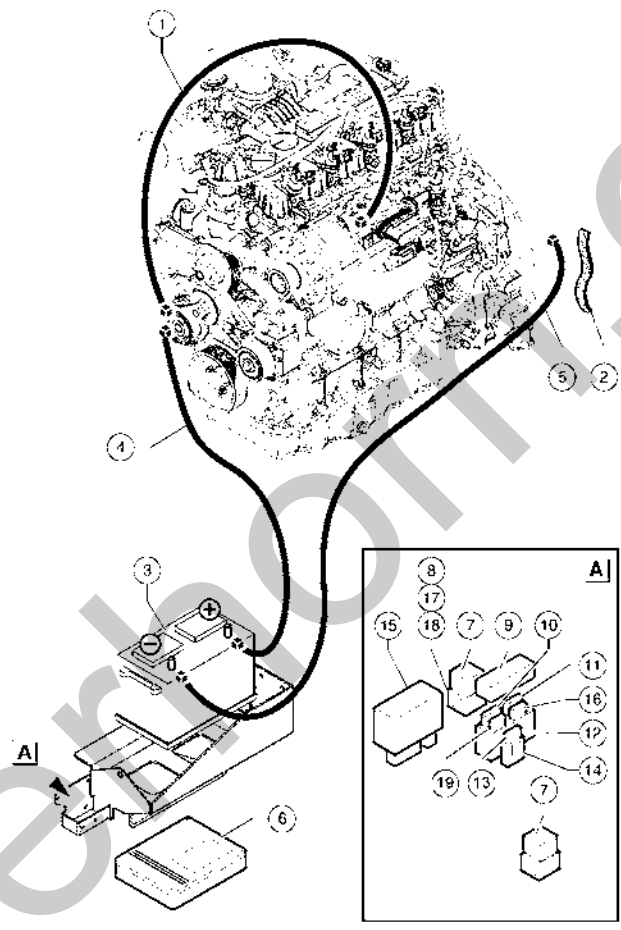
701.1 Fuse Box



## 701.1 Fuse Box

Item	Part No.	Description	Qty.
1	07.0703.0080GT	Fuse 5A .....	3
2	07.0703.0148GT	FUSE,10A .....	12
3	634973GT	Fuse 15A .....	4
4	07.0703.0071GT	FUSE 25A .....	1
5	56.0005.0008GT	FUSE HOLDER .....	1
6	56.0021.0078GT	TIMER RELAY .....	1
7	07.0703.0487GT	Intermittance Relay .....	1
8	56.0021.0187GT	RELAY FUSE BOARD GTH 5519 MDY order Timer relay and intermittance relay separately .....	1
9	07.0703.0485GT	RELAY .....	4

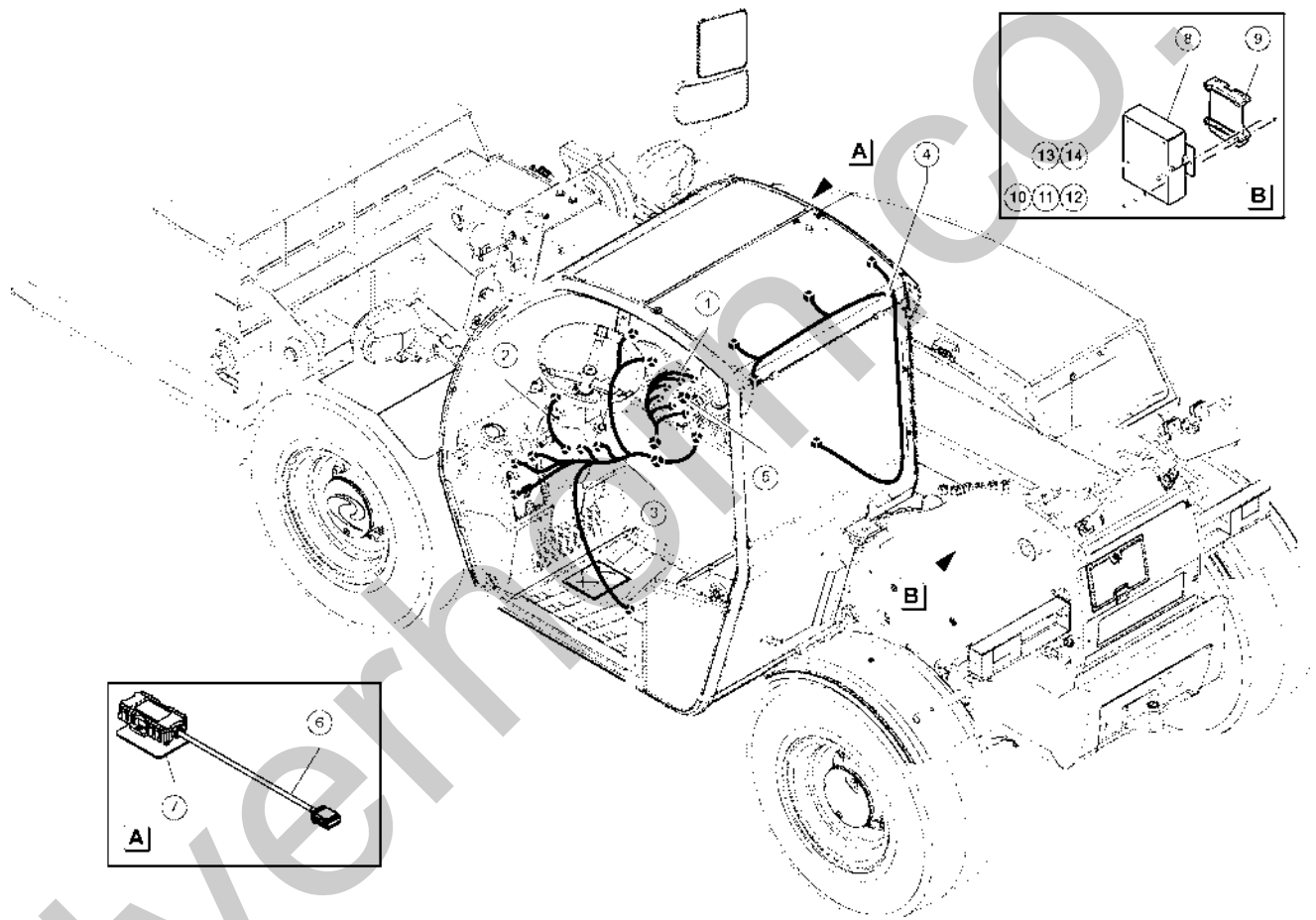
702.1 Wirings - View 1





Item	Part No.	Description	Qty.
1	55.0602.1023GT	Alternator Line .....	1
2	56.0008.5216GT	GROUND BRAID .....	1
3	56.0008.5217GT	BATTERY For US Market Can Be Sold P.N. 129101 With Bracket P.N. 823269 .....	1
4	55.0602.1020GT	Positive Battery Cable .....	1
5	55.0602.1032GT	Negative Battery Cable .....	1
6		Please Communicate The Engine Serial Number .....	1
7	56.0006.9201GT	Relay 12V 50A .....	2
8	56.0002.0266GT	CONNECTOR .....	1
9	56.0017.0134GT	Box Cap .....	1
10	07.0703.0060GT	FUSE, 50 AMP .....	1
10	07.0703.0061GT	FUSE For Air Conditioning Option .....	1
11	07.0703.0229GT	Fuse Maxi 100A .....	1
12	07.0703.0189GT	FUSE HOLDER .....	1
13	634975GT	Fuse 20A .....	1
14	07.0703.0714GT	FUSE HOLDER .....	1
15	56.0006.9211GT	Relay 12V 150A .....	1
16	56.0005.0000GT	FUSE, MAXI,40A .....	1
17	56.0001.0046GT	PIN For Connector Pin Numbers 1 and 2 .....	2
17	56.0001.0050GT	Small Pin Seal For Connector Pin Numbers 1 and 2 .....	2
18	56.0001.0047GT	Connector Big Pin For Connector Pin Numbers 3 and 5 .....	2
18	56.0001.0051GT	Big Pin Seal For Connector Pin Numbers 3 and 5 .....	2
19	07.0703.0068GT	FUSE,MAXI,20A .....	1

703.1 Wirings - View 2 (to SN GTH55M-15671, Excluded GTH55M-15503, 15549, 15659)

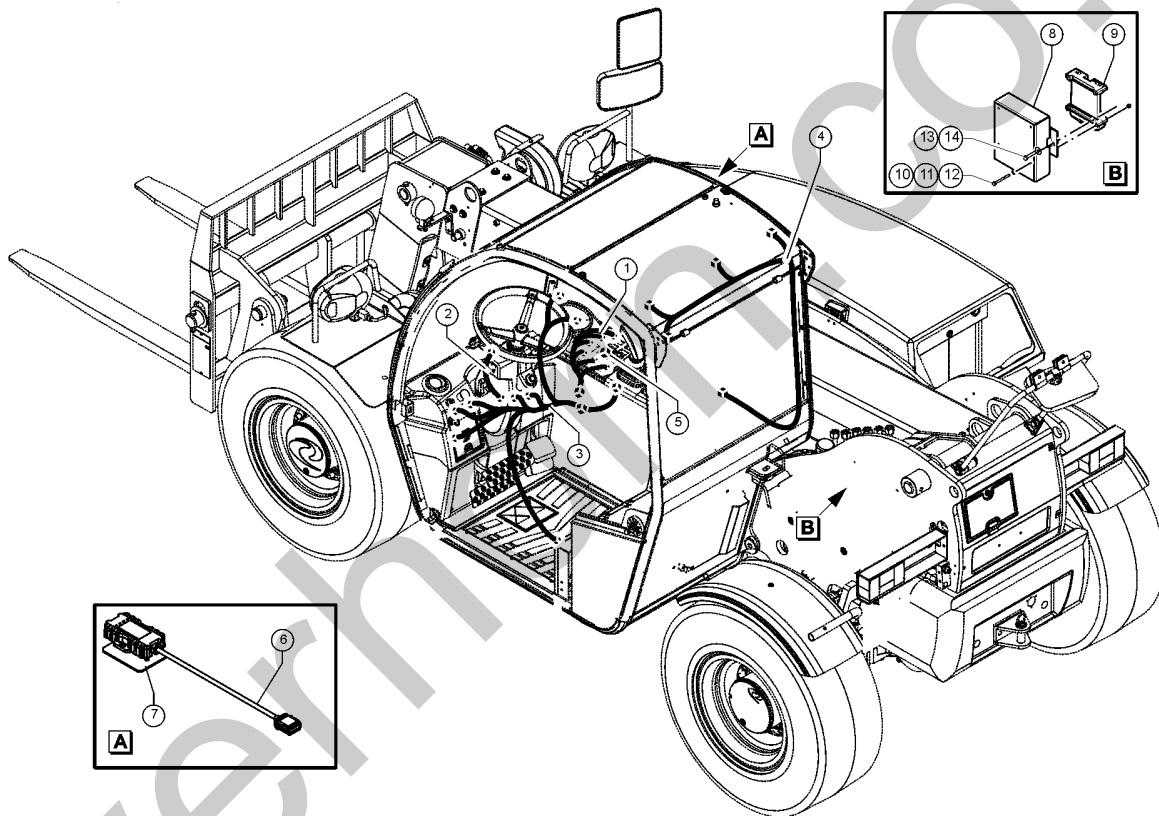


## 703.1 Wirings - View 2 (to SN GTH55M-15671, Excluded GTH55M-15503, 15549, 15659)

Item	Part No.	Description	Qty.
1	55.0602.1187GT	TILTING HARNESS .....	1
2	55.0602.0836GT	Steering Column Harness .....	1
3	55.0602.1185GT	LOWER CAB HARNESS .....	1
4	55.0602.1186GT	UPPER CAB HARNESS .....	1
5	56.0002.0351GT	Diode .....	2
6	1289520GT	MODULE,TELEMATICS,ZTR,M7,NORTH AMERICA .....	1
7	1289561GT	BRACKET, TELEMATICS .....	1
8	51.0811.4954GT	CONTROLLER SUPPORT .....	1
9	56.0021.0185GT	CONTROLLER UNIT PLUS+1 MC050-112 .....	1
10	01.4001.0216GT	SCREW,HHC,M6X65,UNI5737,8.8,ZN .....	4
11	01.0031.0054GT	FLAT WASHER D6 UNI 6592 ZN .....	4
12	01.0023.0053GT	STOP NUT M6 UNI 7473 6S ZN .....	4
13	01.0001.1465GT	SCREW TE M8X40 UNI 5739 8.8 ZN .....	2
14	01.0031.0299GT	FLAT WASHER D8 UNI 6593 ZN .....	2

703.2 Wirings - View 2 Transmission Type D (from SN GTH55M-15672)

NOTE:(SEE SERIAL LABEL FOR TRANSMISSION TYPE)

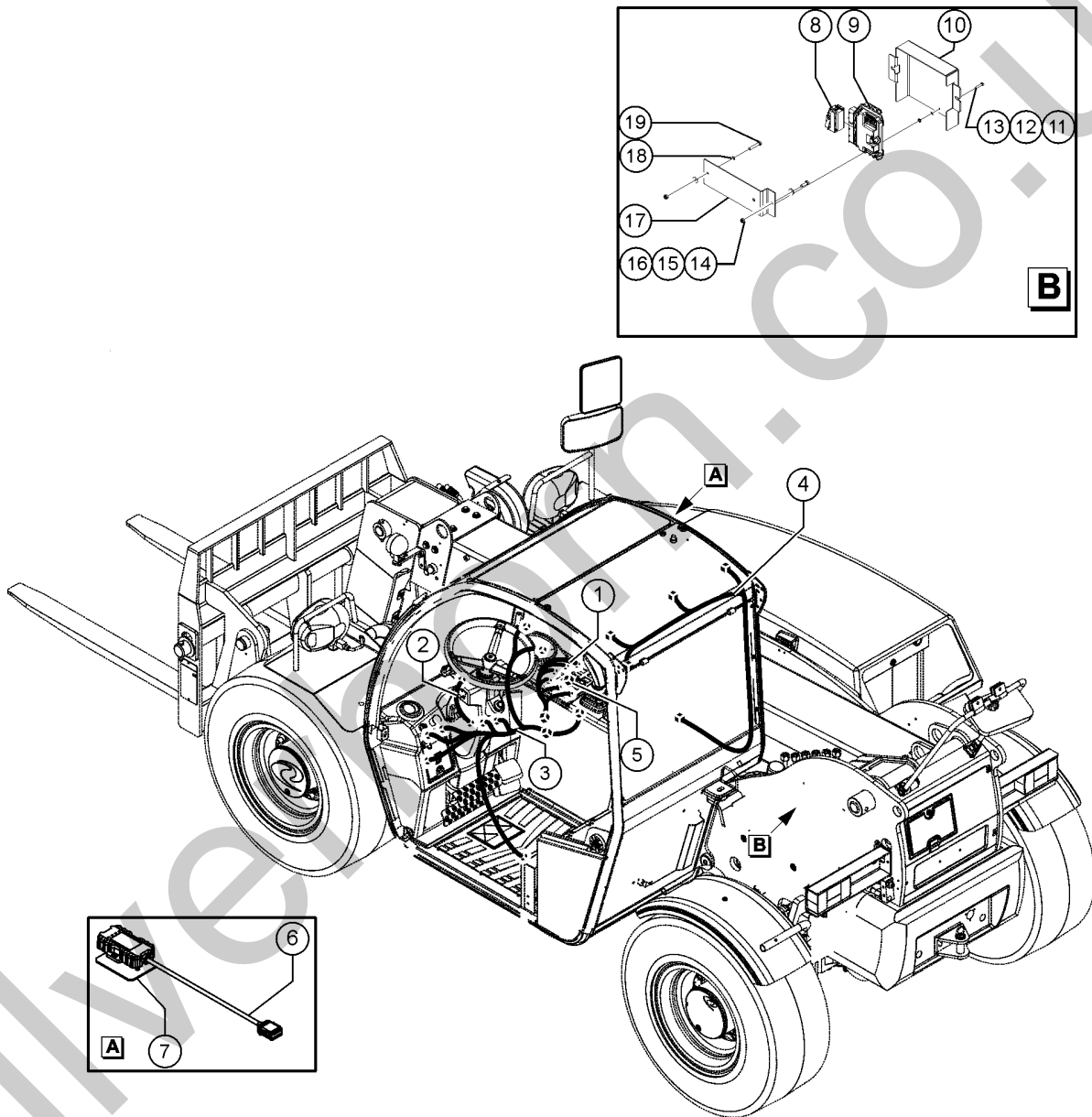


## 703.2 Wirings - View 2 Transmission Type D (from SN GTH55M-15672)

Item	Part No.	Description	Qty.
1	55.0602.1187GT	TILTING HARNESS .....	1
2	55.0602.0836GT	Steering Column Harness .....	1
3	55.0602.1185GT	LOWER CAB HARNESS .....	1
4	55.0602.1186GT	UPPER CAB HARNESS .....	1
5	56.0002.0351GT	Diode .....	2
6	1289520GT	MODULE,TELEMATICS,ZTR,M7,NORTH AMERICA .....	1
7	1289561GT	BRACKET, TELEMATICS .....	1
8	51.0811.4954GT	CONTROLLER SUPPORT .....	1
9	56.0021.0185GT	CONTROLLER UNIT PLUS+1 MC050-112 .....	1
10	01.4001.0216GT	SCREW,HHC,M6X65,UNI5737,8.8,ZN .....	4
11	01.0031.0054GT	FLAT WASHER D6 UNI 6592 ZN .....	4
12	01.0023.0053GT	STOP NUT M6 UNI 7473 6S ZN .....	4
13	01.0001.1465GT	SCREW TE M8X40 UNI 5739 8.8 ZN .....	2
14	01.0031.0299GT	FLAT WASHER D8 UNI 6593 ZN .....	2

703.3 Wirings - View 2 Transmission Type B (from SN GTH55M-15672, Included GTH55M-15503, 15549, 15659)

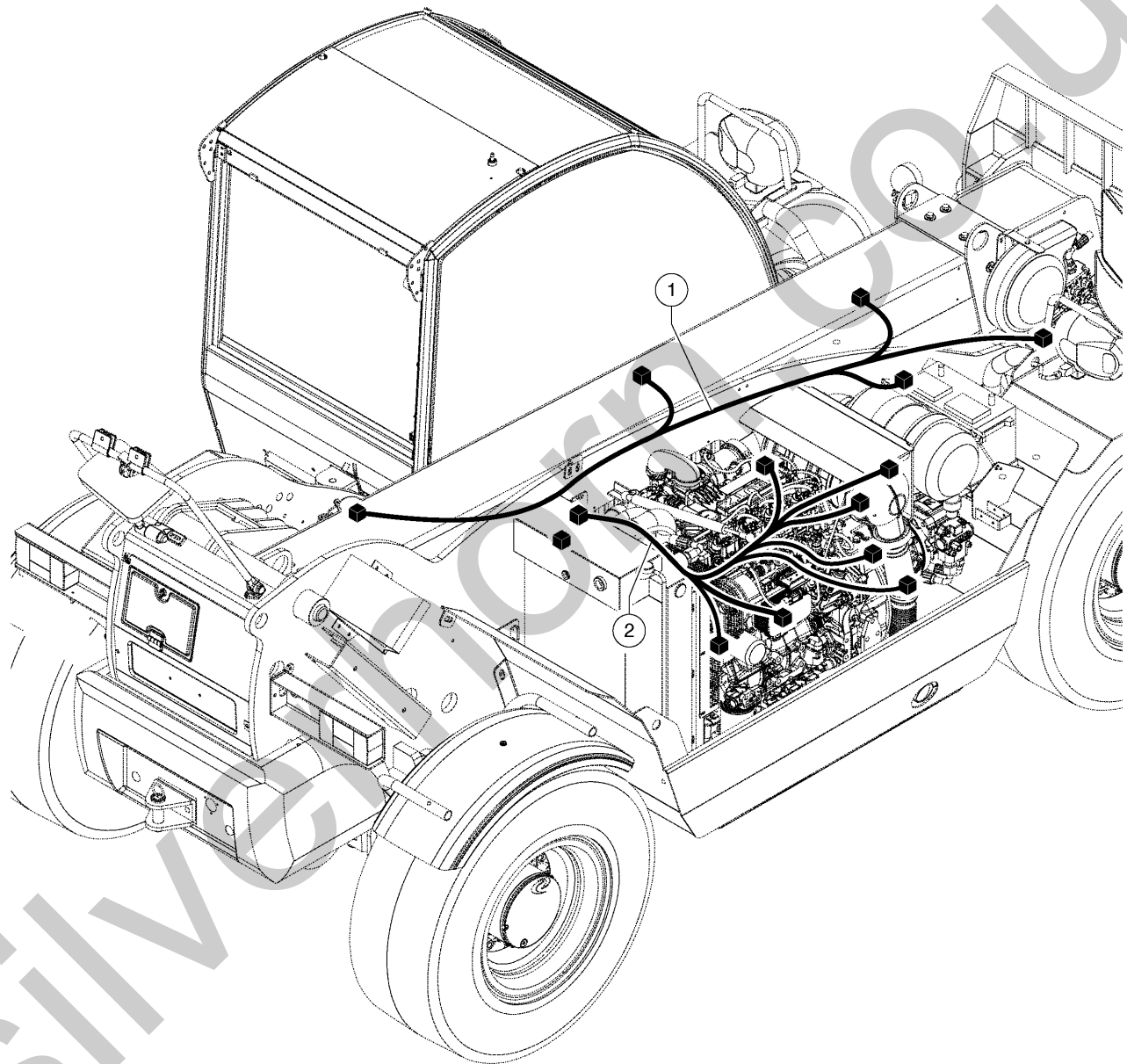
NOTE:(SEE SERIAL LABEL FOR TRANSMISSION TYPE)



## 703.3 Wirings - View 2 Transmission Type B (from SN GTH55M-15672, Included GTH55M-15503, 15549, 15659)

Item	Part No.	Description	Qty.
A	1317919GT	KIT BOSCH CAB .....	1
1	55.0602.1187GT	TILTING HARNESS .....	1
2	55.0602.0836GT	Steering Column Harness .....	1
3	1317921GT	HARNESS, LOWER CAB, BOSCH .....	1
4	55.0602.1186GT	UPPER CAB HARNESS .....	1
5	56.0002.0351GT	Diode .....	2
6	1289520GT	MODULE,TELEMATICS,ZTR,M7,NORTH AMERICA .....	1
7	1289561GT	BRACKET, TELEMATICS .....	1
8	1319071GT	CONNECTOR, ELECTRONIC CONTROL UNIT .....	1
9	1318957GT	ELECTRONIC CONTROL UNIT, HYDRAULIC TRASMISSION .....	1
10	1318449GT	FORMING, ELECTRONIC CONTROL UNIT, BOSCH .....	1
11	01.0001.0102GT	SCREW M6X30 UNI 5739 8.8 ZN .....	4
12	01.0031.0054GT	FLAT WASHER D6 UNI 6592 ZN .....	8
13	01.0023.0053GT	STOP NUT M6 UNI 7473 6S ZN .....	4
14	01.0001.0011GT	SCREW TE M 8X25 UNI 5739 8.8 .....	2
15	01.4032.0003GT	Spring Washer D 8 ZN .....	3
16	01.0023.0054GT	NUT,M8 UNI 7473 6S ZN .....	3
17	1318393GT	FORMING, SUPPORT, ECM BRACKET .....	1
18	01.0031.0299GT	FLAT WASHER D8 UNI 6593 ZN .....	6
19	01.0001.0260GT	SCREW M8X45 UNI 5739 8.8 ZN .....	2

704.1 Wirings - View 3 (to SN GTH55M-15671, Excluded GTH55M-15503, 15549, 15659)





704.1 Wirings - View 3 (to SN GTH55M-15671, Excluded GTH55M-15503, 15549, 15659)

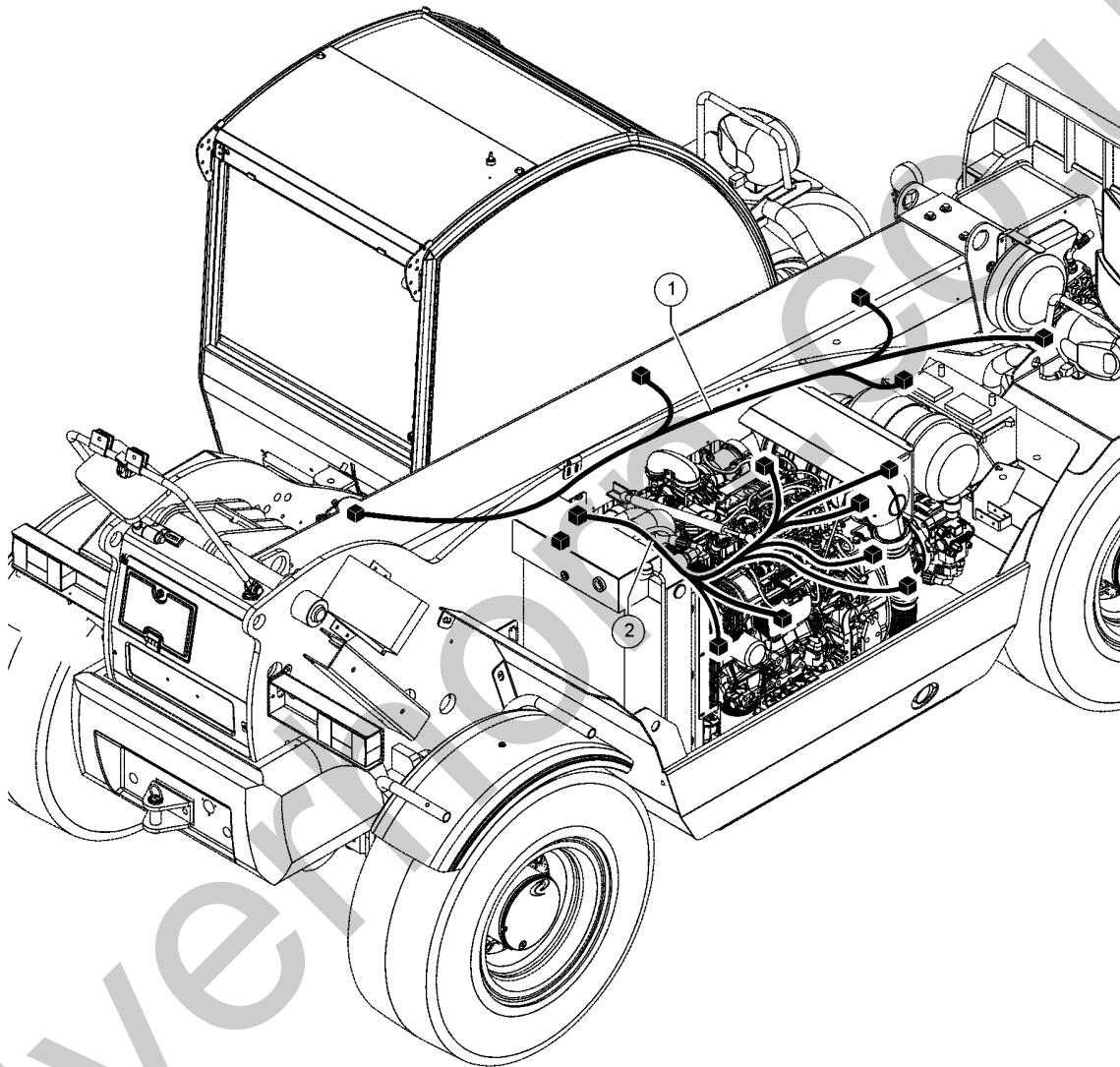
<i>Item</i>	<i>Part No.</i>	<i>Description</i>	<i>Qty.</i>
1	55.0602.1189GT	CHASSIS HARNESS .....	1
2	55.0602.1188GT	ENGINE HARNESS .....	1

Silverhorn.CO.UK



704.2 Wirings - View 3 Transmission Type D (from SN GTH55M-15672)

NOTE:(SEE SERIAL LABEL FOR TRANSMISSION TYPE)



704.2 Wirings - View 3 Transmission Type D (from SN GTH55M-15672)

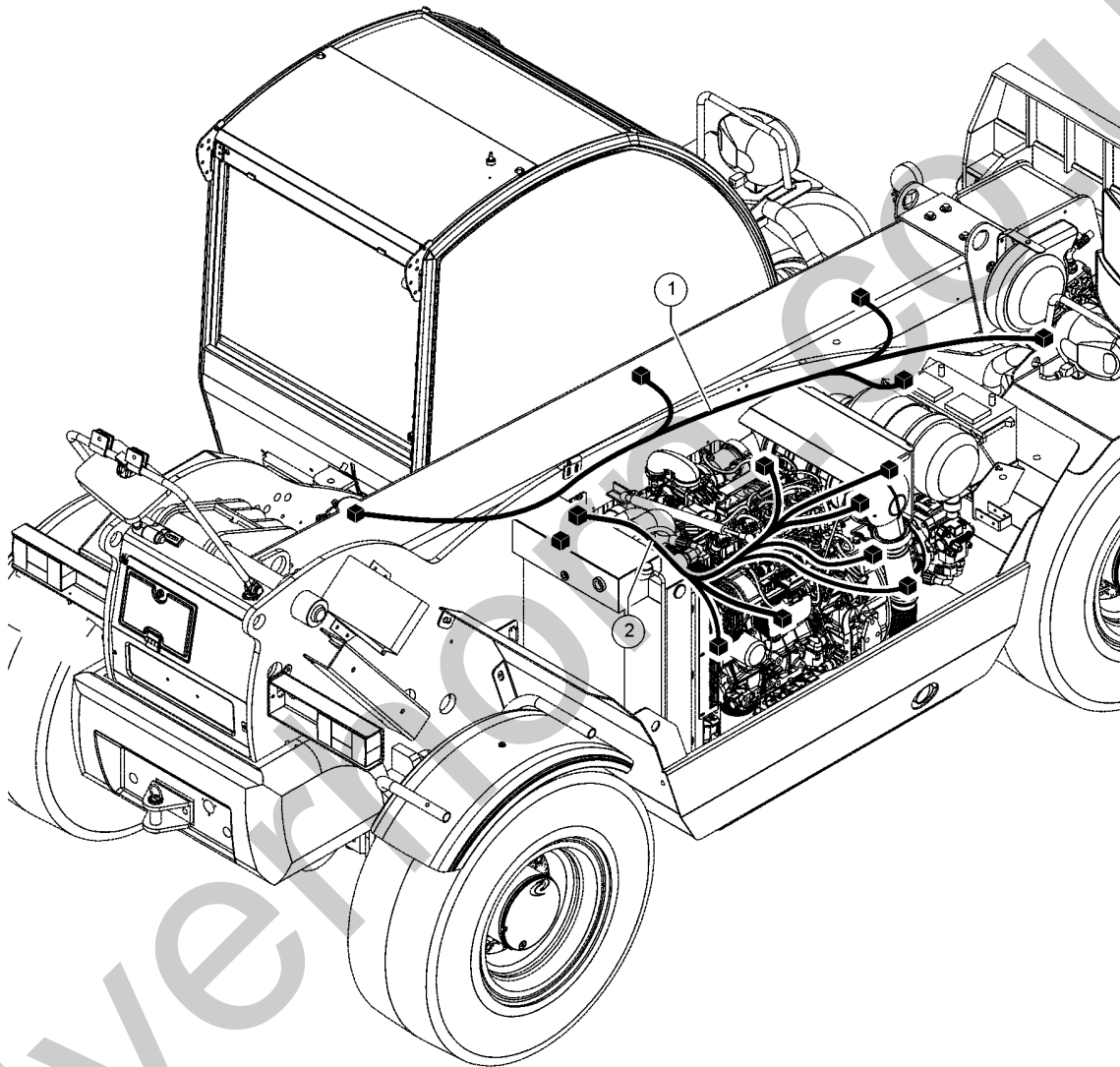
<i>Item</i>	<i>Part No.</i>	<i>Description</i>	<i>Qty.</i>
1	55.0602.1189GT	CHASSIS HARNESS .....	1
2	55.0602.1188GT	ENGINE HARNESS .....	1

Silverhorn.CO.UK



704.3 Wirings - View 3 Transmission Type B (from SN GTH55M-15672, Included GTH55M-15503, 15549, 15659)

NOTE:(SEE SERIAL LABEL FOR TRANSMISSION TYPE)



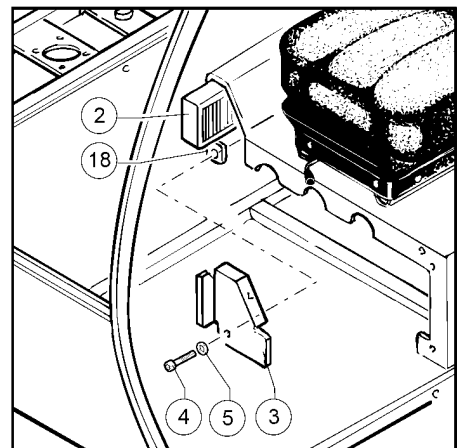
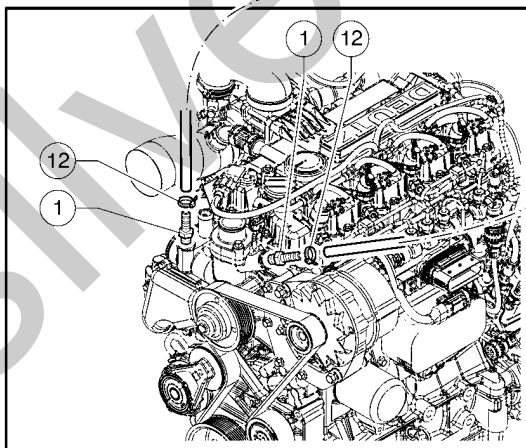
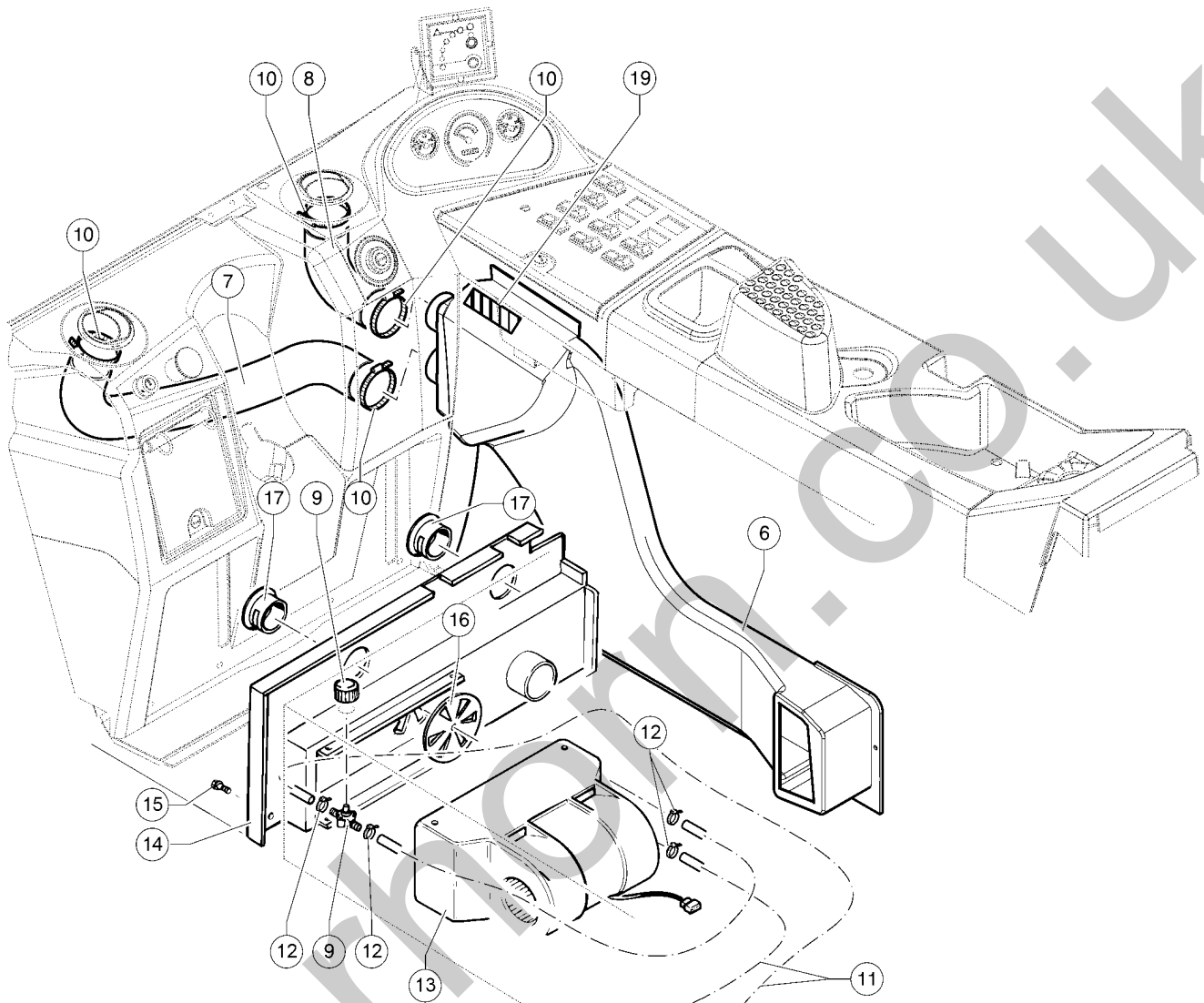
704.3 Wirings - View 3 Transmission Type B (from SN GTH55M-15672, Included GTH55M-15503, 15549, 15659)

<i>Item</i>	<i>Part No.</i>	<i>Description</i>	<i>Qty.</i>
A	1317920GT	KIT BOSCH CHASSIS AND ENGINE .....	1
1	1317922GT	HARNESS, CHASSIS, BOSCH .....	1
2	1317917GT	HARNESS, DEUTZ EMR4, BOSCH .....	1

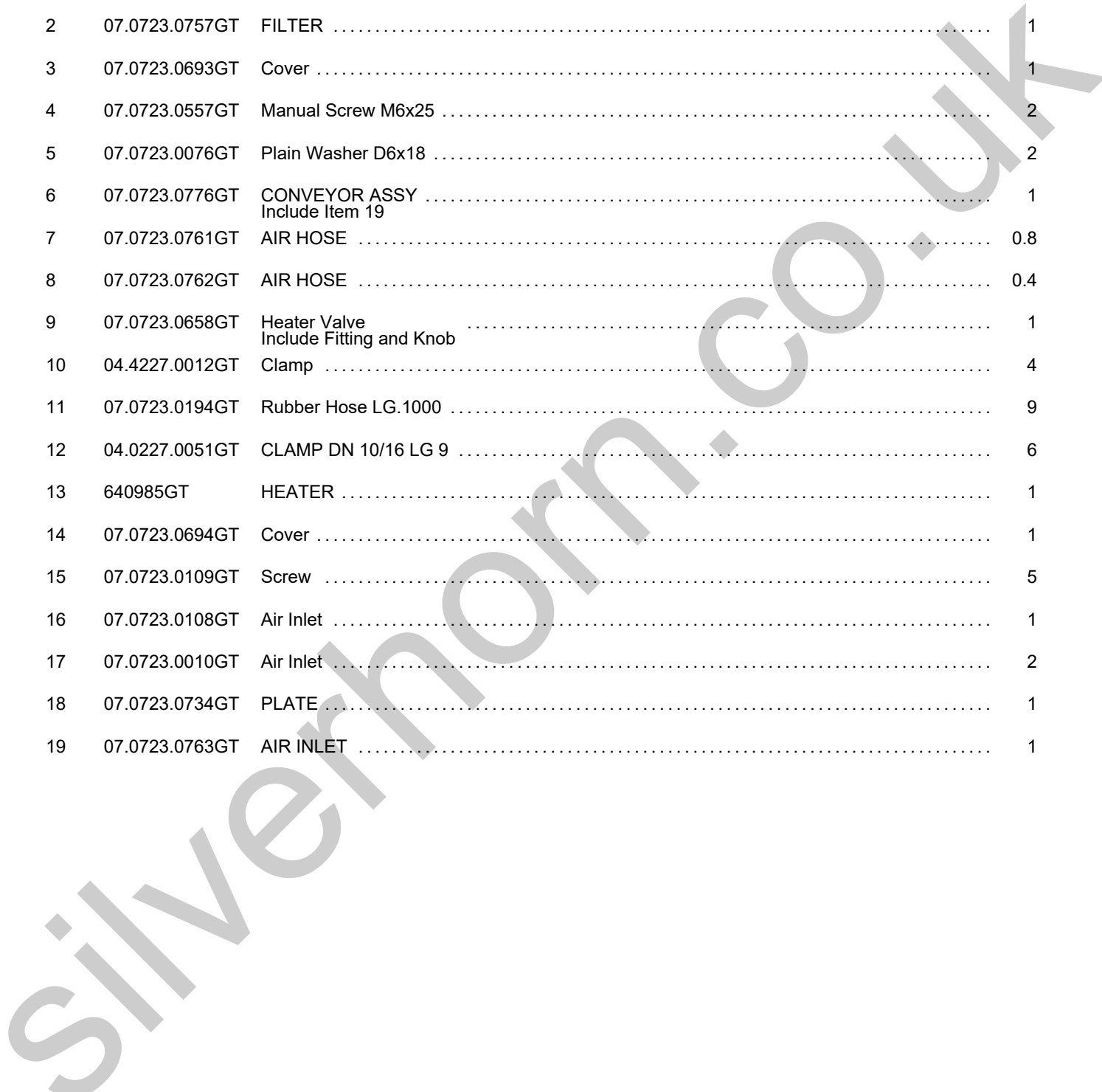
Silverhorn.co.uk



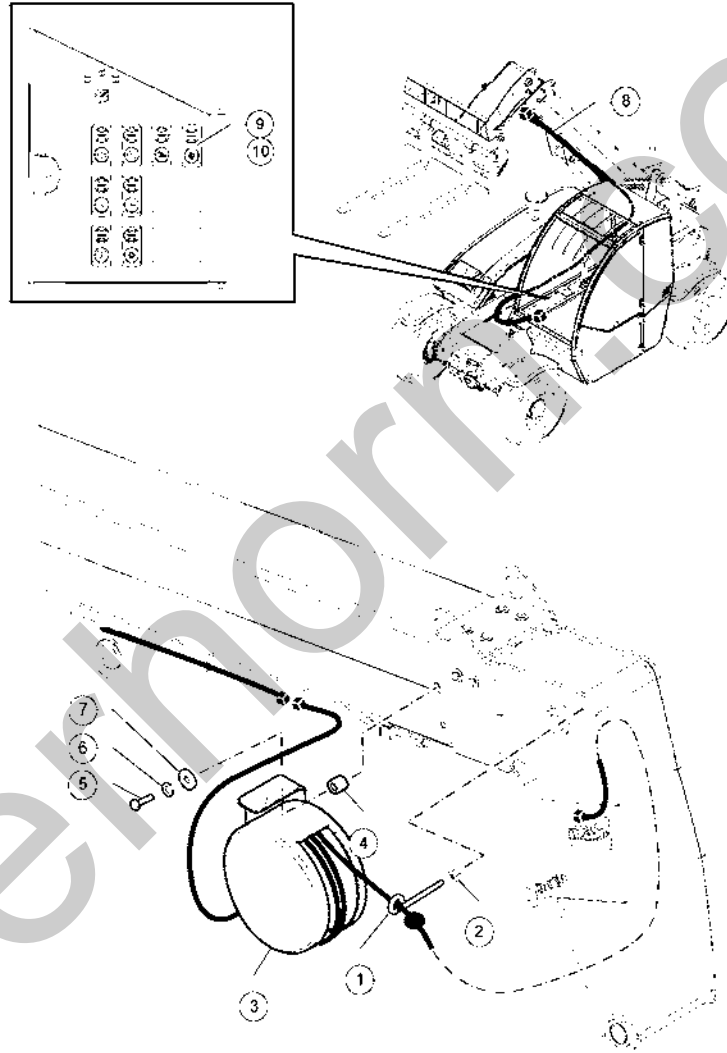
801.1 Cab Heater



Item	Part No.	Description	Qty.
1	09.0806.0062GT	Hose Fitting .....	2
2	07.0723.0757GT	FILTER .....	1
3	07.0723.0693GT	Cover .....	1
4	07.0723.0557GT	Manual Screw M6x25 .....	2
5	07.0723.0076GT	Plain Washer D6x18 .....	2
6	07.0723.0776GT	CONVEYOR ASSY .....	1
		Include Item 19	
7	07.0723.0761GT	AIR HOSE .....	0.8
8	07.0723.0762GT	AIR HOSE .....	0.4
9	07.0723.0658GT	Heater Valve .....	1
		Include Fitting and Knob	
10	04.4227.0012GT	Clamp .....	4
11	07.0723.0194GT	Rubber Hose LG.1000 .....	9
12	04.0227.0051GT	CLAMP DN 10/16 LG 9 .....	6
13	640985GT	HEATER .....	1
14	07.0723.0694GT	Cover .....	1
15	07.0723.0109GT	Screw .....	5
16	07.0723.0108GT	Air Inlet .....	1
17	07.0723.0010GT	Air Inlet .....	2
18	07.0723.0734GT	PLATE .....	1
19	07.0723.0763GT	AIR INLET .....	1



802.1 Hydraulic Quick Coupling And 1 Aux Circuit (Electric Part)

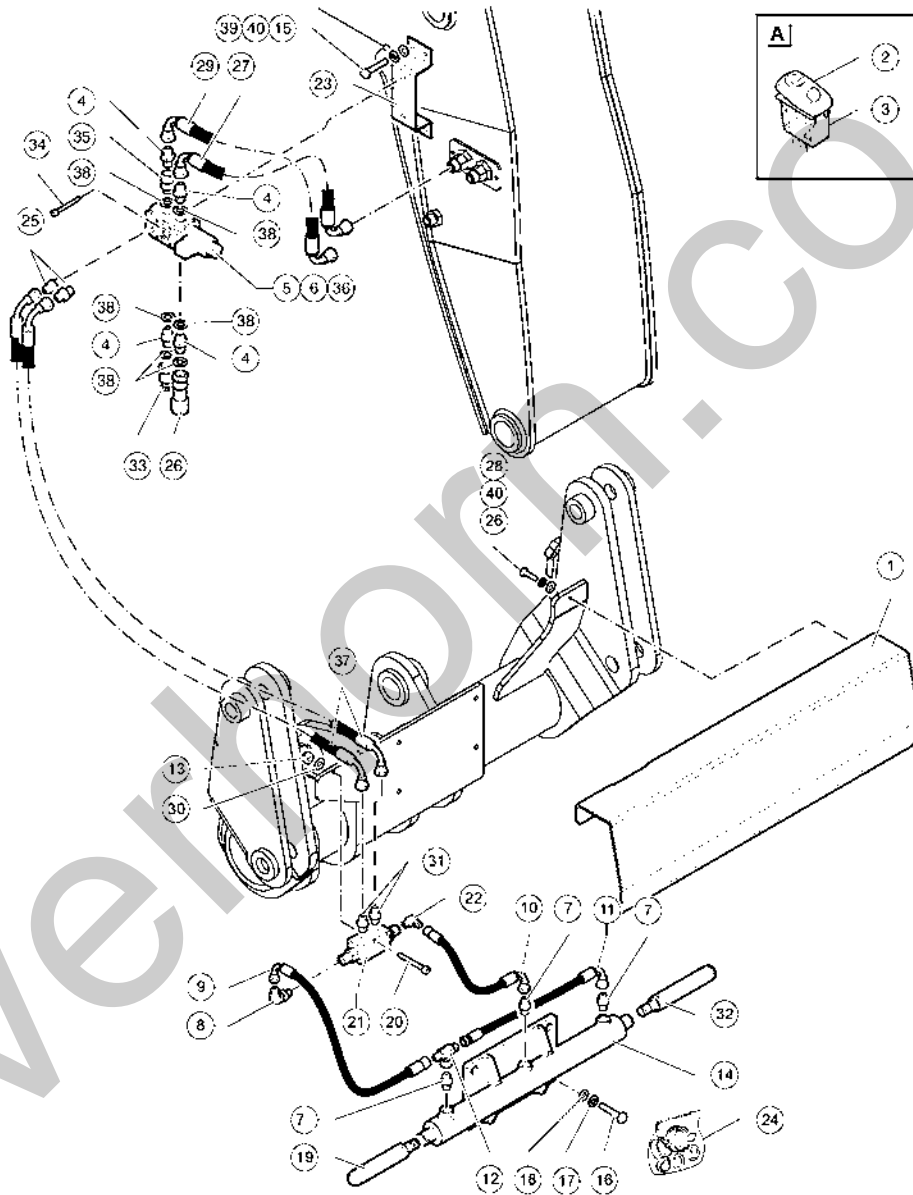




802.1 Hydraulic Quick Coupling And 1 Aux Circuit (Electric Part)

Item	Part No.	Description	Qty.
1	51.0811.4537GT	ELECTRICAL CABLE SUPPORT .....	1
2	01.0019.0104GT	NUT M8 UNI 5588 6S ZN .....	1
3	56.0023.0051GT	Cable Reel .....	1
4	54.0101.0015GT	Spacer .....	2
5	01.0001.0104GT	SCREW M6X40 UNI 5739 8.8 ZN .....	2
6	01.0031.0298GT	FLAT WASHER D6 UNI 6593 ZN .....	2
7	01.4032.0002GT	SPRING WASHER D6 ZN .....	2
8	55.0602.1027GT	Boom Line .....	1
9	56.0017.0063GT	SWITCH COVER .....	1
10	56.0017.0035GT	SWITCH .....	1

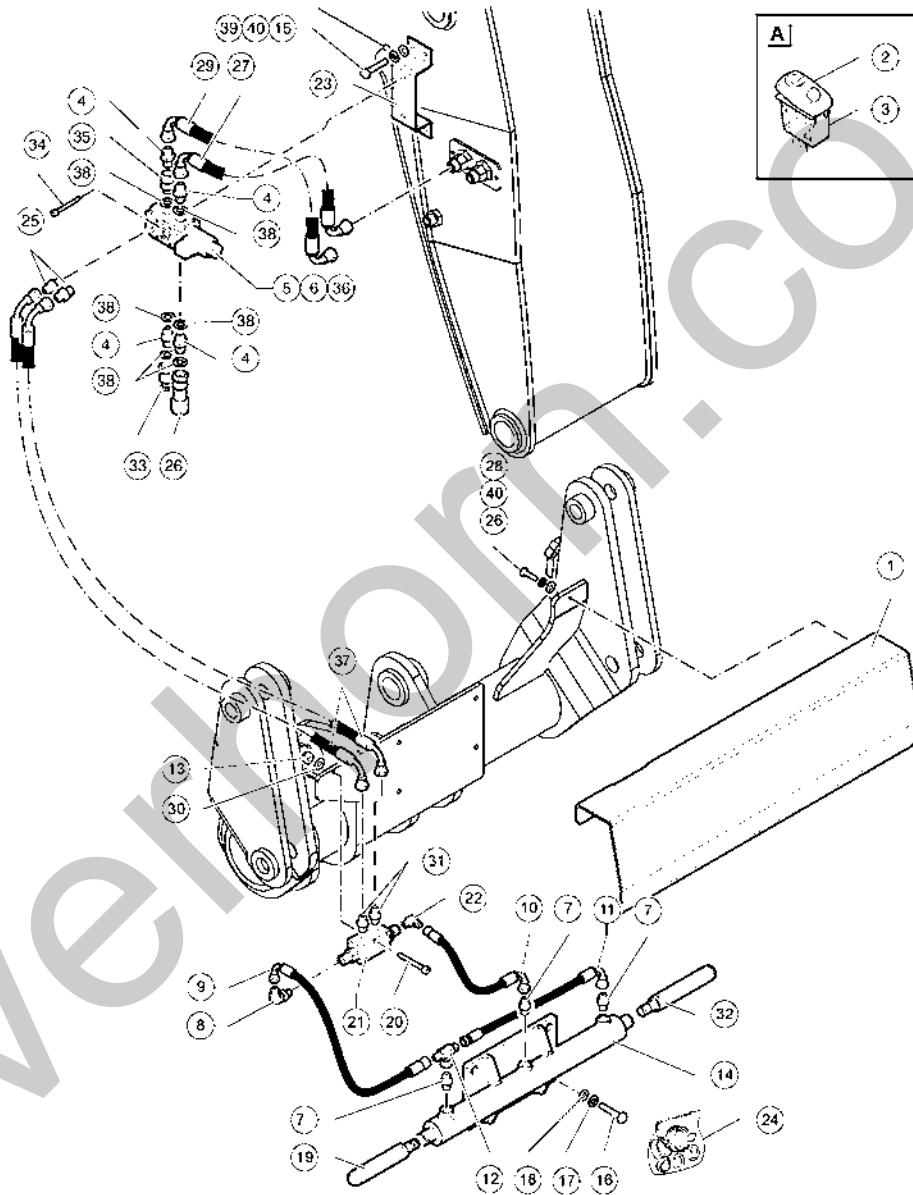
803.1 Hydraulic Quick Coupling And 1 Aux Circuit (Hydraulic Part)



## 803.1 Hydraulic Quick Coupling And 1 Aux Circuit (Hydraulic Part)

Item	Part No.	Description	Qty.
1	51.0903.5062GT	Protection Cylinder .....	1
2	56.0017.0063GT	SWITCH COVER .....	1
3	56.0017.0035GT	SWITCH .....	1
4	04.0600.0017GT	PIPE FITTING 1/2X1/2 BSP .....	4
5	04.4240.0075GT	SOLENOID VALVE ASSY 6 WAY .....	1
6	07.0701.0316GT	SOLENOID .....	1
7	04.0607.0114GT	PIPE FITTING 3/8 BSPX9/16-18 ORFS .....	3
8	04.0607.0112GT	PIPE FITTING M-M A 90 1/4 BSPX9/16-18 ORFS .....	1
9	04.0605.0112GT	FLEXIBLE HOSE 7.75 INCH .....	1
10	04.0605.0114GT	FLEXIBLE HOSE .....	1
11	04.0605.0113GT	HOSE R2X1/4 LG 405 FD-F90 9/16-18 ORFS .....	1
12	04.0607.0131GT	PIPE FITTING TMF+C 9/16-18 ORFS .....	1
13	01.0023.0053GT	STOP NUT M6 UNI 7473 6S ZN .....	4
14	53.0500.0604GT	Cylinder .....	1
15	01.0001.0252GT	SCREW M8X16 UNI 5739 8.8 ZN .....	4
16	01.0001.0355GT	SCREW M10X25 UNI 5739 8.8 ZN .....	4
17	01.4032.0004GT	WASHER, LOCK, M10, DIN127 .....	4
18	01.0031.0301GT	FLAT WASHER D10 UNI 6593 ZN .....	4
19	54.0001.0088GT	Pin .....	1
20	01.0003.0162GT	SCREW M6X50 UNI 5931 8.8 ZN .....	2
21	04.4239.0002GT	VALVE .....	1
22	04.0607.0132GT	PIPE FITTING 45 M-M 1/4 BSPX9/16-18 ORFS .....	1
23	51.0811.4527GT	SUPPORT .....	1
24	07.4529.0158GT	Joint Kit .....	1
25	04.0607.0110GT	PIPE FITTING 1/2BSP x 11/16-16 ORFS .....	2
26	04.4210.0019GT	QUICK COUPLING, FEMALE 1/2 .....	2
27	04.0602.0615GT	HOSE R2X1/2 430 F90 BSP F90 BSP A 270° .....	1
28	01.0031.0299GT	FLAT WASHER D8 UNI 6593 ZN .....	2

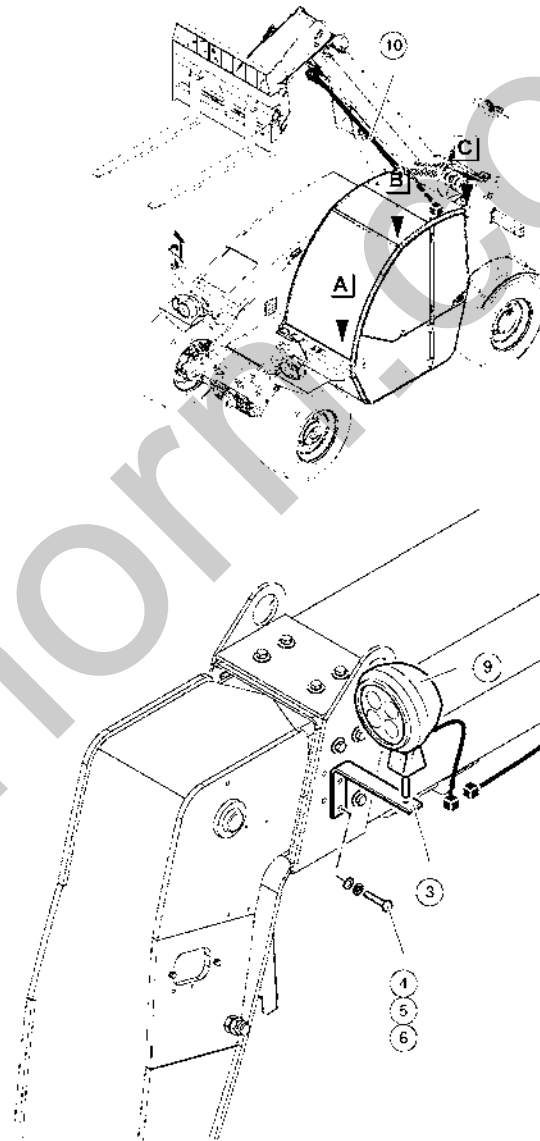
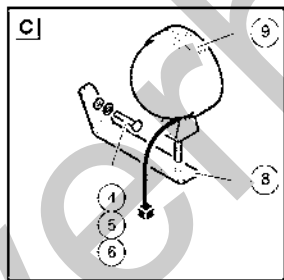
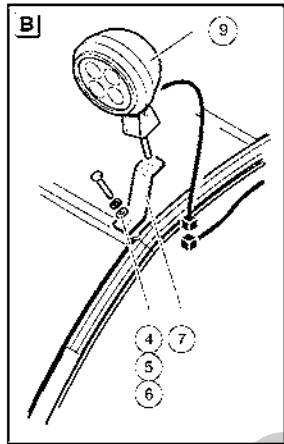
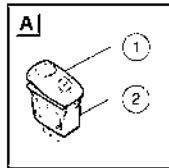
803.1 Hydraulic Quick Coupling And 1 Aux Circuit (Hydraulic Part)



803.1 Hydraulic Quick Coupling And 1 Aux Circuit (Hydraulic Part)

Item	Part No.	Description	Qty.
29	04.0602.0613GT	HOSE R2X1/2 500 F90 F90 BSP A 270° .....	1
30	01.0031.0054GT	FLAT WASHER D6 UNI 6592 ZN .....	5
31	04.0607.0163GT	PIPE FITTING 1/4BSPX11/16-16 ORFS .....	2
32	54.0001.0087GT	Pin .....	1
33	04.4210.0018GT	QUICK COUPLING, MALE 1/2 .....	2
34	01.4003.0036GT	SCREW M8X65 UNI 5931 8.8 ZN .....	4
35	04.0600.0107GT	PIPE FITTING GMF 1/2 BSP .....	1
36	07.0701.0317GT	SINGLE VALVE BODY .....	1
37	04.0605.1633GT	HOSE R2X3/8 LG 1050 F90-F90 11/16-16 90 .....	2
38	06.0442.0122GT	BONDED RING 1/2" .....	4
39	01.0031.0055GT	FLAT WASHER D8 UNI 6592 ZN .....	4
40	01.4032.0003GT	Spring Washer D 8 ZN .....	6

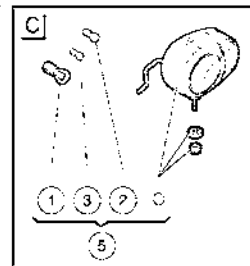
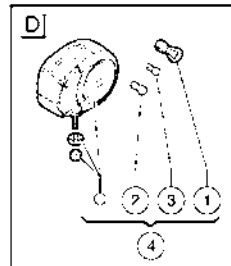
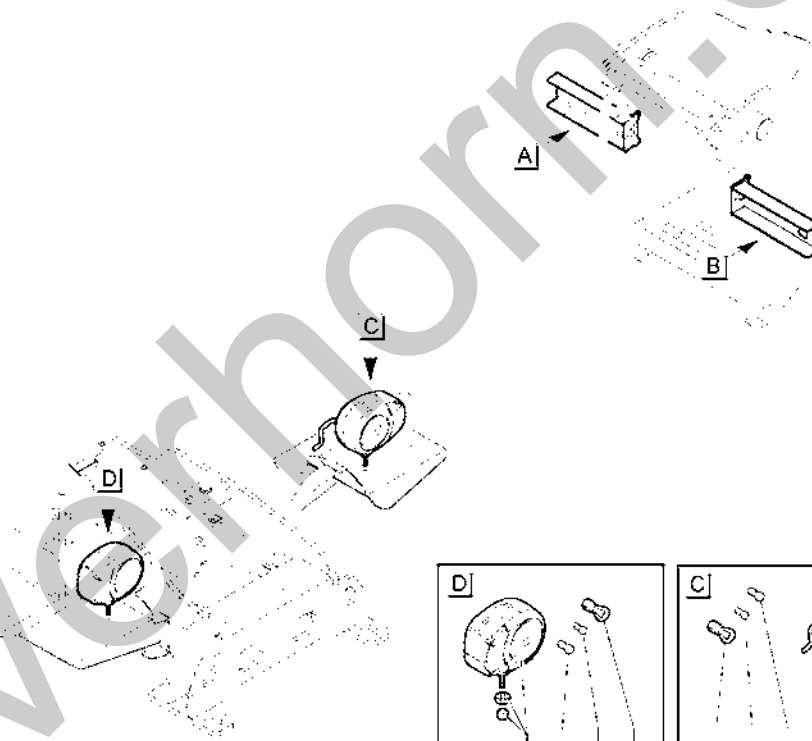
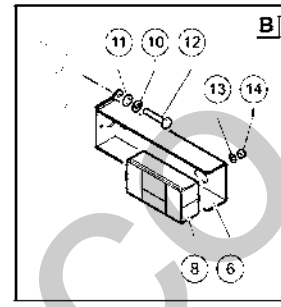
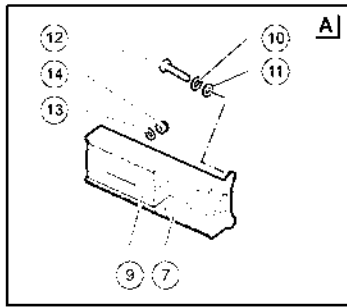
804.1 Work Lights



804.1 Work Lights

Item	Part No.	Description	Qty.
1	56.0017.0045GT	Work Lights Switch Cover .....	1
2	56.0017.0132GT	Switch Contact .....	1
3	51.0811.4490GT	WORKING LIGHT BOOM SUPPORT .....	1
4	01.0001.0254GT	SCREW M8X20 UNI 5739 8.8 ZN .....	2
5	01.0031.0055GT	FLAT WASHER D8 UNI 6592 ZN .....	4
6	01.4032.0003GT	Spring Washer D 8 ZN .....	2
7	51.0811.4717GT	Support .....	1
8	51.0811.4718GT	Support .....	1
9	56.0017.0124GT	Work Light .....	3
10	55.0602.1027GT	Boom Line .....	1

805.1 Road Lights - Part 1

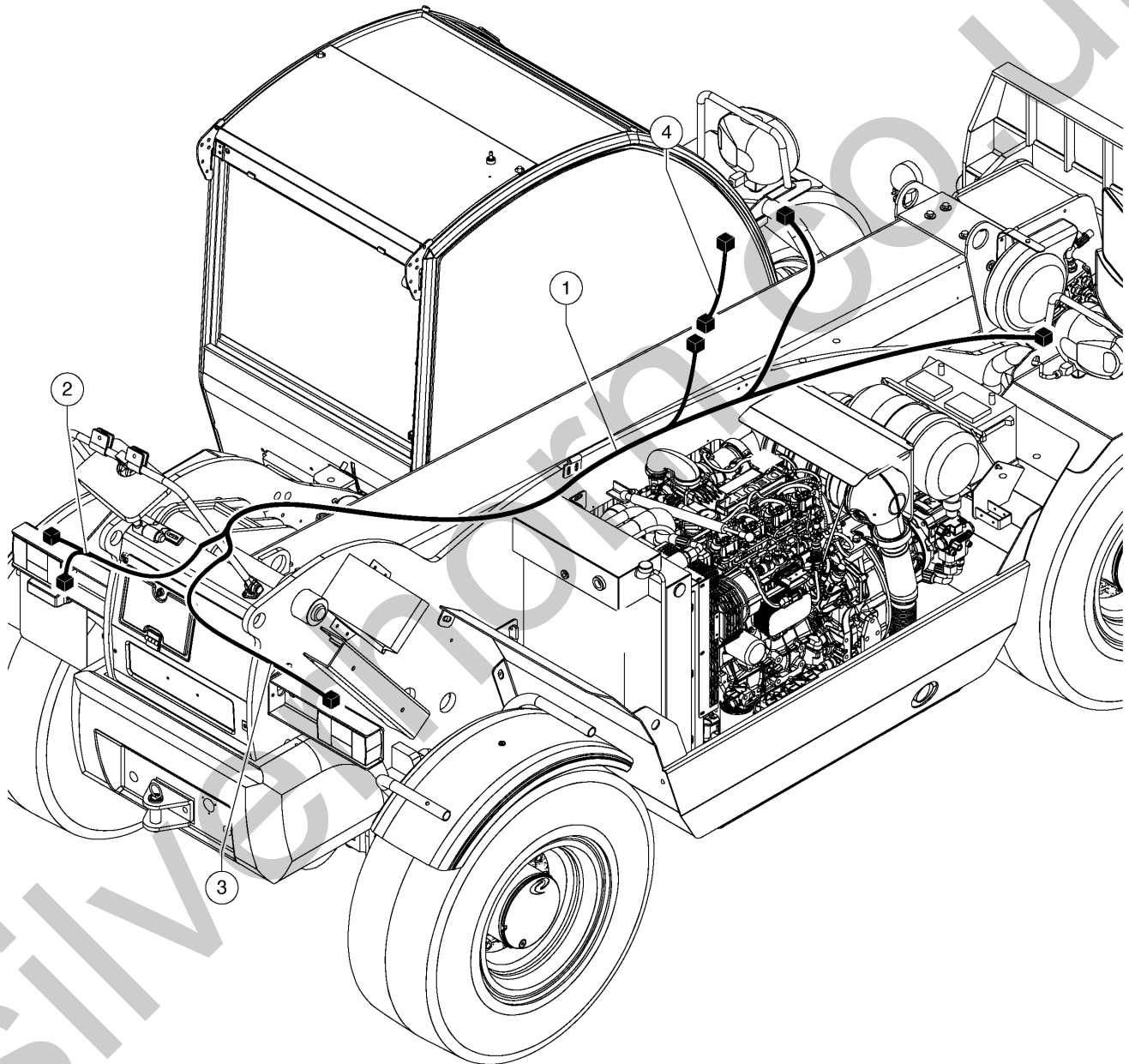




## 805.1 Road Lights - Part 1

Item	Part No.	Description	Qty.
1	1301110GT	LAMP PY21W 12V N054 .....	2
2	1301109GT	LAMP H4 12V 60/55W N054 .....	2
3	07.0703.0305GT	BULB, HEADLAMP .....	2
4	56.0010.0034GT	LIGHT,FRONT,RIGHT .....	1
5	56.0010.0035GT	LIGHT,FRONT,LEFT .....	1
6	51.0811.4716GT	Right Rear Road Light Support .....	1
7	51.0811.4715GT	Right Left Road Light Support .....	1
8	56.0010.0037GT	LIGHT,REAR,RIGHT .....	1
9	56.0010.0036GT	LIGHT,REAR,LEFT .....	1
10	01.4032.0003GT	Spring Washer D 8 ZN .....	4
11	01.0031.0055GT	FLAT WASHER D8 UNI 6592 ZN .....	4
12	01.0001.0256GT	SCREW M8X25 UNI 5739 8.8 ZN .....	4
13	01.0031.0054GT	FLAT WASHER D6 UNI 6592 ZN .....	4
14	01.0023.0053GT	STOP NUT M6 UNI 7473 6S ZN .....	4

806.1 Road Lights - Part 2



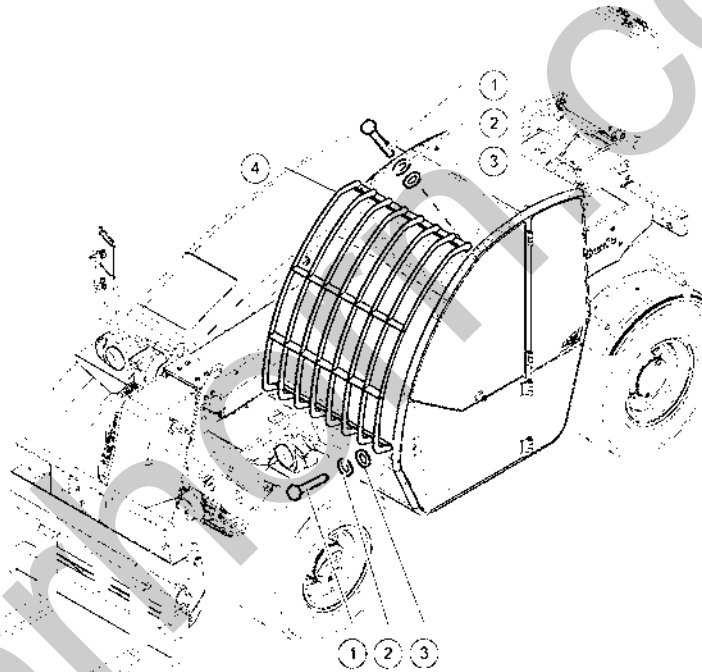
806.1 Road Lights - Part 2

<i>Item</i>	<i>Part No.</i>	<i>Description</i>	<i>Qty.</i>
1	55.0602.0851GT	Chassis Line .....	1
2	55.0602.0854GT	Rear Left Lights Line .....	1
3	55.0602.0853GT	Rear Right Lights Line .....	1
4	55.0602.0981GT	Road Light Cab Harness .....	1

Silverhorn.co.uk



807.1 Front Protection Grid



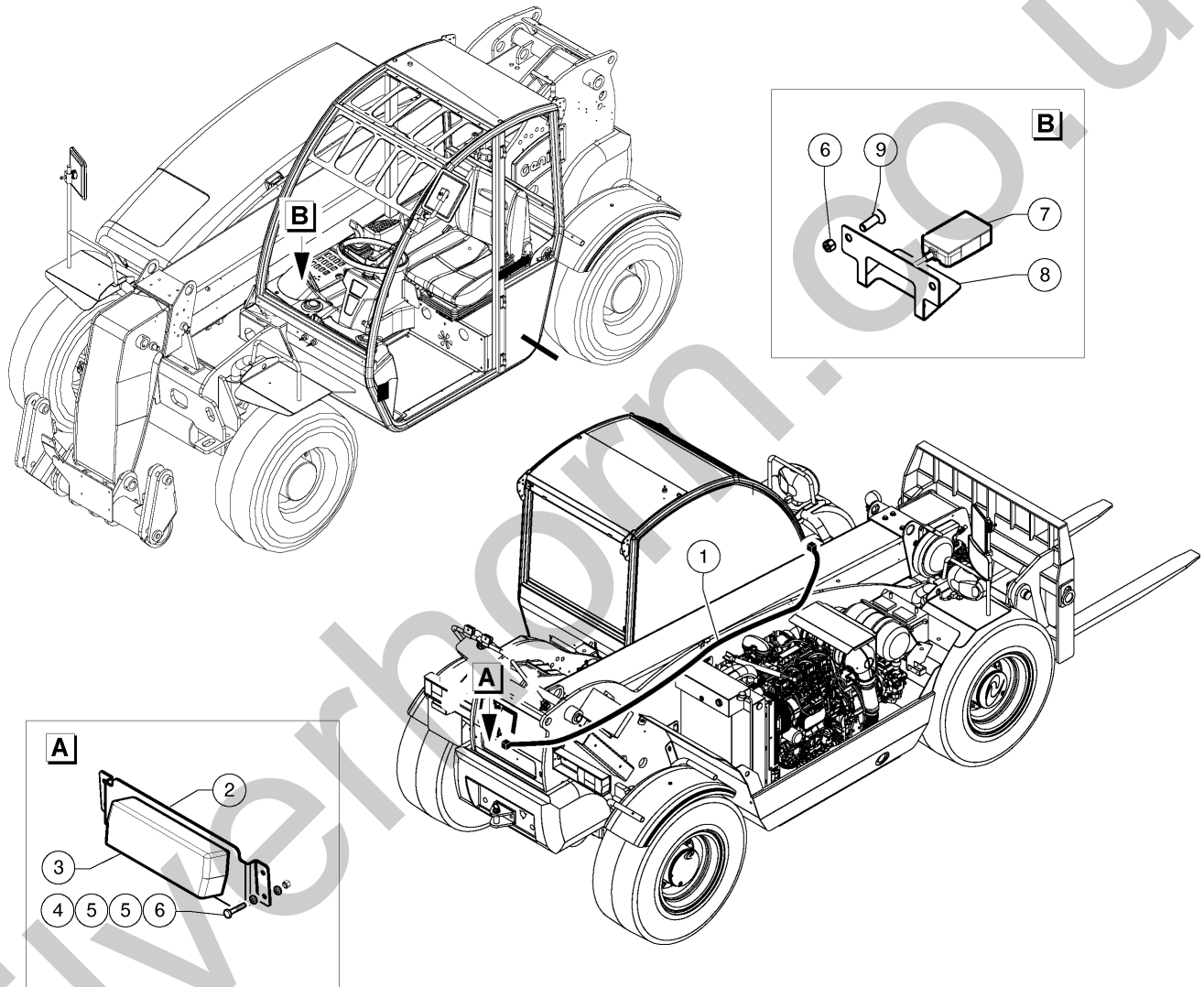
807.1 Front Protection Grid

<i>Item</i>	<i>Part No.</i>	<i>Description</i>	<i>Qty.</i>
1	01.0001.0252GT	SCREW M8X16 UNI 5739 8.8 ZN .....	4
2	01.4032.0003GT	Spring Washer D 8 ZN .....	4
3	01.0031.0299GT	FLAT WASHER D8 UNI 6593 ZN .....	4
4	51.0903.5193GT	Front Grille .....	1

Silverhorn.co.uk



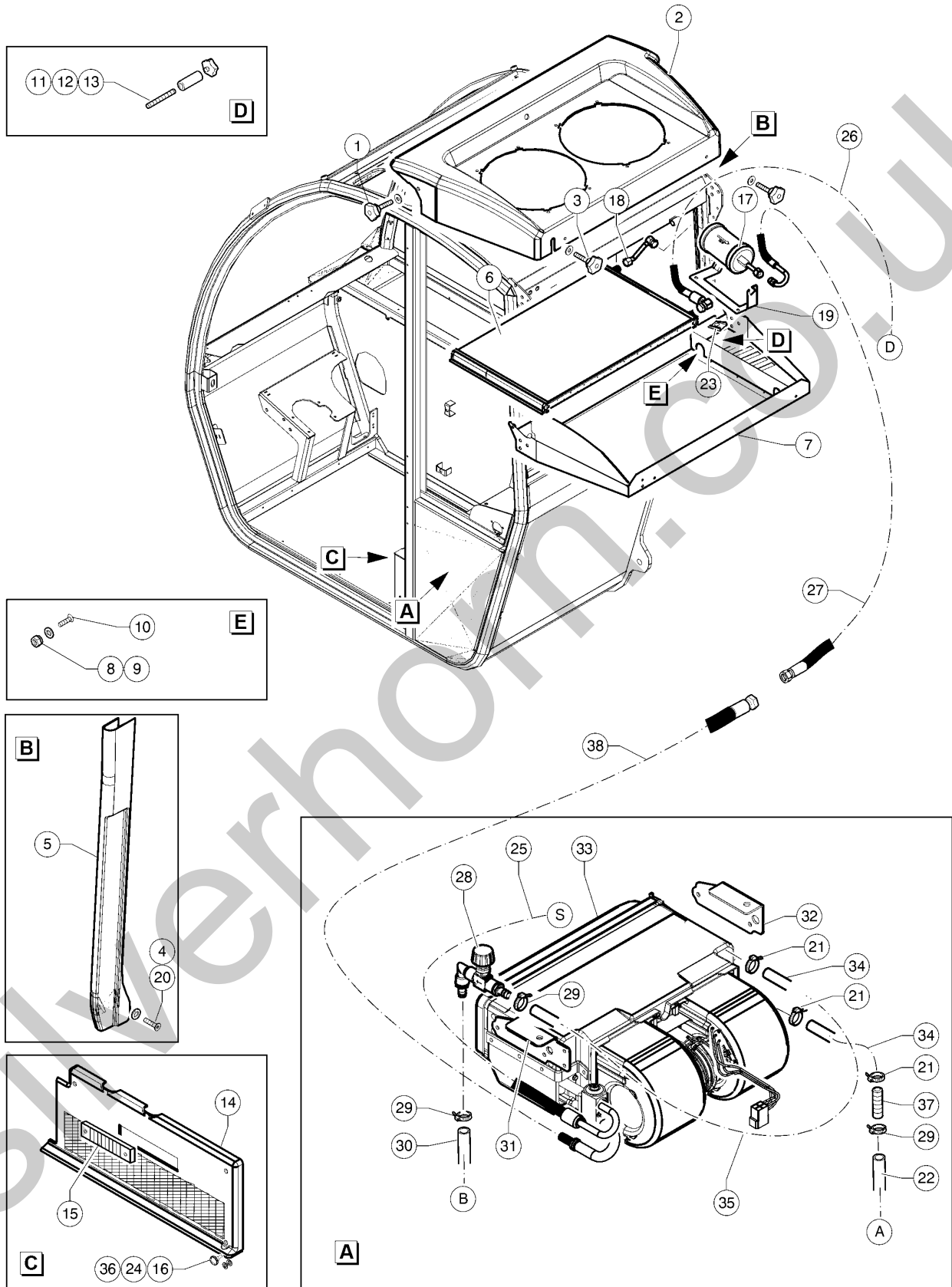
808.1 Rear Proximity Alarm



808.1 Rear Proximity Alarm

Item	Part No.	Description	Qty.
1	55.0602.1095GT	WIRING .....	1
2	51.0811.4872GT	SUPPORT .....	1
3	1257987GT	SENSOR,REAR PROXIMITY ALARM .....	1
4	01.0001.1538GT	SCREW M5X16 UNI5737 8.8 ZN .....	4
5	01.0031.0053GT	FLAT WASHER D5 UNI 6592 ZN .....	8
6	01.0023.0052GT	STOP NUT M5 UNI 7473 6S ZN .....	8
7	1257988GT	DISPLAY,LED,REAR PROX ALARM .....	1
8	51.0811.4875GT	DISPLAY SUPPORT .....	1
9	01.4003.0037GT	SCREW M5X20 UNI 5931 8.8 ZN .....	4

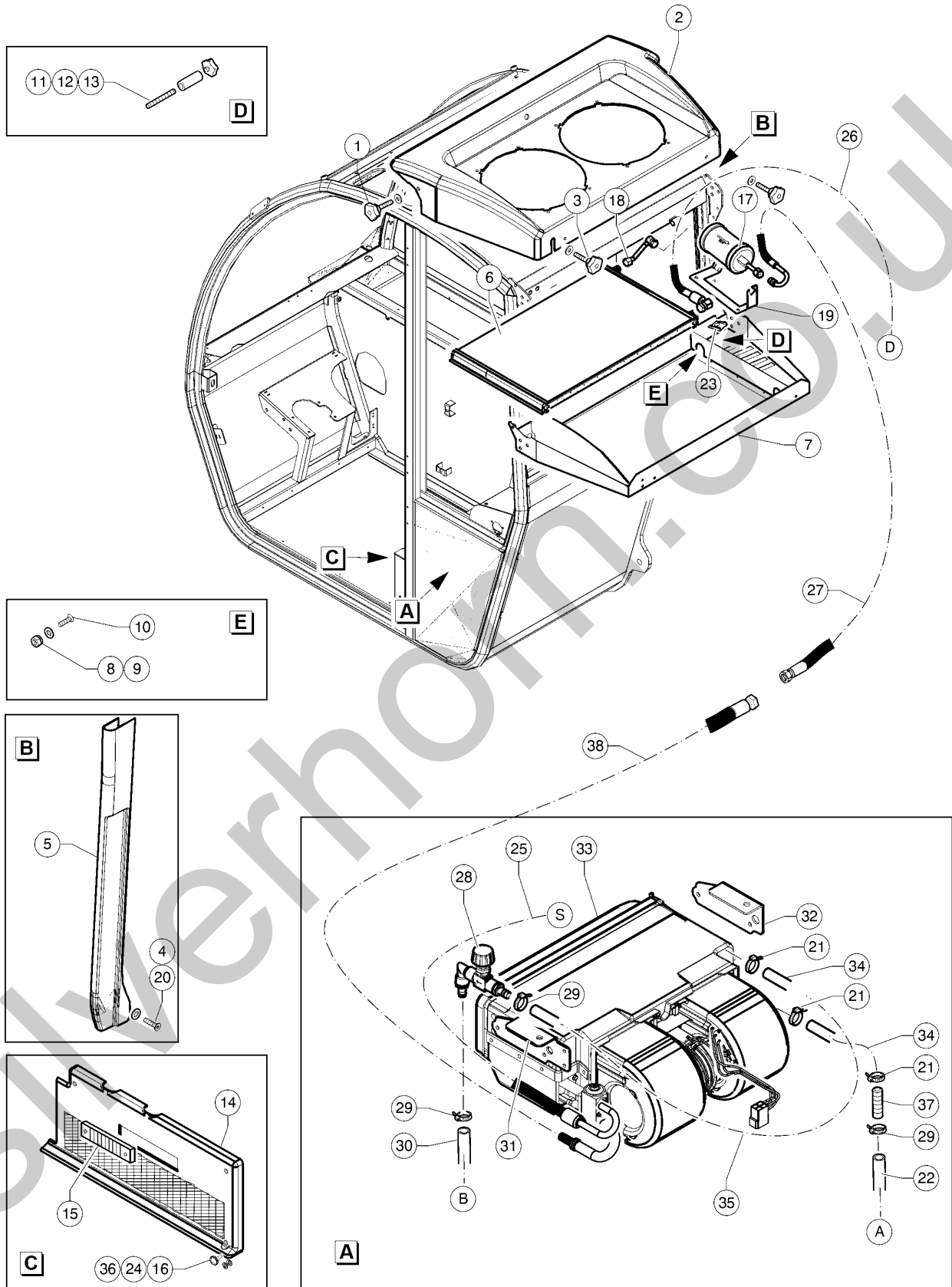
809.1 Air Conditioning - Part 1





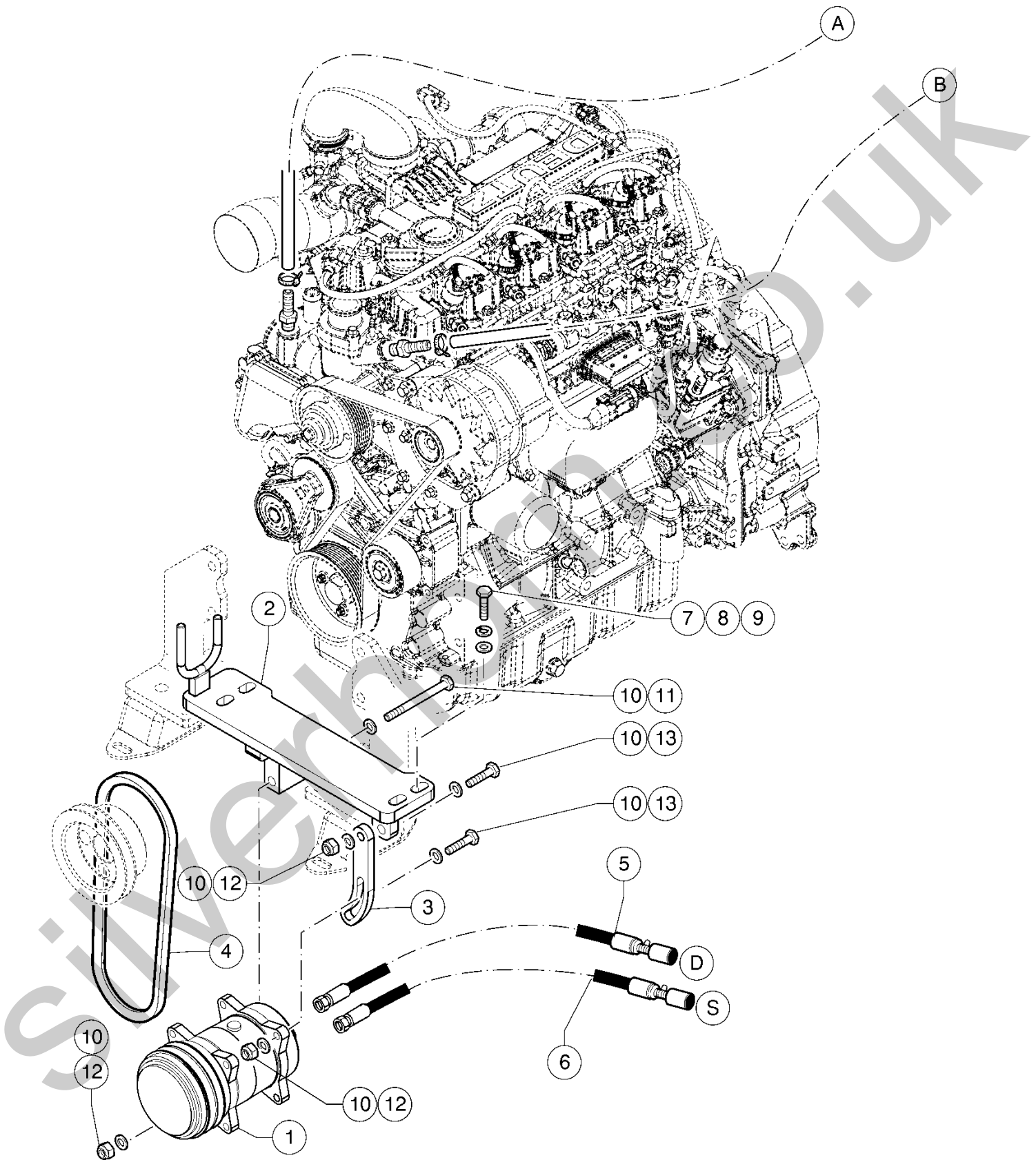
Item	Part No.	Description	Qty.
1	07.0723.0557GT	Manual Screw M6x25 .....	3
2	07.0723.0721GT	COVER .....	1
3	07.0723.0090GT	BALL-GRIP .....	2
4	07.0723.0074GT	WASHER .....	3
5	07.0723.0736GT	COVER .....	1
6	07.0723.0737GT	CONDENSER .....	1
7	07.0723.0766GT	CONDENSER ASSY .....	1
8	07.0723.0232GT	Plain Washer D8x16 UNI 6592 .....	6
9	07.0723.0181GT	Nut M8 UNI 7473 .....	6
10	07.0723.0176GT	SCREW,TSPEI M8X25 .....	4
11	07.0723.0698GT	Female Manual Screw M6 .....	1
12	07.0723.0708GT	Bushing D10XH30XD6 ZNB .....	1
13	07.0723.0709GT	Pin M6X60 ZN .....	1
14	07.0723.0767GT	COVER ASSY .....	1
15	07.0723.0371GT	Air Inlet .....	1
16	07.0723.0175GT	SCREW, M6X20 DIN 933 YZ HCS .....	7
17	07.0723.0549GT	Gas Filter .....	1
18	07.0723.0768GT	PIPE FITTING .....	1
19	07.0723.0769GT	FILTER SUPPORT .....	1
20	07.0723.0039GT	SCREW,PPH SMS 10X3/4ZAKEG .....	3
21	07.0723.0079GT	Clamp 16/27 .....	4
22	07.0723.0753GT	ENGINE PIPE .....	1
23	07.0723.0743GT	PLATE .....	3
24	07.0723.0076GT	Plain Washer D6x18 .....	5
25	07.0723.0770GT	HOSE 5/8" .....	1
26	07.0723.0771GT	HOSE 13/32" .....	1
27	07.0723.0772GT	HOSE 5/16" .....	1
28	07.0723.0658GT	Heater Valve .....	1

809.1 Air Conditioning - Part 1



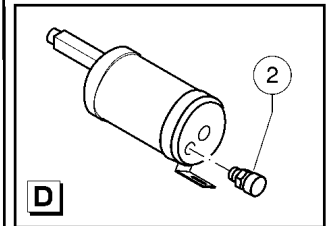
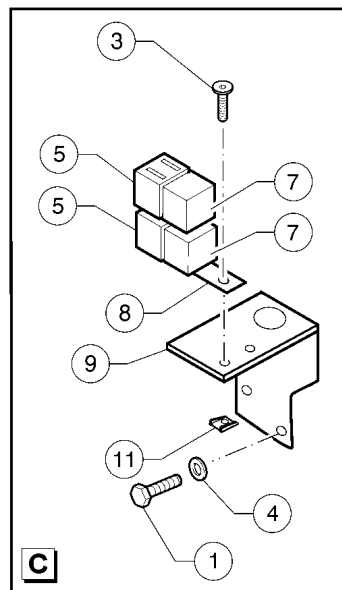
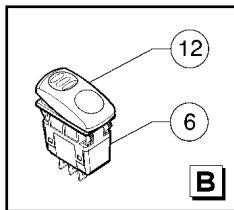
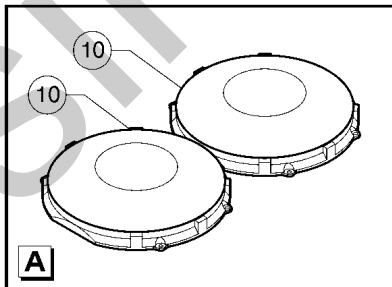
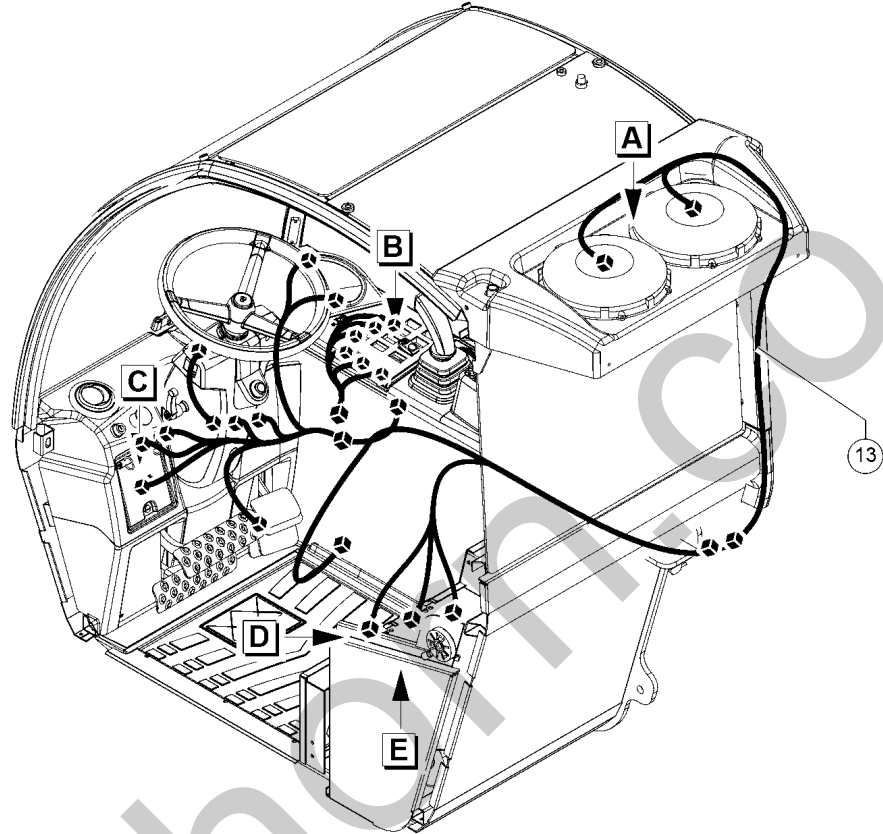
<i>Item</i>	<i>Part No.</i>	<i>Description</i>	<i>Qty.</i>
29	07.0723.0520GT	Clamp 12/18 .....	4
30	07.0723.0747GT	PIPE .....	1
31	07.0723.0748GT	LEFT BRACKET EVAPORATOR .....	1
32	07.0723.0749GT	RIGHT BRACKET EVAPORATOR .....	1
33	07.0723.0773GT	EVAPORATOR GROUP .....	1
34	07.0723.0751GT	PIPE D15X23 10 BAR .....	2
35	07.0723.0752GT	PIPE .....	1
36	07.0723.0173GT	Washer D6X12MM .....	4
37	07.0723.0555GT	Pipe Fitting .....	2
38	07.0723.0774GT	HOSE 5/16" .....	1

810.1 Air Conditioning - Part 2



Item	Part No.	Description	Qty.
1	56.0014.0133GT	Compressor A/C .....	1
2	51.0811.4839GT	COMPRESSOR SUPPORT .....	1
3	51.0811.4840GT	SUPPORT .....	1
4	09.0803.0869GT	BELT A36,5 13 X 925 .....	1
5	09.0805.0213GT	HOSE .....	1
6	09.0805.0230GT	HOSE .....	1
7	01.0031.0299GT	FLAT WASHER D8 UNI 6593 ZN .....	1
8	01.4032.0003GT	Spring Washer D 8 ZN .....	1
9	01.0001.0256GT	SCREW M8X25 UNI 5739 8.8 ZN .....	1
10	01.4032.0004GT	WASHER,LOCK,M10,DIN127 .....	6
11	01.0001.0317GT	SCREW M10X130 UNI 5737 8.8 ZN .....	1
12	01.0023.0055GT	Stop Nut M10 UNI 7473 6S ZN .....	3
13	01.0001.0358GT	SCREW M10X40 UNI 5739 8.8 ZN .....	2

811.1 Air Conditioning - Part 3



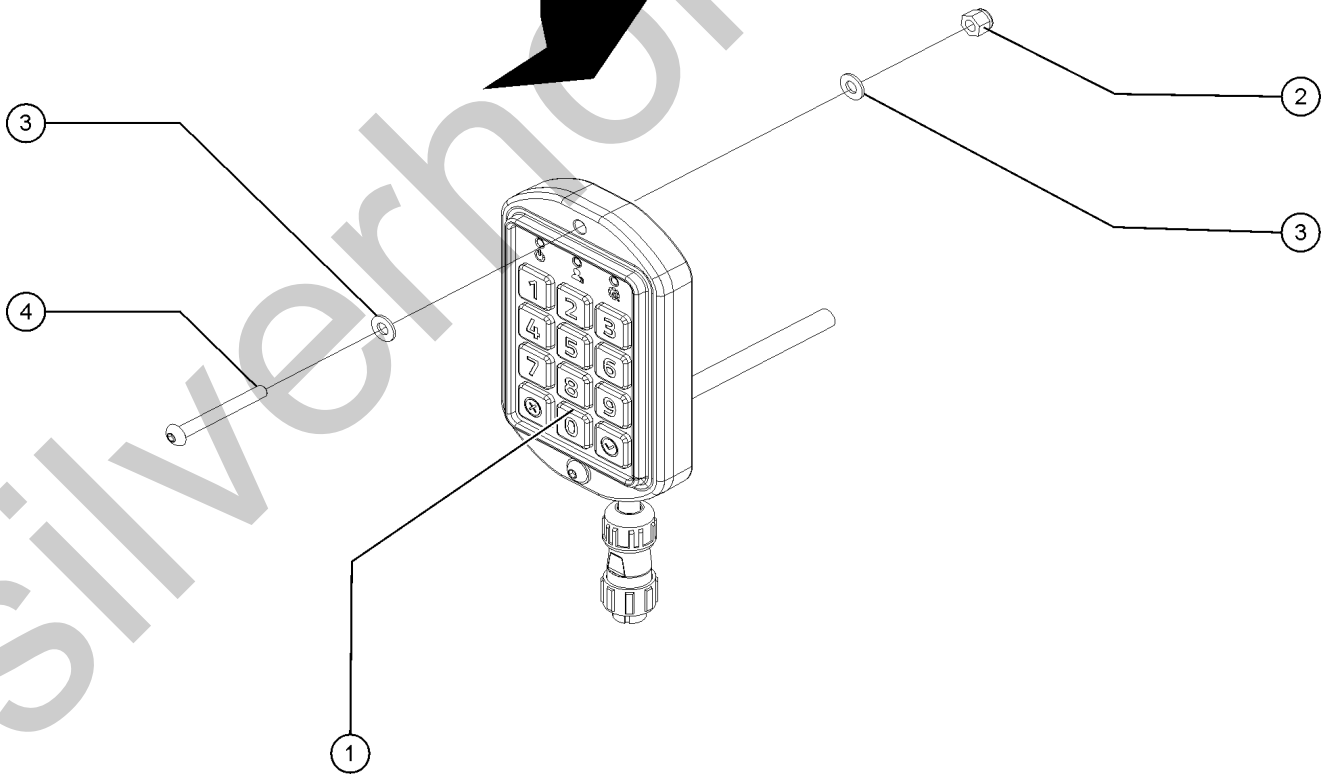
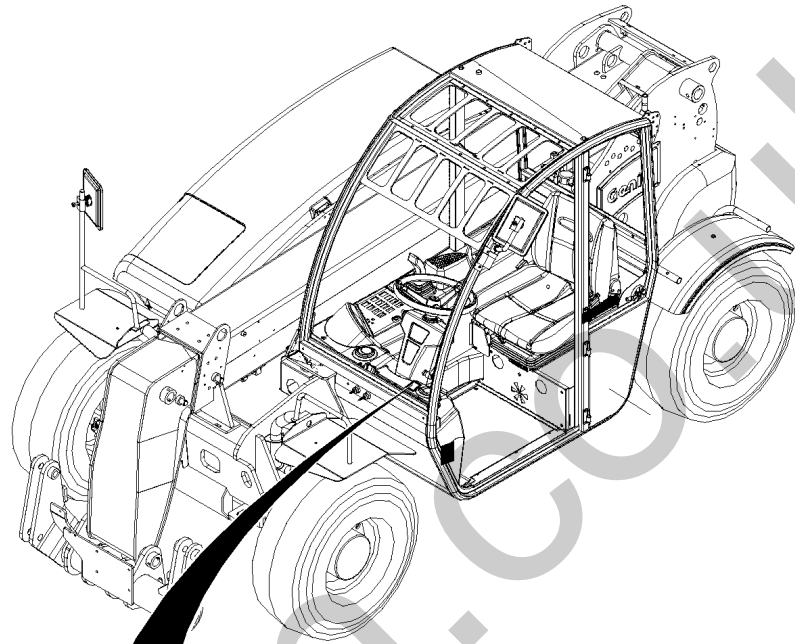
811.1 Air Conditioning - Part 3

Item	Part No.	Description	Qty.
1	07.0723.0182GT	Screw .....	2
2	07.0723.0775GT	PRESSURE SWITCH .....	1
3	01.4006.0006GT	Screw TSPEI M5X16 UNI 5933 10.9 ZN .....	2
4	07.0723.0232GT	Plain Washer D8x16 UNI 6592 .....	2
5	07.0703.0188GT	RELAY HOLDER .....	2
6	56.0017.0048GT	SWITCH .....	1
7	07.0703.0486GT	RELAY .....	2
8	56.0005.0017GT	Relay Support Bracket .....	1
9	07.0723.0494GT	SUPPORT .....	1
10	07.0723.0756GT	FAN .....	2
11	07.0723.0743GT	PLATE .....	1
12	56.0017.0053GT	Air Condition Switch Cover .....	1
13	55.0602.1169GT	Air Condition Harness .....	1

Silverhorn.CO.UK



812.1 Access Manager Option





<i>Item</i>	<i>Part No.</i>	<i>Description</i>	<i>Qty.</i>
1	1296895GT	KEYPAD, ACCESS MANAGEMENT, LIFT CONNECT .....	1
1-	1305083GT	HARNESS, ACCESS MANAGEMENT, 8" NOT SHOWN .....	1
1-	1273629GT	WIRE CLAMP, ADHESIVE, ADJUSTABLE, 7/16" NOT SHOWN .....	2
2	1283019GT	NUT,NYLOCK,M4-0.7,DIN985,8,ZAB .....	2
3	825357GT	WASHER,FLAT,M4,DIN125,ZAB .....	4
4	1300832GT	SCREW, BHC, M4-0.7X35, 10.9,ZAB .....	2

Silverhorn.CO.UK

<u>Part no.</u>	<u>Page Number</u>	<u>Part no.</u>	<u>Page Number</u>	<u>Part no.</u>	<u>Page Number</u>
01.0001.0011GT	191	01.0001.1465GT	23, 21, 33, 11, 11,	01.4001.0003GT	131
04.0607.0842GT	161	01.0001.1476GT	187...	01.4001.0006GT	21
04.0607.0864GT	161	01.0001.1482GT	29	01.4001.0008GT	123, 127
04.4239.0013GT	147, 149	01.0001.1538GT	33	01.4001.0012GT	123
06.0401.1514GT	161	01.0001.1557GT	215	01.4001.0020GT	161
1317919GT	191	01.0001.1557GT	83, 89, 95	01.4001.0025GT	19
1317921GT	191	01.0002.0000GT	99, 111	01.4001.0045GT	19, 83, 89, 95
01.0001.0102GT	191	01.0003.0155GT	23, 29	01.4001.0057GT	23
01.0001.0104GT	127, 201	01.0003.0157GT	133	01.4001.0061GT	99
01.0001.0106GT	169	01.0003.0158GT	133	01.4001.0078GT	19, 23, 27
01.0001.0154GT	77, 111	01.0003.0162GT	203	01.4001.0106GT	29
01.0001.0156GT	19, 127	01.0003.0203GT	25, 173, 175, 179	01.4001.0164GT	115, 119
01.0001.0206GT	131	01.0003.0208GT	131	01.4001.0180GT	161
01.0001.0207GT	151, 153, 155	01.0003.0210GT	73	01.4001.0212GT	25
01.0001.0209GT	123, 181	01.0003.0255GT	83, 89, 95, 171	01.4001.0216GT	187, 189
01.0001.0211GT	137	01.0003.0941GT	103	01.4003.0000GT	125
01.0001.0217GT	25	01.0003.0959GT	73	01.4003.0012GT	31
01.0001.0252GT	21, 73, 125, 203, 213	01.0019.0103GT	19	01.4003.0036GT	205
01.0001.0254GT	1, 85, 91, 95, 145, 147...	01.0019.0104GT	201	01.4003.0037GT	215
01.0001.0256GT	79, 209, 221	01.0019.0105GT	71, 99, 109	01.4003.0041GT	125
01.0001.0257GT	23, 27, 79	01.0023.0052GT	215	01.4006.0001GT	27
01.0001.0258GT	83, 89, 95, 133	01.0023.0053GT	23, 27, 31, 33, 71, 77...	01.4006.0002GT	111
01.0001.0260GT	191	01.0023.0054GT	23, 27, 13, 123, 121,	01.4006.0004GT	125
01.0001.0303GT	71	01.0023.0055GT	137	01.4006.0006GT	223
01.0001.0304GT	23	01.0023.0056GT	21, 33, 81, 81, 93,	01.4006.0011GT	23, 27
01.0001.0308GT	79, 137	01.0023.0056GT	129...	01.4006.0013GT	123
01.0001.0317GT	221	01.0023.0057GT	123	01.4019.0004GT	129
01.0001.0353GT	33	01.0023.0058GT	101, 111	01.4019.0021GT	33
01.0001.0355GT	31, 81, 81, 93, 123, 203	01.0023.0060GT	25	01.4023.0010GT	27
01.0001.0356GT	29, 123	01.0023.0062GT	23	01.4031.0001GT	101, 111
01.0001.0357GT	123	01.0031.0053GT	83, 89, 95, 215	01.4031.0003GT	71
01.0001.0358GT	221	01.0031.0054GT	29, 11, 121, 109, 181,	01.4031.0004GT	71
01.0001.0401GT	157, 159	01.0031.0054GT	189...	01.4032.0000GT	19
01.0001.0405GT	21	01.0031.0055GT	23, 27, 73, 77, 85, 91...	01.4032.0001GT	83, 89, 95
01.0001.0409GT	129	01.0031.0056GT	23, 31, 77, 99, 111	01.4032.0002GT	19, 29, 77, 127, 201
01.0001.0466GT	131	01.0031.0057GT	83, 89, 95	01.4032.0003GT	21, 27, 29, 71, 75, 79...
01.0001.0506GT	81, 87, 93	01.0031.0058GT	83, 89, 95	01.4032.0004GT	27, 31, 71, 73, 79, 81...
01.0001.0508GT	81, 83, 87, 89, 93, 95	01.0031.0059GT	21, 83, 89, 95, 111	01.4032.0005GT	81, 81, 93, 151, 159,
01.0001.0606GT	83, 89, 95	01.0031.0061GT	127	01.4032.0006GT	161
01.0001.0659GT	101, 111	01.0031.0062GT	21	01.4032.0006GT	83, 89, 95
01.0001.0703GT	19	01.0031.0063GT	23	01.4032.0007GT	19
01.0001.1458GT	23	01.0031.0151GT	21, 33	01.4032.0009GT	25
		01.0031.0298GT	19, 23, 21, 111, 109,	01.4032.0011GT	31
		01.0031.0299GT	201		
		01.0031.0301GT	21, 29, 71, 75, 77, 83...		
			29, 33, 11, 13, 123,		
			203		

<u>Part no.</u>	<u>Page Number</u>	<u>Part no.</u>	<u>Page Number</u>	<u>Part no.</u>	<u>Page Number</u>
01.4041.0005GT	129	04.0607.0124GT	137, 139, 141	04.4238.0112GT	81, 87
02.0117.0101GT	137	04.0607.0131GT	173, 175, 179, 203	04.4239.0002GT	203
02.0117.0119GT	125	04.0607.0132GT	203	04.4239.0004GT	131
02.4102.0012GT	127	04.0607.0139GT	167	04.4239.0083GT	145
04.0214.0035GT	141	04.0607.0141GT	137	04.4239.0156GT	131
04.0220.0051GT	71	04.0607.0142GT	145, 147, 149	04.4239.0157GT	131
04.0220.0053GT	33	04.0607.0143GT	161	04.4239.0159GT	131
04.0220.0055GT	31	04.0607.0153GT	151, 153, 155, 173, 175, 179	04.4239.0160GT	131
04.0220.0063GT	31	04.0607.0158GT	157, 159	04.4240.0052GT	169, 171
04.0227.0000GT	77	04.0607.0163GT	205	04.4240.0075GT	203
04.0227.0051GT	73, 85, 91, 97, 199	04.0607.0178GT	169	05.0401.0016GT	167
04.0227.0054GT	173, 175, 179	04.0607.0179GT	145, 147, 149	05.0401.0017GT	173, 175, 179
04.0227.0058GT	71	04.0607.0180GT	173, 175, 179	05.4309.0001GT	173
04.0227.0068GT	71	04.0607.0196GT	145, 147, 149	05.4309.0002GT	173, 175, 179
04.0227.0144GT	33	04.0607.0236GT	169	05.4329.0003GT	173, 175, 179
04.0227.0503GT	73	04.0607.0237GT	169	06.0401.0123GT	171
04.0600.0017GT	203	04.0607.0793GT	157, 159, 161	06.0401.0219GT	157, 159
04.0600.0046GT	145, 147, 149	04.0607.0813GT	161	06.0401.1503GT	157, 159, 161
04.0600.0078GT	149	04.0607.0852GT	151, 153, 155	06.0401.1513GT	163
04.0600.0087GT	127	04.0607.0864GT	145, 147	06.0442.0054GT	173, 175, 179
04.0600.0107GT	205	04.0607.0865GT	161	06.0442.0101GT	167
04.0600.0228GT	127	04.0607.0869GT	127	06.0442.0103GT	141
04.0602.0613GT	205	04.0607.0870GT	157, 159	06.0442.0117GT	71
04.0602.0615GT	203	04.0607.0871GT	157, 159	06.0442.0119GT	173, 175, 179
04.0605.0112GT	203	04.4210.0016GT	151, 153, 155, 177, 179	06.0442.0120GT	31
04.0605.0113GT	203	04.4210.0018GT	127, 205	06.0442.0122GT	31, 205
04.0605.0114GT	203	04.4210.0019GT	127, 203	06.0442.0124GT	145, 147, 149
04.0605.0637GT	169	04.4223.0003GT	157, 159	06.0442.0125GT	31
04.0605.1608GT	139	04.4223.0017GT	161	06.0442.0127GT	31
04.0605.1633GT	205	04.4223.0018GT	161	07.0501.0051GT	83, 89, 95
04.0605.1817GT	137	04.4224.0000GT	31	07.0501.0052GT	73
04.0607.0107GT	145, 147, 149, 151, 153, 155...	04.4227.0000GT	77	07.0501.0097GT	73
04.0607.0109GT	143	04.4227.0005GT	137, 139, 141	07.0700.0006GT	31
04.0607.0110GT	167, 169, 203	04.4227.0012GT	199	07.0700.0023GT	11, 31
04.0607.0111GT	137, 139, 141, 145, 169	04.4227.0016GT	145, 147, 149	07.0700.0028GT	31
04.0607.0112GT	203	04.4227.0038GT	171	07.0700.0035GT	77
04.0607.0113GT	137, 165, 167, 169	04.4227.0049GT	77	07.0700.0040GT	11, 77
04.0607.0114GT	151, 153, 155, 203	04.4235.0069GT	157, 159	07.0700.0041GT	11, 77
04.0607.0115GT	151, 153, 155	04.4236.0029GT	181	07.0700.0051GT	33
04.0607.0117GT	169	04.4236.0124GT	135	07.0700.0052GT	77
04.0607.0121GT	171	04.4237.0010GT	121	07.0700.0053GT	79
04.0607.0122GT	137	04.4238.0059GT	81, 87, 93	07.0701.0211GT	83, 89, 95

<u>Part no.</u>	<u>Page Number</u>	<u>Part no.</u>	<u>Page Number</u>	<u>Part no.</u>	<u>Page Number</u>
07.0701.0316GT	203	07.0704.0184GT	135	07.0709.1098GT	39, 59
07.0701.0317GT	205	07.0704.0407GT	135	07.0709.1100GT	53, 69
07.0701.0344GT	171	07.0704.0415GT	135	07.0709.1101GT	51, 67
07.0703.0060GT	185	07.0704.0473GT	121	07.0709.1105GT	59
07.0703.0061GT	185	07.0704.0490GT	181	07.0709.1107GT	59
07.0703.0068GT	185	07.0705.0094GT	135	07.0709.1109GT	47
07.0703.0071GT	183	07.0705.0095GT	135	07.0709.1110GT	55
07.0703.0080GT	183	07.0705.0097GT	135	07.0709.1111GT	47
07.0703.0148GT	183	07.0705.0098GT	135	07.0709.1112GT	55
07.0703.0188GT	223	07.0705.0099GT	135	07.0709.1113GT	51, 53, 67, 69
07.0703.0189GT	185	07.0705.0100GT	135	07.0709.1114GT	39, 59
07.0703.0229GT	185	07.0705.0101GT	131	07.0709.1115GT	59
07.0703.0305GT	209	07.0706.0043GT	171	07.0709.1116GT	59
07.0703.0429GT	113, 117	07.0706.0050GT	81, 87	07.0709.1117GT	47
07.0703.0472GT	113, 117	07.0706.0053GT	83, 89	07.0709.1118GT	55
07.0703.0485GT	183	07.0706.0054GT	83, 89	07.0709.1119GT	55, 63
07.0703.0486GT	223	07.0706.0061GT	99	07.0709.1120GT	51, 53, 67, 69
07.0703.0487GT	183	07.0709.1067GT	55	07.0709.1121GT	47
07.0703.0508GT	99, 109	07.0709.1068GT	39, 55, 59	07.0709.1122GT	59
07.0703.0509GT	99, 109	07.0709.1069GT	51, 53, 67, 69	07.0709.1123GT	51, 53, 67, 69
07.0703.0714GT	185	07.0709.1070GT	49	07.0709.1124GT	39, 59
07.0704.0023GT	181	07.0709.1071GT	39, 49, 51, 53, 61, 67...	07.0709.1125GT	55, 63
07.0704.0032GT	181	07.0709.1072GT	47	07.0709.1127GT	51, 53, 67, 69
07.0704.0033GT	181	07.0709.1073GT	47	07.0709.1128GT	51, 53, 67
07.0704.0035GT	181	07.0709.1074GT	47	07.0709.1129GT	47
07.0704.0038GT	181	07.0709.1077GT	39, 59	07.0709.1130GT	43, 63
07.0704.0042GT	181	07.0709.1078GT	51, 53, 67, 69	07.0709.1131GT	51, 53, 67, 69
07.0704.0045GT	181	07.0709.1079GT	51, 53, 67, 69	07.0709.1132GT	51, 53, 67, 69
07.0704.0078GT	181	07.0709.1080GT	39, 51, 53, 61, 67, 69	07.0709.1133GT	51, 53, 67, 69
07.0704.0117GT	121	07.0709.1081GT	55	07.0709.1134GT	43, 63
07.0704.0118GT	121	07.0709.1083GT	39, 59	07.0709.1135GT	51, 53, 67, 69
07.0704.0119GT	121	07.0709.1084GT	47	07.0709.1139GT	55
07.0704.0133GT	121	07.0709.1085GT	41, 59	07.0709.1140GT	49
07.0704.0134GT	121	07.0709.1087GT	61	07.0709.1143GT	49, 55
07.0704.0136GT	121	07.0709.1088GT	39, 61	07.0709.1144GT	47
07.0704.0137GT	121	07.0709.1089GT	47	07.0709.1148GT	39, 51, 53, 59, 67, 69
07.0704.0138GT	121	07.0709.1091GT	49	07.0709.1149GT	51, 53, 67, 69
07.0704.0143GT	135	07.0709.1092GT	51, 53, 67, 69	07.0709.1151GT	51, 53, 67, 69
07.0704.0144GT	181	07.0709.1093GT	59	07.0709.1152GT	51, 53, 67, 69
07.0704.0145GT	181	07.0709.1094GT	49	07.0709.1153GT	51, 53, 67, 69
07.0704.0169GT	121	07.0709.1095GT	55, 63	07.0709.1154GT	51, 53, 67, 69
07.0704.0173GT	121	07.0709.1096GT	67, 69	07.0709.1160GT	43, 63

<u>Part no.</u>	<u>Page Number</u>	<u>Part no.</u>	<u>Page Number</u>	<u>Part no.</u>	<u>Page Number</u>
07.0709.1161GT	55, 63	07.0709.1331GT	43	07.0722.0037GT	131
07.0709.1162GT	43, 55, 63	07.0709.1332GT	39	07.0722.0053GT	83, 89, 95
07.0709.1163GT	43, 55, 63	07.0709.1333GT	45	07.0723.0010GT	199
07.0709.1164GT	43, 55, 63	07.0709.1334GT	39	07.0723.0024GT	103, 109
07.0709.1165GT	43, 55, 63	07.0709.1335GT	39	07.0723.0037GT	99
07.0709.1166GT	55, 63	07.0709.1336GT	49	07.0723.0039GT	113, 117, 217
07.0709.1167GT	43, 63	07.0709.1337GT	49	07.0723.0040GT	109
07.0709.1168GT	55	07.0709.1338GT	49	07.0723.0042GT	27, 103, 109, 111
07.0709.1169GT	55	07.0709.1339GT	49	07.0723.0054GT	101, 111
07.0709.1170GT	39	07.0709.1340GT	39	07.0723.0055GT	101, 111
07.0709.1171GT	55	07.0709.1341GT	39	07.0723.0057GT	105
07.0709.1172GT	39, 55, 59	07.0709.1343GT	41, 59	07.0723.0059GT	107
07.0709.1177GT	39, 55, 61	07.0709.1344GT	51, 53	07.0723.0074GT	217
07.0709.1178GT	55	07.0709.1346GT	61	07.0723.0076GT	109, 199, 217
07.0709.1179GT	39, 59	07.0709.1347GT	63	07.0723.0079GT	217
07.0709.1180GT	59	07.0709.1348GT	59, 65	07.0723.0089GT	27, 29, 77
07.0709.1181GT	39, 59	07.0709.1349GT	59	07.0723.0090GT	217
07.0709.1182GT	59	07.0709.1350GT	51, 53, 67, 69	07.0723.0092GT	173, 175, 179
07.0709.1183GT	41, 59	07.0709.1351GT	51, 53, 67, 69	07.0723.0104GT	99, 111, 113, 117
07.0709.1184GT	39, 61	07.0709.1370GT	39	07.0723.0108GT	199
07.0709.1185GT	39, 61	07.0709.1372GT	45	07.0723.0109GT	199
07.0709.1186GT	39, 61	07.0709.1373GT	47	07.0723.0114GT	99, 103, 111
07.0709.1187GT	39, 59	07.0709.1377GT	55, 59	07.0723.0144GT	103
07.0709.1188GT	39	07.0712.0314GT	71	07.0723.0152GT	105
07.0709.1189GT	49	07.0712.0316GT	71	07.0723.0155GT	103
07.0709.1197GT	51, 53, 67, 69	07.0712.0317GT	73	07.0723.0157GT	105
07.0709.1198GT	39, 57, 61	07.0712.0318GT	73	07.0723.0161GT	103
07.0709.1200GT	59	07.0712.0319GT	73	07.0723.0165GT	99
07.0709.1201GT	49	07.0712.0320GT	71	07.0723.0168GT	99, 109
07.0709.1212GT	39, 61	07.0712.0321GT	73	07.0723.0169GT	99, 111
07.0709.1215GT	43, 63	07.0712.0322GT	71	07.0723.0172GT	105
07.0709.1216GT	43, 63	07.0712.0323GT	73	07.0723.0173GT	105, 219
07.0709.1218GT	55	07.0713.0061GT	81, 87, 93	07.0723.0175GT	217
07.0709.1219GT	55	07.0713.0063GT	93	07.0723.0176GT	103, 217
07.0709.1220GT	55	07.0713.0075GT	81, 87	07.0723.0181GT	105, 217
07.0709.1221GT	55	07.0713.0076GT	81, 87, 93	07.0723.0182GT	223
07.0709.1325GT	41	07.0721.0019GT	131, 137	07.0723.0185GT	105
07.0709.1326GT	41, 59	07.0721.0117GT	137	07.0723.0193GT	101
07.0709.1327GT	51, 53, 67, 69	07.0721.0120GT	131	07.0723.0194GT	199
07.0709.1328GT	51, 53, 67, 69	07.0721.0121GT	131	07.0723.0198GT	109
07.0709.1329GT	41, 59	07.0721.0122GT	131	07.0723.0202GT	107
07.0709.1330GT	41	07.0721.0123GT	131	07.0723.0221GT	101

<u>Part no.</u>	<u>Page Number</u>	<u>Part no.</u>	<u>Page Number</u>	<u>Part no.</u>	<u>Page Number</u>
07.0723.0223GT	99	07.0723.0640GT	115, 119	07.0723.0751GT	219
07.0723.0226GT	101	07.0723.0646GT	105	07.0723.0752GT	219
07.0723.0229GT	99	07.0723.0647GT	107	07.0723.0753GT	217
07.0723.0232GT	107, 217, 223	07.0723.0649GT	101	07.0723.0756GT	223
07.0723.0236GT	103	07.0723.0651GT	101, 109	07.0723.0757GT	199
07.0723.0290GT	105	07.0723.0652GT	101, 109	07.0723.0760GT	103
07.0723.0345GT	103	07.0723.0654GT	101, 109	07.0723.0761GT	199
07.0723.0371GT	217	07.0723.0655GT	103	07.0723.0762GT	199
07.0723.0410GT	103	07.0723.0658GT	199, 217	07.0723.0763GT	199
07.0723.0421GT	105	07.0723.0667GT	109	07.0723.0764GT	103
07.0723.0426GT	103	07.0723.0672GT	105	07.0723.0766GT	217
07.0723.0427GT	103	07.0723.0674GT	105	07.0723.0767GT	217
07.0723.0428GT	103	07.0723.0675GT	103	07.0723.0768GT	217
07.0723.0429GT	103	07.0723.0678GT	113, 117	07.0723.0769GT	217
07.0723.0433GT	99, 103	07.0723.0683GT	105	07.0723.0770GT	217
07.0723.0434GT	103	07.0723.0684GT	103	07.0723.0771GT	217
07.0723.0441GT	103	07.0723.0693GT	199	07.0723.0772GT	217
07.0723.0442GT	107	07.0723.0694GT	101, 199	07.0723.0773GT	219
07.0723.0450GT	99	07.0723.0696GT	99	07.0723.0774GT	219
07.0723.0451GT	105, 109	07.0723.0698GT	217	07.0723.0775GT	223
07.0723.0452GT	105, 109	07.0723.0708GT	217	07.0723.0776GT	199
07.0723.0453GT	105, 109	07.0723.0709GT	217	07.0723.0777GT	109
07.0723.0454GT	101, 109	07.0723.0712GT	101, 109	07.0726.0043GT	125
07.0723.0456GT	105, 109	07.0723.0717GT	99	07.0730.0080GT	173, 175, 179
07.0723.0459GT	103	07.0723.0719GT	103	07.0730.0081GT	173, 175, 179
07.0723.0491GT	99	07.0723.0720GT	99	07.0730.0082GT	173, 175, 179
07.0723.0494GT	223	07.0723.0721GT	217	07.0730.0083GT	173, 175, 179
07.0723.0498GT	101	07.0723.0722GT	105	07.0730.0084GT	173, 175, 179
07.0723.0505GT	107	07.0723.0725GT	105	07.0730.0085GT	173, 175, 179
07.0723.0506GT	107	07.0723.0727GT	107	07.0730.0086GT	173, 175, 179
07.0723.0516GT	99	07.0723.0728GT	105	07.0738.0004GT	35
07.0723.0520GT	219	07.0723.0730GT	107	07.4501.0067GT	11, 83, 89, 95
07.0723.0522GT	101	07.0723.0731GT	107	07.4501.0285GT	11, 83, 89, 95
07.0723.0549GT	217	07.0723.0732GT	107	07.4501.0289GT	73
07.0723.0555GT	219	07.0723.0733GT	107	07.4501.0291GT	85, 91, 97
07.0723.0557GT	199, 217	07.0723.0734GT	199	07.4501.0303GT	85, 91, 97
07.0723.0627GT	99, 107, 109	07.0723.0736GT	217	07.4501.0304GT	83, 89, 95
07.0723.0628GT	115, 119	07.0723.0737GT	217	07.4501.0400GT	79
07.0723.0629GT	115, 119	07.0723.0743GT	217, 223	07.4529.0027GT	173
07.0723.0630GT	105, 109	07.0723.0747GT	219	07.4529.0082GT	133
07.0723.0638GT	105, 115, 119	07.0723.0748GT	219	07.4529.0111GT	169
07.0723.0639GT	113, 117	07.0723.0749GT	219	07.4529.0158GT	203

<u>Part no.</u>	<u>Page Number</u>	<u>Part no.</u>	<u>Page Number</u>	<u>Part no.</u>	<u>Page Number</u>
07.4529.0209GT	81, 87, 93	09.4601.0072GT	81, 87, 93	09.4629.0018GT	35
09.0800.0025GT	137	09.4601.0082GT	81, 87, 93	09.4632.0109GT	35
09.0803.0000GT	29	09.4604.0047GT	31	09.4632.0110GT	35
09.0803.0012GT	23, 27	09.4604.0069GT	77	09.4635.0014GT	35
09.0803.0026GT	19	09.4604.0073GT	11, 31	09.4635.0054GT	35
09.0803.0043GT	133	09.4604.0076GT	77	09.4636.0037GT	169
09.0803.0060GT	133	09.4610.0025GT	111	09.4636.0040GT	169
09.0803.0062GT	125	09.4610.0038GT	109	09.4636.0041GT	171
09.0803.0088GT	173, 175, 179	09.4610.0043GT	99, 111	09.4636.0042GT	171
09.0803.0232GT	33	09.4610.0044GT	101, 109	09.4656.0019GT	173
09.0803.0352GT	19, 23, 27	09.4610.0045GT	99, 111	09.4656.0020GT	77
09.0803.0357GT	125	09.4610.0056GT	99, 109	09.4661.0002GT	31
09.0803.0406GT	127	09.4610.0057GT	99	09.4661.0014GT	31
09.0803.0418GT	23	09.4618.0205GT	15	09.4661.0016GT	21, 31
09.0803.0421GT	19	09.4618.0643GT	13, 17	09.4661.0020GT	19
09.0803.0510GT	21	09.4618.0644GT	13, 17	09.4661.0021GT	19
09.0803.0516GT	27	09.4618.0776GT	13	09.4661.0022GT	19
09.0803.0518GT	19	09.4618.0801GT	13	09.4670.0022GT	71
09.0803.0523GT	133	09.4618.0802GT	13	09.4670.0027GT	81, 87, 93
09.0803.0540GT	111	09.4618.0803GT	13	09.4670.0030GT	101, 109
09.0803.0568GT	99, 111	09.4618.0804GT	13	09.4670.0031GT	101, 111
09.0803.0571GT	101, 111	09.4618.0805GT	13	51.0113.9112GT	23
09.0803.0572GT	113, 119	09.4618.0806GT	13	51.0201.3943GT	123
09.0803.0616GT	115, 119	09.4618.1025GT	13	51.0201.3973GT	123
09.0803.0667GT	23, 27	09.4618.1622GT	13	51.0400.5018GT	127
09.0803.0685GT	103	09.4618.1634GT	135	51.0600.9323GT	31
09.0803.0815GT	27	09.4618.1680GT	15	51.0600.9334GT	19
09.0803.0828GT	27	09.4618.1688GT	13	51.0800.3800GT	19
09.0803.0869GT	221	09.4618.1690GT	13	51.0803.5700GT	25
09.0803.0871GT	103	09.4618.1691GT	13	51.0811.2000GT	19
09.0803.0910GT	125	09.4618.1738GT	15	51.0811.4008GT	113, 117
09.0803.0914GT	137, 139, 141	09.4618.1742GT	13	51.0811.4009GT	113, 117
09.0804.3462GT	81, 87	09.4618.1774GT	13	51.0811.4131GT	123
09.0805.0070GT	85, 91, 97	09.4618.1775GT	13	51.0811.4230GT	29
09.0805.0119GT	29	09.4618.1867GT	13	51.0811.4236GT	29
09.0805.0166GT	31	09.4618.1999GT	15	51.0811.4240GT	125
09.0805.0171GT	21, 81, 85, 87, 91, 93...	09.4618.2038GT	113, 117	51.0811.4241GT	125
09.0805.0213GT	221	09.4618.2048GT	17	51.0811.4413GT	81, 87, 93
09.0805.0225GT	71	09.4618.2049FRGT	17	51.0811.4414GT	81, 87, 93
09.0805.0226GT	77	09.4618.2054GT	15	51.0811.4490GT	207
09.0805.0230GT	221	09.4627.0018GT	35	51.0811.4527GT	203
09.0806.0062GT	199	09.4627.0034GT	35	51.0811.4532GT	115, 119

<u>Part no.</u>	<u>Page Number</u>	<u>Part no.</u>	<u>Page Number</u>	<u>Part no.</u>	<u>Page Number</u>
51.0811.4537GT	201	52.1200.5300GT	105	54.0000.0258GT	123
51.0811.4552GT	77	52.1200.5519GT	113, 117	54.0000.0259GT	123
51.0811.4553GT	77	52.1200.5521GT	113, 117	54.0000.0260GT	127
51.0811.4554GT	29	52.1200.5522GT	113, 117	54.0000.0261GT	127, 137
51.0811.4617GT	23, 27	52.1200.5523GT	113, 117	54.0000.0262GT	123
51.0811.4641GT	23	52.1200.5525GT	113, 119	54.0000.0263GT	123
51.0811.4642GT	27	52.1200.5526GT	113, 119	54.0000.0264GT	131
51.0811.4643GT	23	52.1200.5527GT	113, 119	54.0001.0081GT	127
51.0811.4665GT	111	52.1200.5528GT	115, 119	54.0001.0087GT	205
51.0811.4704GT	79	52.1200.5547GT	113, 117	54.0001.0088GT	203
51.0811.4706GT	79	52.1200.5548GT	115, 119	54.0004.0133GT	123
51.0811.4715GT	209	52.1200.5550GT	27	54.0100.0002GT	109
51.0811.4716GT	209	53.0000.3823GT	131	54.0100.0005GT	73
51.0811.4717GT	207	53.0100.3230GT	131	54.0100.0017GT	111
51.0811.4718GT	207	53.0300.2219GT	131	54.0100.0027GT	129
51.0811.4722GT	83, 89, 95	53.0400.1817GT	131	54.0100.0093GT	151, 153, 155, 173, 175, 179
51.0811.4763GT	73	53.0500.0604GT	203	54.0100.0099GT	113, 117
51.0811.4839GT	221	53.3001.5500GT	71	54.0100.0127GT	73
51.0811.4840GT	221	53.3001.5700GT	171	54.0100.0135GT	73
51.0811.4841GT	81, 87, 93	53.3001.6744GT	31	54.0100.0151GT	125
51.0811.4872GT	215	53.3001.6747GT	71	54.0100.0152GT	137
51.0811.4875GT	215	53.3001.6749GT	77	54.0100.0153GT	73
51.0811.4941GT	115, 119	53.3001.6753GT	151, 153, 155	54.0100.0154GT	127
51.0811.4951GT	127	53.3001.6789GT	71	54.0101.0015GT	201
51.0811.4954GT	187, 189	53.3001.6792GT	77	54.0200.0000GT	123
51.0903.5046GT	77	53.3001.6798GT	79	54.0200.0001GT	123
51.0903.5050GT	23	53.3001.6806GT	71	54.0201.0073GT	127
51.0903.5057GT	27	53.3001.6851GT	21	54.0202.0004GT	137
51.0903.5062GT	203	53.3200.0088GT	71	54.0202.0006GT	123
51.0903.5125GT	29	53.3301.0005GT	31	54.0705.0037GT	125
51.0903.5187GT	23	53.3302.0016GT	21	54.0705.0038GT	23
51.0903.5193GT	213	53.3402.1800GT	133	54.0705.0047GT	125
51.0903.5205GT	31	53.3402.1900GT	133	54.0705.0048GT	123
51.0903.5270GT	29	53.3402.2000GT	133	54.0705.0049GT	123
51.0903.5272GT	27	53.3402.2100GT	133	54.0705.0069GT	123
51.0903.5273GT	29	53.3402.2200GT	133	55.0208.0147GT	77
51.0903.5304GT	123	53.3402.2300GT	133	55.0403.0046GT	35
51.1000.5218GT	19	53.4000.0050GT	105	55.0403.0081GT	35
51.1301.9152GT	25	54.0000.0027GT	19	55.0403.0082GT	35
51.1301.9236GT	129	54.0000.0235GT	127	55.0403.0088GT	35
52.1100.9131GT	19	54.0000.0256GT	131	55.0403.0089GT	37
52.1100.9132GT	19	54.0000.0257GT	137	55.0403.0090GT	35



<u>Part no.</u>	<u>Page Number</u>	<u>Part no.</u>	<u>Page Number</u>	<u>Part no.</u>	<u>Page Number</u>
55.0403.0093GT	37	56.0010.0036GT	209	48912GT	151, 153, 157, 159
55.0403.0094GT	35	56.0010.0037GT	209	48960GT	145, 147
55.0403.0095GT	37	56.0010.0086GT	33	49164-6700GT	155
55.0409.0213GT	25, 29	56.0010.0087GT	23	82558FRGT	13
55.0511.0001GT	115, 119	56.0012.0027GT	135	82558GT	13
55.0602.0836GT	187, 189, 191	56.0012.0085GT	19	88936GT	157, 159
55.0602.0851GT	211	56.0013.0000GT	31	97602FRGT	17
55.0602.0853GT	211	56.0013.0028GT	31	97602GT	17
55.0602.0854GT	211	56.0014.0133GT	221	97667FRGT	17
55.0602.0981GT	211	56.0016.0183GT	119	97667GT	17
55.0602.1020GT	185	56.0016.0206GT	113, 117	214228GT	11, 83, 89, 95
55.0602.1023GT	185	56.0016.0208GT	169	214418FRGT	17
55.0602.1027GT	201, 207	56.0016.0210GT	113, 117	214418GT	13, 17
55.0602.1032GT	185	56.0017.0015GT	113, 119	215267FRGT	13
55.0602.1095GT	215	56.0017.0035GT	117, 201, 203	215267GT	13
55.0602.1169GT	223	56.0017.0038GT	117	215268FRGT	13
55.0602.1185GT	187, 189	56.0017.0039GT	113, 117	215268GT	13
55.0602.1186GT	187, 189, 191	56.0017.0044GT	113, 117	216559GT	129
55.0602.1187GT	187, 189, 191	56.0017.0045GT	119, 207	216560GT	129
55.0602.1188GT	193, 195	56.0017.0046GT	113, 117	216561GT	129
55.0602.1189GT	193, 195	56.0017.0047GT	113, 117	218715GT	71
55.0700.0166GT	13	56.0017.0048GT	119, 223	231531GT	75
56.0001.0046GT	185	56.0017.0049GT	113, 117	236259GT	83, 89, 95
56.0001.0047GT	185	56.0017.0053GT	119, 223	237598FRGT	13
56.0001.0050GT	185	56.0017.0054GT	117	237598GT	13, 17
56.0001.0051GT	185	56.0017.0063GT	117, 201, 203	237601FRGT	17
56.0002.0001GT	121	56.0017.0124GT	207	237601GT	17
56.0002.0002GT	121	56.0017.0130GT	117	237605FRGT	17
56.0002.0032GT	121	56.0017.0131GT	119	237605GT	17
56.0002.0040GT	121	56.0017.0132GT	113, 117, 207	237971FRGT	17
56.0002.0266GT	185	56.0017.0134GT	185	237971GT	17
56.0002.0351GT	187, 189, 191	56.0017.0141GT	115	634973GT	183
56.0005.0000GT	185	56.0017.0157GT	119	634975GT	185
56.0005.0008GT	183	56.0017.0158GT	119	640985GT	199
56.0005.0017GT	223	56.0021.0078GT	183	640995GT	105
56.0006.9201GT	185	56.0021.0107GT	115, 119	641004GT	105
56.0006.9211GT	185	56.0021.0185GT	187, 189	641019GT	105
56.0008.5216GT	185	56.0021.0187GT	183	641024GT	105
56.0008.5217GT	185	56.0023.0051GT	201	641042GT	101, 103
56.0010.0005GT	101, 109	57.0009.0808GT	11	825015GT	77
56.0010.0034GT	209	58.2513.9083GT	77	825357GT	225
56.0010.0035GT	209	28159GT	17	826000GT	19, 81, 87, 93

<u>Part no.</u>	<u>Page Number</u>	<u>Part no.</u>	<u>Page Number</u>	<u>Part no.</u>	<u>Page Number</u>
826345FRGT	17	1292030-4922GT	169	1297705GT	75
826345GT	17	1292035-3032GT	161	1298023GT	35
900046GT	21	1292232-3544GT	157, 159, 161	1298024GT	35
1254594GT	83, 89, 95	1292233-1575GT	167	1298864-3346GT	157
1254827GT	129	1292233-2756GT	165	1299399GT	35
1257987GT	215	1292233-3544GT	165, 167	1299415GT	73
1257988GT	215	1292233-3741GT	169	1300186GT	83, 89
1258639GT	17	1292233-5119GT	151, 153, 155	1300188GT	81, 87
1260357GT	73	1292236-2205GT	169	1300189GT	85, 91
1263543FRGT	17	1292236-8662GT	169	1300190GT	157, 159
1263543GT	17	1292236-12008GT	169	1300191GT	157, 159
1272242GT	17	1292237-1851GT	151, 153, 155	1300192GT	157, 159, 161
1273075GT	71	1292240-2560GT	167	1300193GT	157, 159
1273629GT	225	1292241-1969GT	167	1300832GT	225
1280819GT	15	1292241-4134GT	151, 153	1301109GT	209
1280820GT	15	1292241GT	173, 175, 179	1301110GT	209
1283019GT	225	1292242-1772GT	167	1303102GT	35
1289520GT	187, 189, 191	1292242-4331GT	167	1303109GT	75
1289561GT	187, 189, 191	1292248-2166GT	145, 147	1303110GT	81, 87, 93
1291624GT	15	1292248-3346GT	159, 161	1303799GT	23
1291858-2756GT	169	1292248-3937GT	159, 161	1303804GT	75
1291858-6497GT	139	1292318-4133GT	161	1305083GT	225
1291858-6693GT	139	1292321-3346GT	151, 153, 155	1310458GT	73
1291858-6890GT	141	1292321-3741GT	153, 155	1310459GT	73
1291858-7087GT	141	1292512GT	15	1311550GT	37
1291858-8662GT	143	1292728-3938GT	165	1311551GT	35
1291858-9056GT	143	1292728-4331GT	165	1312701GT	127
1291908-6496GT	157, 159, 161	1292728GT	173, 175, 179	1314441GT	175
1291908-6890GT	159, 161	1292730-4331GT	137	1314442GT	175, 179
1291988-2166GT	169	1292731GT	173, 175, 179	1314443GT	175, 179
1291994-4331GT	137, 139, 141	1293433GT	21, 83, 89, 95	1315359GT	33
1291997-6103GT	137	1294517-2756GT	157, 159	1316038GT	35
1291998-5906GT	137	1294517-3189GT	157, 159	1316039GT	37
1292004-6693GT	137	1294520-4331GT	157, 159	1316040GT	35
1292005-2166GT	169	1296895GT	225	1316041GT	37
1292010-5119GT	169	1297493GT	21, 85, 91, 97	1316042GT	35
1292016-9646GT	145, 147, 149	1297494GT	21, 85, 91, 97	1316043GT	35, 37
1292017-9843GT	145	1297495GT	19, 85, 91, 97	1316044GT	35
1292017-10040GT	147, 149	1297701GT	81, 87, 93	1316058GT	35
1292018-10237GT	147, 149	1297702GT	81, 87, 93	1316059GT	37
1292020-3071GT	169	1297703GT	73	1316060GT	35
1292022-5906GT	173, 175, 179	1297704GT	73	1316061GT	37

<u>Part no.</u>	<u>Page Number</u>	<u>Part no.</u>	<u>Page Number</u>	<u>Part no.</u>	<u>Page Number</u>
1317917GT	197				
1317918GT	33				
1317920GT	197				
1317922GT	197				
1318388-4134GT	149				
1318390GT	149				
1318391GT	149				
1318392GT	93				
1318393GT	191				
1318420GT	155				
1318421GT	161				
1318422GT	97				
1318423GT	93				
1318424GT	95				
1318425GT	95				
1318426GT	93				
1318427GT	161				
1318428GT	161				
1318449GT	191				
1318955GT	93				
1318956GT	161				
1318957GT	191				
1319071GT	191				
1320595GT	19				
T09.0805.0070GT	21, 85, 91, 97				

California Proposition 65

 **WARNING**

Operating, servicing and maintaining this equipment, passenger vehicle or off-highway motor vehicle can expose you to chemicals including engine exhaust, carbon monoxide, phthalates, and lead, which are known to the State of California to cause cancer and birth defects or other reproductive harm. These chemicals can be emitted from or contained in other various parts and systems, fluids and some component wear by-products. To minimize exposure, avoid breathing exhaust, do not idle the engine except as necessary, service your equipment and vehicle in a well-ventilated area and wear gloves or wash your hands frequently when servicing your equipment or vehicle and after operation. For more information go to [www.P65Warnings.ca.gov/passenger-vehicle](http://www.P65Warnings.ca.gov/passenger-vehicle).

Breathing diesel engine exhaust exposes you to chemicals known to the State of California to cause cancer and birth defects or other reproductive harm.

- Always start and operate the engine in a well-ventilated area.
- If in an enclosed area, vent the exhaust to the outside.
- Do not modify or tamper with the exhaust system.
- Do not idle the engine except as necessary.

For more information go to [www.P65warnings.ca.gov/diesel](http://www.P65warnings.ca.gov/diesel).